



M9102-AGA-1S and M9104-xGA-1S Series Electric Non-Spring Return Actuators

Installation Instructions

Part No. 34-636-1506, Rev. H
Issued November 2020

Applications

The M9102 and M9104 Series Actuators are direct-mount, non-spring return electric actuators that operate on AC 24 V power. Employing a synchronous motor, these actuators provide floating control (AGA), floating control with automatic shut-off (IGA), and proportional control with selectable 0-10 or 2-10 VDC (GGA).

All models are compact in size, and are easily installed on Variable Air Volume (VAV) boxes, Variable Air Volume and Temperature (VVT) two-position zone applications, or small to medium-sized dampers with a round shaft up to 13 mm in diameter, or a 10 mm square shaft.

The M9102 Series Electric Non-Spring Return Actuators provide a running torque of 2 N·m, and the nominal travel time is 36 seconds at 50 Hz for 90° of rotation.

The M9104 Series Electric Non-Spring Return Actuators provide a running torque of 4 N·m, and the nominal travel time is 72 seconds at 50 Hz for 90° of rotation.

IMPORTANT: Use this M9102 or M9104 Series Electric Non-Spring Return Actuator only to control equipment under normal operating conditions. Where failure or malfunction of the electric actuator could lead to personal injury or property damage to the controlled equipment or other property, additional precautions must be designed into the control system. Incorporate and maintain other devices such as supervisory or alarm systems or safety or limit controls intended to warn of, or protect against, failure or malfunction of the electric actuator.

IMPORTANT: Utiliser ce M9102 or M9104 Series Electric Non-Spring Return Actuator uniquement pour commander des équipements dans des conditions normales de fonctionnement. Lorsqu'une défaillance ou un dysfonctionnement du electric actuator risque de provoquer des blessures ou d'endommager l'équipement contrôlé ou un autre équipement, la conception du système de contrôle doit intégrer des dispositifs de protection supplémentaires. Veiller dans ce cas à intégrer de façon permanente d'autres dispositifs, tels que des systèmes de supervision ou d'alarme, ou des dispositifs de sécurité ou de limitation, ayant une fonction d'avertissement ou de protection en cas de défaillance ou de dysfonctionnement du electric actuator.

Installation

The M9102 and M9104 Series Electric Non-Spring Return Actuators mount directly to the surface in any convenient orientation using a single No. 10 self-drilling sheet metal screw (included with the actuator). No additional linkages or couplers are required. Electrical connections on the actuator are clearly labeled to simplify installation.

IMPORTANT: Do not install or use this M9102 or M9104 Series Electric Non-Spring Return Actuator in or near environments where corrosive substances or vapors could be present. Exposure of the electric actuator to corrosive environments may damage the internal components of the device, and will void the warranty.

Parts included

- One electric non-spring return actuator with an integrated 1.2 m (48 in.) long cable
- One No.10 self-drilling sheet metal screw

Special tools needed

- 8 mm square socket
- #2 Phillips screwdriver
- 10 mm 12-point socket
- Drill with a 8 mm hex nut driver
- Digital voltmeter

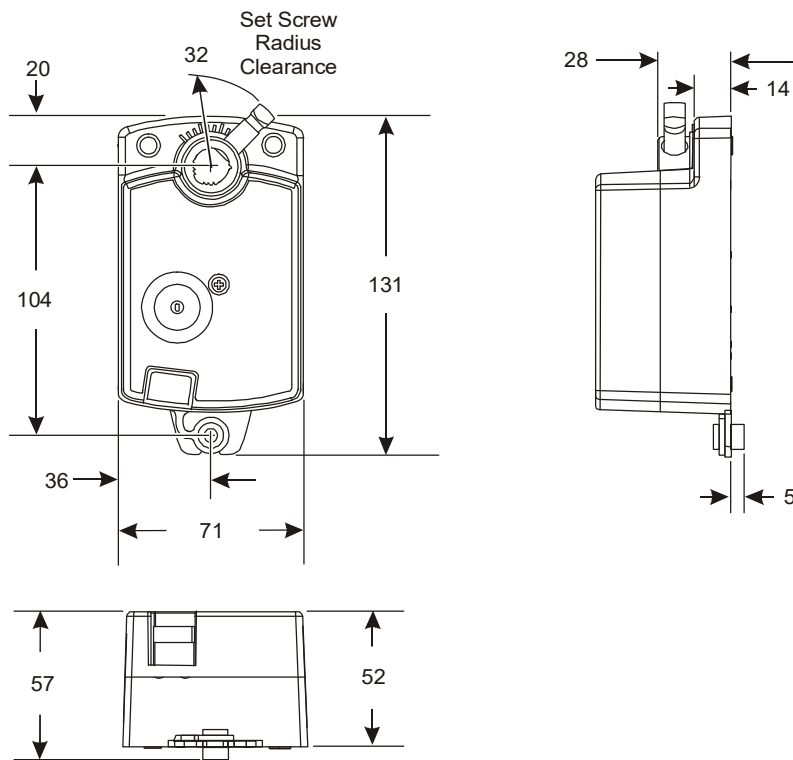


Figure 1: M9102 and M9104 Series Electric Non-Spring Return Actuator dimensions, mm

Mounting

To mount the actuator to a damper:

1. Check that the damper blade is visually accessible, or its position is permanently marked on the end of

the damper shaft, as illustrated in Figure 2.

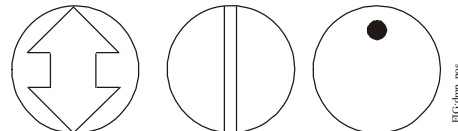


Figure 2: Damper position icons

- Grasp the damper shaft firmly with pliers and rotate the damper fully closed, as illustrated in Figure 3.

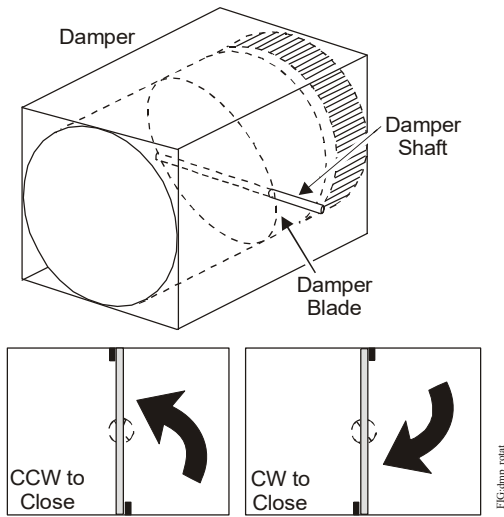


Figure 3: Damper rotation

- Press and hold the gear release lever, and rotate the actuator coupler to the fully closed position.
- Make a note of the rotation range and direction, either Clockwise (CW) or Counterclockwise (CCW), required to close the damper.
- Position the actuator onto the damper shaft so that the damper shaft protrudes through the actuator coupler, as illustrated in Figure 4.

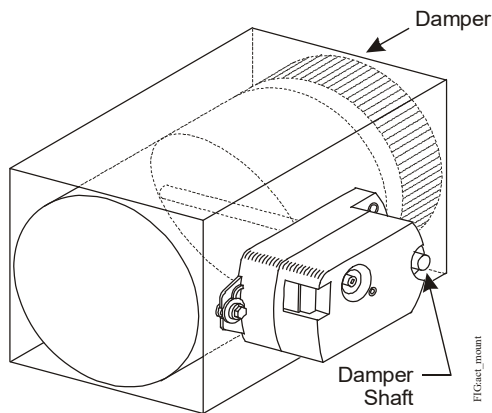


Figure 4: Mounting the actuator onto the damper shaft

- Be certain that the actuator is in the desired mounting position parallel to the mounting surface, as illustrated in Figure 5.

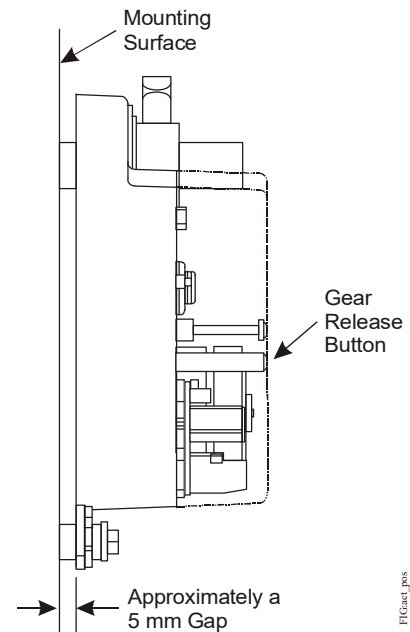


Figure 5: Positioning the actuator

- Hold the actuator in place on the damper shaft, and insert the No. 10 self-drilling sheet metal screw through the shoulder washer as illustrated in Figure 6.

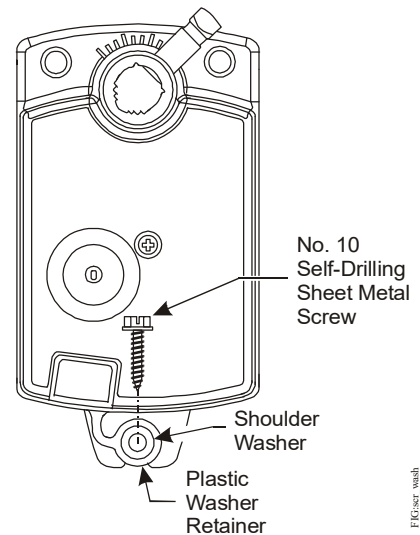


Figure 6: Inserting the screw into the shoulder washer

- Place a 8 mm socket on the screw and use a drill and extension to drill the screw into the mounting surface. Drive the screw until it is tight against the washer.

IMPORTANT: Do not overtighten the mounting screw. Overtightening may strip the threads.

- Tighten the square coupler bolt to the shaft using an 8 mm (5/16 in.) wrench or 10 mm (3/8 in.) 12-point socket. Tighten to 11 to 15 N·m (100 to 130 lb·in).

Wiring

M9102-AGA-1S, M9104-AGA-1S

The M9102 and M9104 Series Electric Non-Spring Return Actuators require an AC 24 V input signal and are compatible with a variety of VAV and VVT controllers. These electric actuators include an integrated 1.2 m (48 in.) long cable. See Figure 7 for proper wiring.

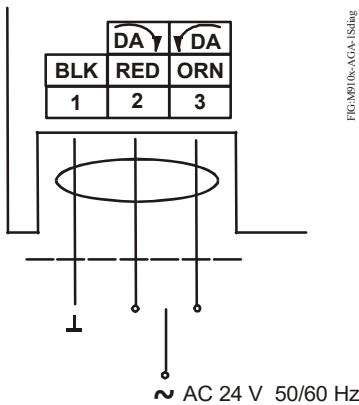


Figure 7: M9102-AGA-1S and M9104-AGA-1S control wiring diagram

Note: When using an AGA model, you must use a VAV or VVT controller and/or software that provides a timeout function at the end of rotation (stall) to avoid excessive wear or drive time on the actuator motor.

M9104-IGA-1S

The M9104-IGA Series Electric Non-Spring Return valve actuators require an AC 24 V input signal and work with a variety of controllers. These electric actuators include an integrated 1.2 m (48 in.) long cable and have an auto-shutoff feature to prevent excessive wear or drive time on the motor. See Figure 8 and Figure 9 for proper wiring options.

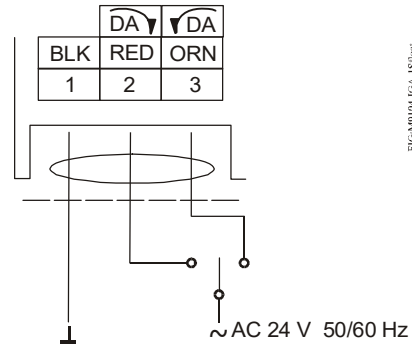


Figure 8: M9104-IGA-1S control wiring diagram - floating

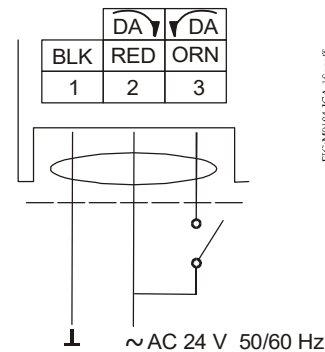


Figure 9: M9104-IGA-1S control wiring diagram - on/off

Note: When using the VA9104-AGA-1S or VA9104-IGA-1S Series actuator with a controller featuring triac output, add a 4.7k ohm resistor one half watt between the Common (COM) and CCW terminals.

M9104-GGA-1S

The M9104-GGA Series Electric Non-Spring Return valve actuators require AC 24 V power and a DC 0(2) to 10 V or DC 0(4) to 20 mA controller input signal. These electric actuators include an integrated 1.2 m (48 in.) long cable. See Figure 10 for proper wiring.

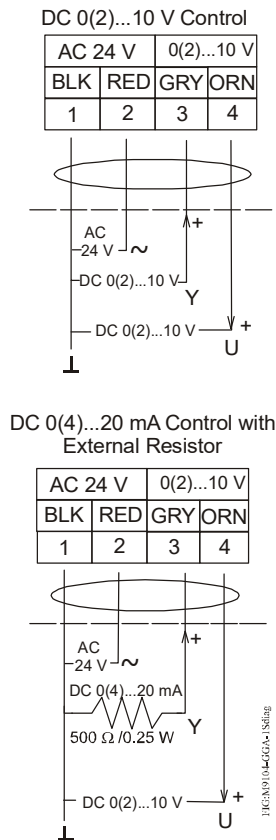


Figure 10: M9104-GGA-1S control wiring diagram

M9104-GGA actuators are factory set for Direct Acting (DA) mode and for a DC 0 to 10 V input control signal. In DA mode, a minimum control signal drives the actuator to the full CCW position, and a maximum control signal drives the actuator to the full CW position.

For Reverse Acting (RA) operation, a minimum control signal drives the actuator to the full CW position and a maximum signal drives the actuator to the full CCW position.

To change the factory settings (DA, 0-10 V), remove the actuator cover and adjust the switches on the circuit board as shown in Figure 12.

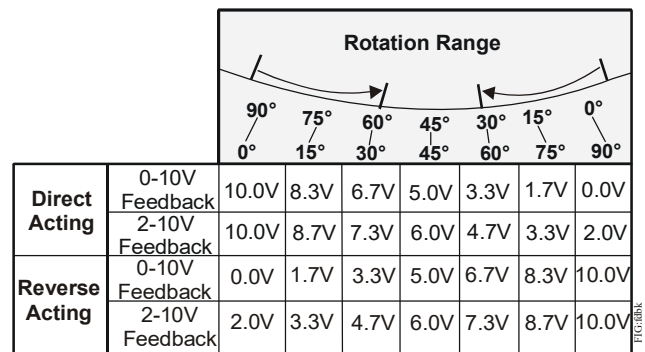


Figure 11: Feedback signal relative to the rotation range

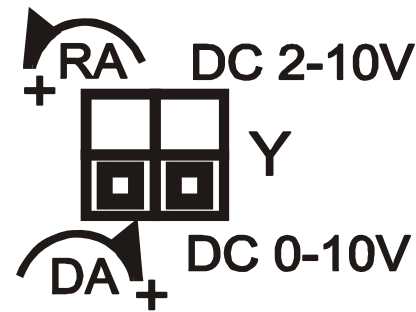


Figure 12: M9104-GGA factory switch setting



CAUTION: Risk of Electric Shock.
Disconnect the power supply before making electrical connections to avoid electric shock.

MISE EN GARDE : Risque de décharge électrique.
Débrancher l'alimentation avant de réaliser tout raccordement électrique afin d'éviter tout risque de décharge électrique.



CAUTION: Risk of Property Damage.
Do not apply power to the system before checking all wiring connections. Short circuited or improperly connected wires may result in permanent damage to the equipment.

MISE EN GARDE : Risque de dégâts matériels.
Ne pas mettre le système sous tension avant d'avoir vérifié tous les raccords de câblage. Des fils formant un court-circuit ou connectés de façon incorrecte risquent d'endommager irrémédiablement l'équipement.

IMPORTANT: Make all wiring connections in accordance with local, national, and regional regulations. Do not exceed the electrical ratings of the M9102 or M9104 Series Electric Non-Spring Return Valve Actuator.

- verify that the actuator assembly is properly secured to the duct
- check that all electrical connections are complete and that power is applied
- verify that the damper fully opens and closes, using the gear release button on the actuator
- check that the actuator stroke is set for the desired application

Setup and adjustments

Commissioning

After wiring is completed, apply power to the VAV or VVT controller and provide input signals to the actuator to drive it at least one complete cycle open and closed.

Troubleshooting

If the M9102 or M9104 Series Electric Non-Spring Return Actuator is not responding or working properly:

Repairs and replacement

If the M9102 or M9104 Series Electric Non-Spring Return Actuator fails to operate within its specifications, replace the unit. For a replacement electric actuator, contact the nearest Johnson Controls® representative.

Technical specifications

M9102-AGA-1S and M9104-xGA-1S Series Electric Non-Spring Return Actuators (Part 1 of 2)

Power requirements	M910x-AGA-1S	AC 24 V +25%/-20% at 50/60 Hz, 2.1 VA, Class 2, Safety Extra-Low Voltage (SELV)
	M9104-IGA-1S	AC 24 V +25%/-20% at 50/60 Hz, 3.0 VA, Class 2, SELV
	M9104-GGA-1S	AC 24 V +25%/-20% at 50/60 Hz, 2.9 VA, Class 2, SELV (Class III)
Control type	M910x-AGA-1S	Floating control without timeout
	M9104-IGA-1S	Floating or on/off control with timeout
	M9104-GGA-1S	Proportional Control
Input signal	M9102-AGA-1S	AC 24 V +25%/-20% at 50/60 Hz, Class 2, SELV
	M9104-AGA-1S	AC 24 V +25%/-20% at 50/60 Hz, Class 2, SELV
	M9104-IGA-1S	AC 24 V +25%/-20% at 50/60 Hz, Class 2, SELV
	M9104-GGA-1S	DC 0 (2) to 10 V or 0 (4) to 20 mA with field furnished 500 ohm resistor
Feedback signal	M9104-GGA-1S	0 to 10 VDC or 2 to 10 VDC for 90° (10 VDC at 1 mA) corresponds to input signal span selection
Motor input impedance		200 ohms Nominal
Running torque	M9102 Series	2 N·m
	M9104 Series	4 N·m
Travel time	M9102 Series	36 seconds at 50 Hz for 90° of rotation
	M9104 Series	72 seconds at 50 Hz for 90° of rotation
Rotation range		93° ±3°, CW or CCW
Cycles		100,000 full stroke cycles; 2,500,000 repositions at rated running torque
Audible noise rating		35 dBA Nominal at 1 m
Electrical connections	M9104-AGA-1S M9104-IGA-1S	1.2 m (48 in.) Polyvinyl Chloride (PVC) cable with 0.75 mm ² conductors (19 AWG) and 6 mm (.25 in.) ferrule ends
	M9104-GGA-1S	1.2 m (48 in.) PVC cable with 0.75 mm ² conductors (19 AWG) and 6 mm (.25 in.) ferrule ends
Mechanical connections		Up to 13 mm diameter round damper shaft or 10 mm square damper shaft
Enclosure		IP42, NEMA 2
Ambient conditions	Operating	-20 to 60°C; 90% RH Maximum, Noncondensing
	Storage	-29 to 66°C; 90 RH Maximum, Noncondensing

M9102-AGA-1S and M9104-xGA-1S Series Electric Non-Spring Return Actuators (Part 2 of 2)

Compliance	United States	UL Listed, CCN XAPX, File 27734 Plenum rated, UL2043, suitable for use in other environmental spaces (plenums) in accordance with section 300.22.(c) of the National Electrical Code
	Canada	cUL Listed, CCN XAPX7, File 27734 Plenum Rated Per CSA 22.2 No. 236/UL 1995, Heating and Cooling Equipment
	Europe	Johnson Controls declares that this product is in compliance with the essential requirements and other relevant provisions of the EMC Directive 2004/108/EC and the Low Voltage Directive 2006/95/EC.
	Australia and New Zealand	C-Tick Mark, Australia/NZ Emissions Compliant
Shipping weight		0.5 kg
Software license		Any software (including firmware) included in or with this product is licensed, not sold. Any Johnson Controls software included in or with this product is subject to the terms of the Johnson Controls End User License Agreement available at https://www.johnsoncontrols.com/buildings/legal/digital/generaleula Any third party software (including open source software, if any) included in or with this product is subject to the terms of its respective license. By using any of the foregoing software, you are also agreeing to be bound to the terms of such licenses.

The performance specifications are nominal and conform to acceptable industry standards. For application at conditions beyond these specifications, consult the local Johnson Controls office. Johnson Controls shall not be liable for damages resulting from misapplication or misuse of its products.



Building Technologies & Solutions
507 E. Michigan Street, Milwaukee, WI 53202

*Metasys® and Johnson Controls® are registered trademarks of Johnson Controls
All other marks herein are the marks of their respective owners. © 2020 Johnson Controls*