

MF40 Butterfly Valve Actuator



The MF40 is a robust, reliable rotary actuator for the control of the VF208W 125-200 butterfly valves. These actuators mount to the VF208W series valves without linkage kits and connect using electrical terminal blocks to simplify and reduce installation time.

Features:

- Models for Floating / Proportional and On/Off control
- Latching Manual override
- Direct Hand Lever / position indicator
- No Linkage kits required

Technical Data

Product	MF40-24F	MF40-24M	MF40-24L	MF40-230F
Description	3-Point Floating, 24V	2-10 V Modulating	LON	3-Point Floating, 230V
Torque (nominal)	Min. 40 Nm at nominal voltage			
Motor Voltage	24Vac±20% 50/60 Hz or 24 Vdc±20%			230 VA -60%/+15%, 50/60 Hz
Power Consumption: Operation	4 W	4.5 W	4 W	5 W
Power Consumption: At Rest	2 W	1.5 W	1.5 W	2 W
Power Consumption: For wire sizing	6 VA	6.5 VA	7 VA	9 VA
Electrical Connection	Terminals 4 mm ² (Cable ø 6... 8 mm, three-core)	Terminals 4 mm ² (Cable ø 6... 8 mm, four-core)	Cable 1 m, 6 x 0.75 mm ²	Terminals 4 mm ² (Cable ø 6... 8 mm, three-core)
Control: Signal	Open/Close or 3-Point,	DC 0 ... 10 V, typical input impedance 100 kΩ		Open/Close or 3-Point,
Control: Operating Range	–	DC 2 ... 10 V		–
Position Feedback (Measuring voltage U)	–	DC 2 ... 10 V, max. 1 mA	DC 2 ... 10 V, max. 0.5 mA	–
Position Accuracy	–	±5%		–
Sound power level	Max. 45 dB (A)			
Operating Time	150 s/90°		90 s/90°	150 s/90°
EMC	CE according to 89/336/EEC			CE according to 89/336/EEC Low voltage directive CE according to 73/23/ EWG
Rated impulse voltage	0.8 kV (to EN 60730-1)			4 kV (to EN 60730-1)
Enclosure	IP 54			
Protection Class	III Extra Low Voltage			II Total Insulated
Max Ambient Temp.	0 to 50°C			

Ordering Information

Control	Voltage	Torque	Part Number	Full Type Designation	Suitable VF208W Valve Sizes
Floating & On/Off	24V AC/DC	40Nm	MF40-24F	MF40-24F-T54 00	DN125-200
Floating & On/Off	230V AC	40Nm	MF40-230F	MF40-230F-T54 00	DN125-200
0(2)-10V Proportional	24V AC/DC	40Nm	MF40-24M	MF40-24M T54 00	DN125-200
LON	24V AC/DC	40Nm	MF40-24L	MF40-24M T1M54 00	DN125-200

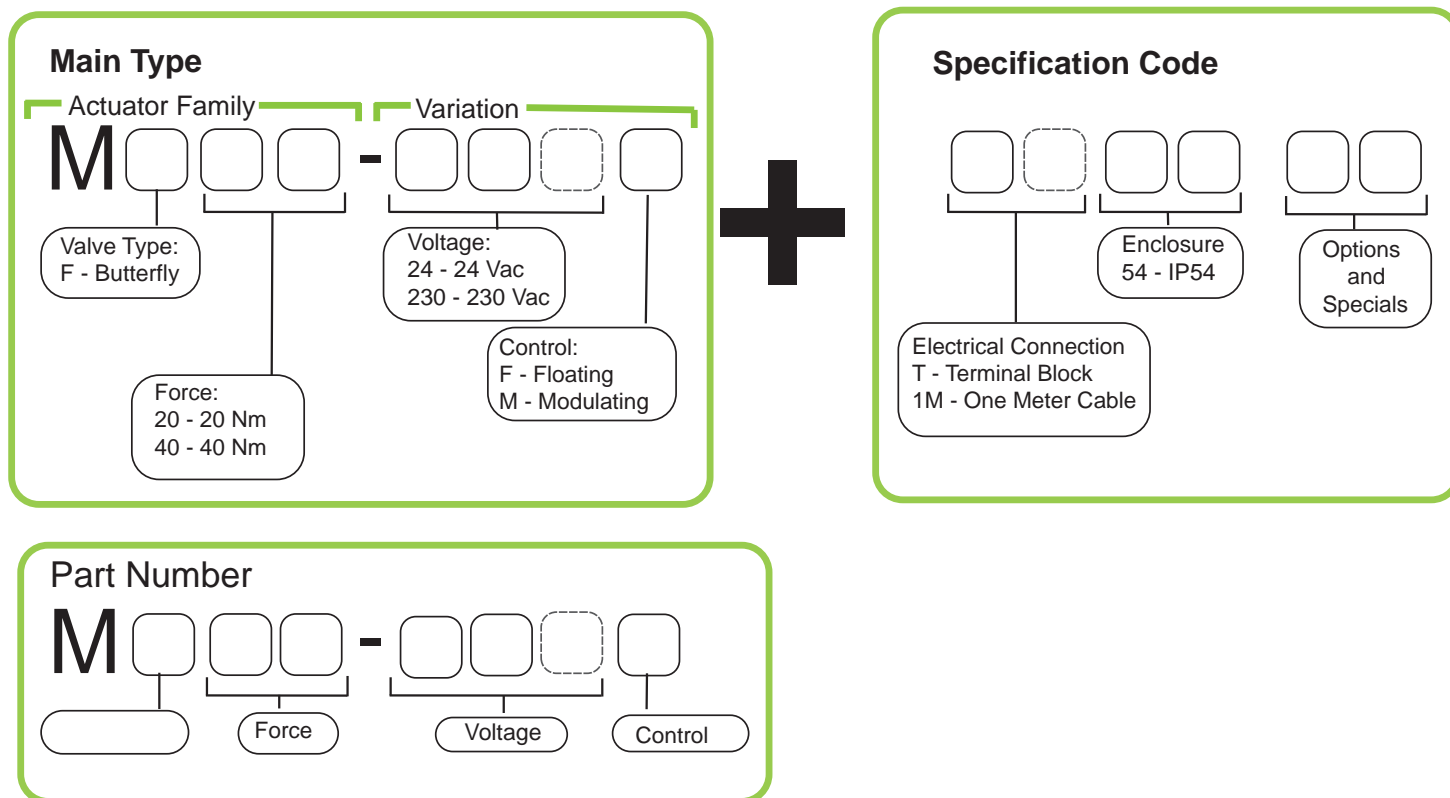
Shaded items are stocked products.

Accessories

Type	Description	Rating	Part Number
MD-S1	1xSPDT auxiliary switch	AC1: 1mA to 3A, 250V (AC3: Max 0.5A)	914-1060-000
MD-S2	2xSPDT auxiliary switch	AC1: 1mA to 3A, 250V (AC3: Max 0.5A)	914-1061-000

Type Designation and Part Number

Type Designation

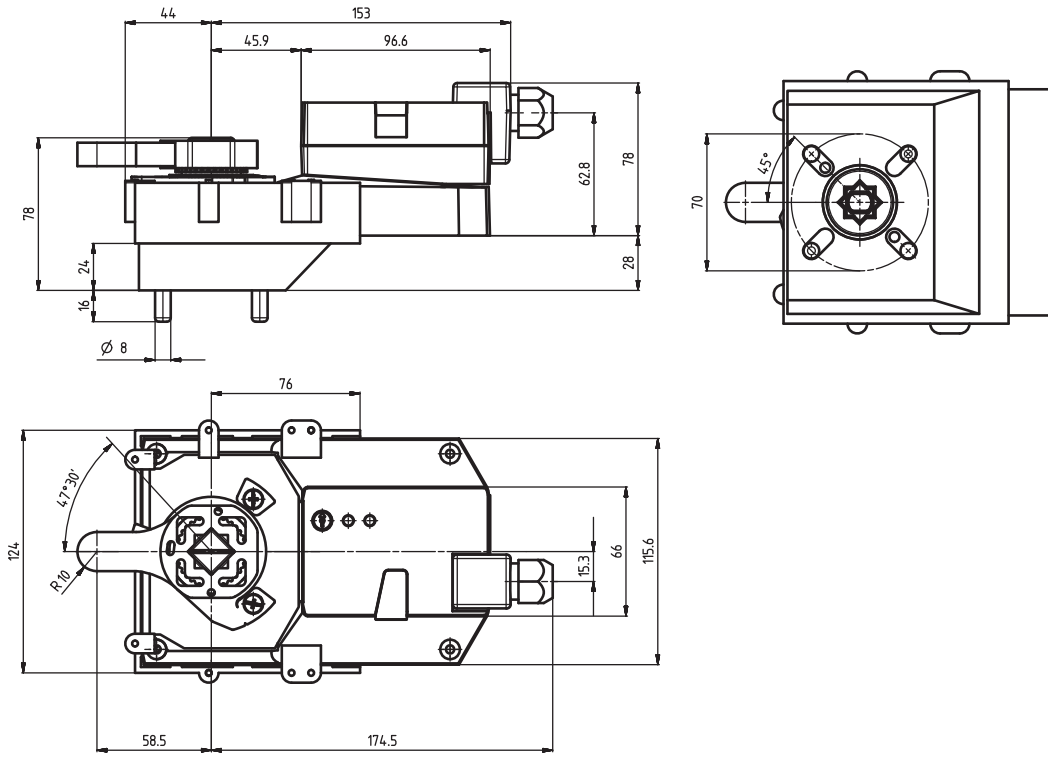


Literature Directory

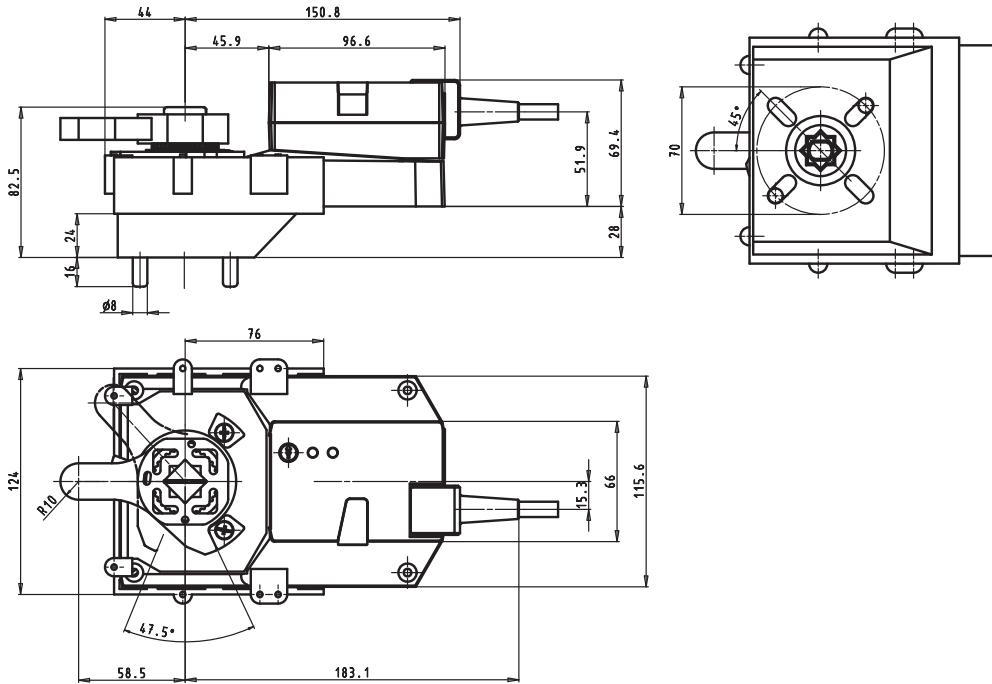
Product	Description	Document Number
VF208W 25-200 DN	DN 25-200 Butterfly valve datasheet	F-27638
VF208W 200-500 DN	DN 200-500 Butterfly valve datasheet	In development
MF20 Actuator	MF20 Datasheet	F-27639
MF20/MF40	Installation Instruction	OFL-4413-000

Dimensions

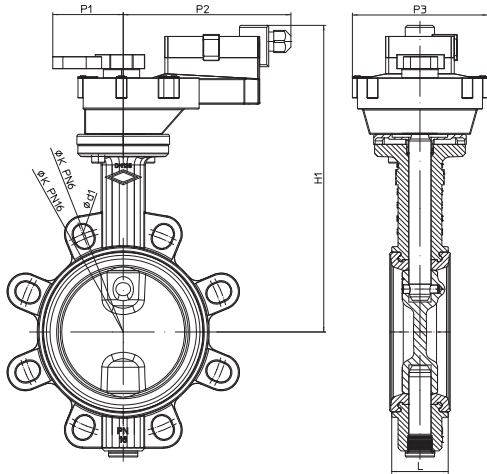
MF40-24F, MF40-24M, and M420-230F



MF40-24L



Assembly Dimensions

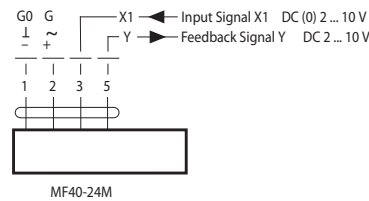
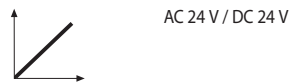
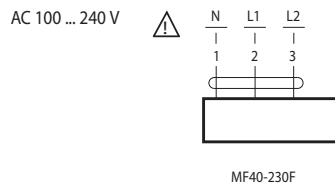
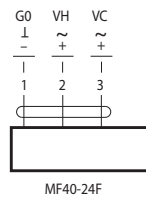
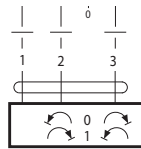
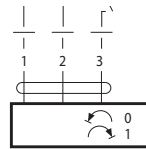
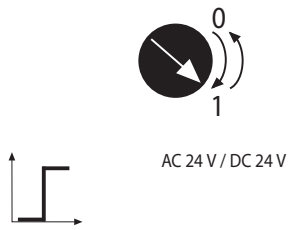


DN	125	150	200
H1	293	309	343
P1	69		
P2	175*		
P3	124		

Dimensions in mm.

* MF40-24L - 184mm

Wiring Diagrams



LONWORKS® AC 24 V / DC 24 V

