

# MV15B



## Product Description

MV15B-24 and MV15B-230 are 3-point floating (increase/decrease) actuators for the control of two-way and three-way globe valves in:

- heating systems
- air handling systems

These actuators are easy to mount and connect. They can be mounted directly onto 20mm stroke Venta control valves, without any mounting kit.

For Satchwell valves, a linkage is included (see Available Products, below).

The working range of the actuator is adjusted automatically by means of switches actuated by a limit torque mechanism. Adjustment depends on the stroke of the valve.

The actuator requires either 24 VAC or 230 VAC supply voltage to operate.

## Available Products

Part Number	Designation	Description
880 0462 000	MV15B-24	Increase/Decrease (3 point floating) 24 VAC
880 0460 000	MV15B-230	Increase/Decrease (3 point floating) 230 VAC
880 0662 000	MV15B-24+L7SV	Increase/Decrease 24 VAC including linkage for Satchwell valves
880 0660 000	MV15B-230+L7SV	Increase/Decrease 230 VAC including linkage for Satchwell valves

## Specifications

### Supply voltage

24 VAC ± 10%, 50-60 Hz or 230 VAC ± 10%, 50-60 Hz

### Power consumption

12 VA

### Transformer sizing

15 VA

### Running speed

0.75 mm/sec

### Running time for 20 mm

27 sec

### Stroke

9-45 mm

### Thrust

1500 N

### Ambient temperature

#### Operation

-15 to +50°C

#### Storage

-25 to +65°C

### Standards

#### Emission

EN 50081-1:1992

#### Immunity

EN 50082-1:1992

#### Heat

IEC-68-2-2

#### Humidity

IEC-68-2-3

#### Cold

IEC-68-2-1

#### Enclosure rating

IP55

### Material

#### Housing

Aluminum

#### Cover

ABS plastic

### Physical

#### Color

Black/grey

#### Weight

2 kg

### Optional auxiliary travel switch, S2-MV15B

#### Type

2x SPDT

#### Load

10 A, AC-1 (inductive), 3 A, AC-3 (resistive)

#### Max. voltage

250 V

## Dimensions (mm)

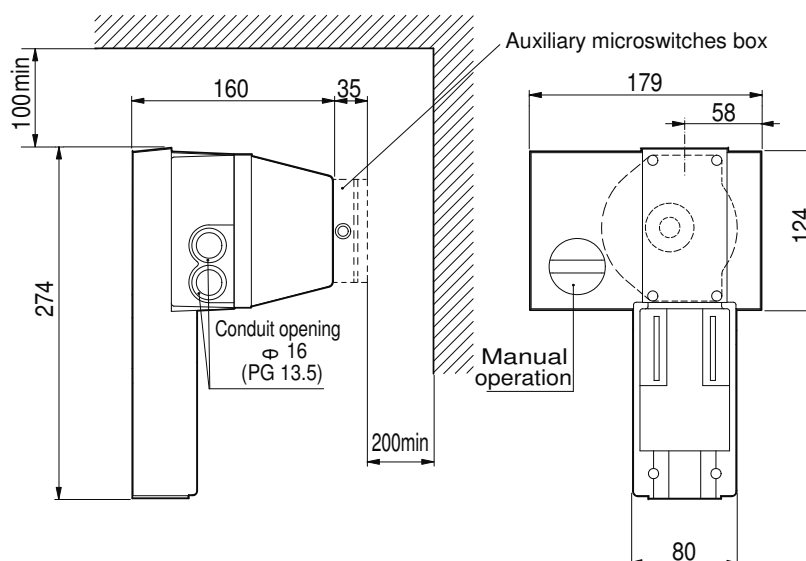


Fig.1

## Function

### The actuator

Actuators are fitted with an asynchronous bidirectional motor.

A torque limit device makes the actuators self-adjusting on valves with a different stroke.

### Manual operation

Power off the actuator before using the manual override knob. Push the knob while turning it.

### Auxiliary switches

An optional external auxiliary microswitch box is available (order separately). It contains two switches that can be registered to switch in any position on the stroke.

## Mounting

The actuator can be mounted in the positions shown in Fig. 2.

For fluids over 150°C avoid mounting the actuator in vertical position on the valve so as to avoid the direct exposure to heat sources.

For valve mounting, follow the assembly instruction inside the package.

### ⚠ WARNING

Hot media hazard. Before removing the actuator from the valve or before opening the valve, ensure that the valve control medium is isolated and relieve the pressure. Work should only be carried out by a competent engineer.

## Maintenance

The actuator is maintenance-free.

## Accessories

S2-MV15B (auxiliary switch)	880 0469 000
L7SV linkage (satchwell valves)	880 0126 000

### Mounting

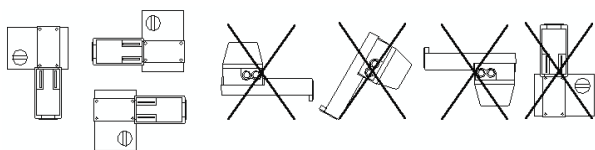


Fig. 2

### Connections

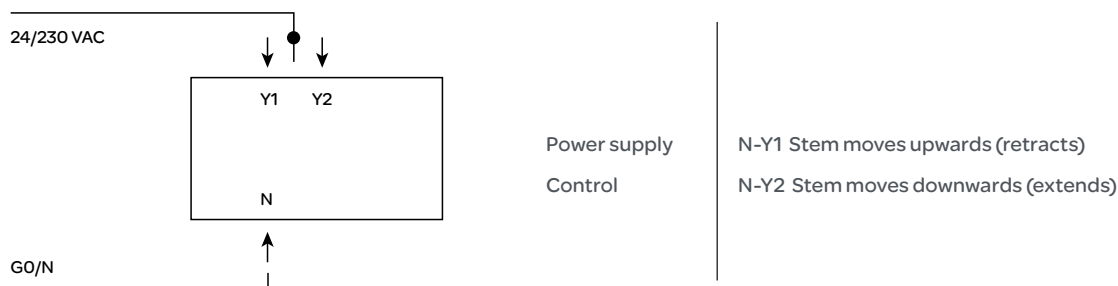


Fig. 3