

MV Series Electronics Control Ball Valve



Summary:

MV series electronics control ball valve is designed to regulate the flow of hot or chilled water and for some models, low-pressure steam in response to the demand of a controller in HVAC system.

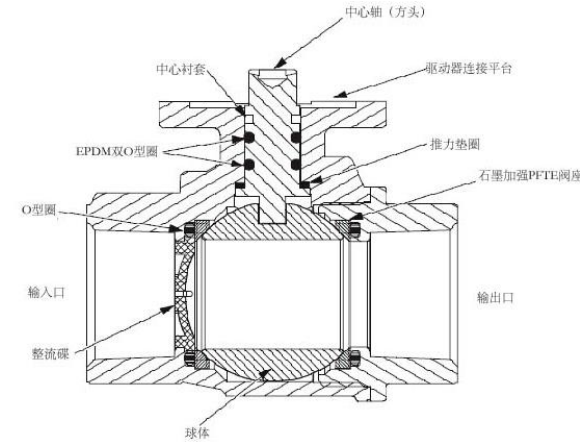
Features and Characteristics:

- 1、 MV series electronics control ball valve wide selection for a variety of applications
 - From DN15 To DN50, NPT Connection
 - 2-way & 3-way, Mix & diversion
 - Maintenance-Free Design
 - Maintains equal percentage flow
 - Adjustable flux proportion
 - Blowout-Proof Stem
 - Different Nominal Diameter Styles can be chosen
 - Control Style With On/Off, Floating, or proportional control
- 2、 MV series electronics control ball valve designed for heavy working pressure and fitting for all kinds of HVAC working system requirements
 - Working Pressure: 4.0Mpa
 - Cut Pressure: 1.4MPa
 - Max Working Different Pressure:0. 35Mpa KG

- Max Static Working Different Pressure:0.25Mpa KG

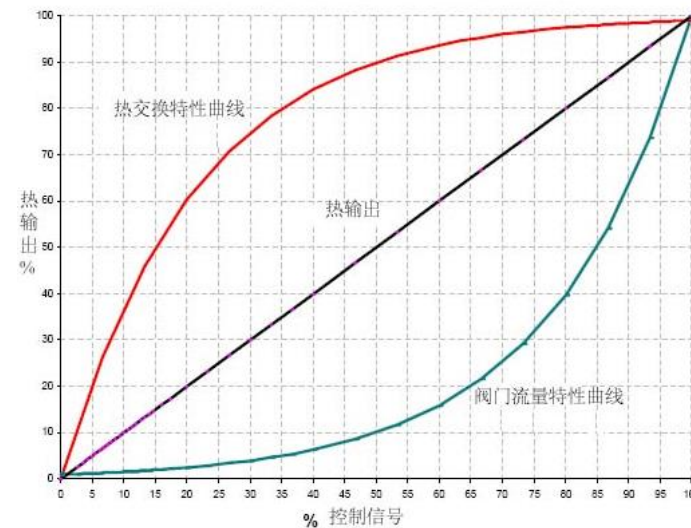
3、 MV series electronics control ball valve provides accurate control under all load conditions

Provides tight shutoff



4、 Forged brass body, Chrome-Plated brass or Stainless Steel ball and stem assembly stand (available)

热输出和控制信号呈线性关系



5、 MV series electronics control ball valve adopt stainless steel core and stem, fitting for all HVAC project applications:

- Working Temperature -5 to 120 °C
- Can be used in 50% Glycol Liquor
- Can be used in 100 kPa Steam
- Can be used in rust water system
-

6、 MV series electronics control ball valve can be connected with the following actuator:

Nominal Diameter	DN15~DN40	DN50
Non-Spring Return	DM-04XN-X	DM-08XN-X

7、 MV series electronics control ball valve as following:

- Hard Rigidity
- Fitting for high or low temperature ambient
- Resist Chemistry Cauterization
- With DM series actuator
-

8、 MV series electronics control ball valve with Poly-Tetra-fluoroethylene (PTFE) Seats and Ethylene-Propylene-Diene-Monomer (EPDM) Double O-Ring Stem Seal

- Supper Resist Abrasion
- Graphite-Reinforced Poly-tetra-fluoroethylene (PTFE) Seats

9、 MV series electronics control valve is available in a wide variety of Cvs to cover a broad range of applications:

- VAV Fan Coil System
- Single air-condition system
- Roof model air-condition system
- Boiler System and Cool water system

Parameter Chart:

Nominal Diameter DN(mm)	DN15	DN20	DN25	DN32	DN40	DN50
Rated Flow Factor Kv	4	6.3	10	16	25	40
Angle Range	0~90°					
Max Different Pressure	0.35MPa					
Close-off Pressure	1.36MPa					
Running Time	See DM Series Damper Actuator					
Electronics Control Valve	On/Off Floating Point	See DM Series Damper Actuator				
	Analogue					

Structure Chart:

Specification	G	L	H	S
DN15	G1/2	75	44	32
DN20	G3/4	75	44	32
DN25	G1	168	94	39
DN32	G1-1/4	175	108.5	49
DN40	G1-1/2	173.3	116.5	45.1
DN50	G2	184.9	136.5	56.8

