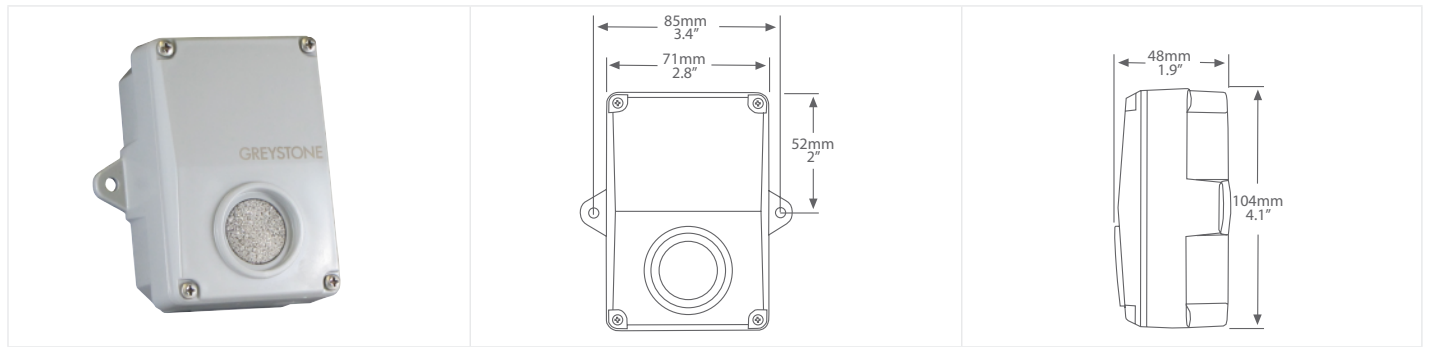




NITROGEN DIOXIDE DETECTOR



NDD5B1100 SERIES

PRODUCT DESCRIPTION

The NDD5B1100 nitrogen dioxide detector uses a superior electrochemical sensor for reliability and accuracy in the most critical applications. The NDD5B1100 provides a 3 wire sourcing 4-20 mA output as well as an alarm relay with three jumper selectable trip level settings.

TYPICAL INSTALLATION

For complete installation and wiring details, please refer to the product installation instructions.

The enclosure should be mounted on a flat surface 1-1.5 m (3-5') from the floor of the area to be controlled. Do not mount the sensor near doors, opening windows, supply air diffusers or other known air disturbances. Avoid areas with vibrations or rapid temperature changes.

ORDERING INFORMATION

NDD5B1100

SPECIFICATIONS

SENSOR TYPE	Electrochemical
SAMPLE METHOD	Diffusion
MEASUREMENT RANGE	0-10ppm
ACCURACY	±0.2ppm or 5% of reading (whichever is greater)
LIFE EXPECTANCY	>2 years
TYPICAL COVERAGE AREA	700m ² (7500ft ²) or 15m (50ft) radius
OPERATING TEMPERATURE	-20 to 50°C (-4 to 122°F)
OPERATING HUMIDITY	15 to 90 %RH (0 to 99% intermittent)
PRESSURE	Atmospheric ±10%
CONSUMPTION	50 mA maximum
OUTPUT SIGNAL	4-20 mA sourcing
OUTPUT DRIVE @ 24 VAC/DC CAPABILITY	550 Ω maximum
RELAY OUTPUT	SPDT, Form C contact (N.O. and N.C.) 5 Amps @ 30 Vdc, p.f. = 1 Trip Point: Low = 1, Mid = 3, High = 5ppm Hysteresis: 3%
WIRING CONNECTIONS	Screw terminal block (14 to 22 AWG)
EXTERNAL DIMENSIONS	71mm W x 104mm H x 48mm D (2.8" x 4.1" x 1.9")
ENCLOSURE RATINGS	Polycarbonate or ABS - UL94-V0, IP65 (NEMA 4X)
FIELD CALIBRATION	By applying calibration gas standards
COUNTRY OF ORIGIN	Canada

WIRING INFORMATION

	<table border="1"> <thead> <tr> <th>TERMINAL</th> <th>FUNCTION</th> </tr> </thead> <tbody> <tr> <td>PWR</td> <td>+24 Vac/dc</td> </tr> <tr> <td>OUT</td> <td>COMMON</td> </tr> <tr> <td>COM</td> <td>4-20 mA Analog Output</td> </tr> </tbody> </table>	TERMINAL	FUNCTION	PWR	+24 Vac/dc	OUT	COMMON	COM	4-20 mA Analog Output
TERMINAL	FUNCTION								
PWR	+24 Vac/dc								
OUT	COMMON								
COM	4-20 mA Analog Output								