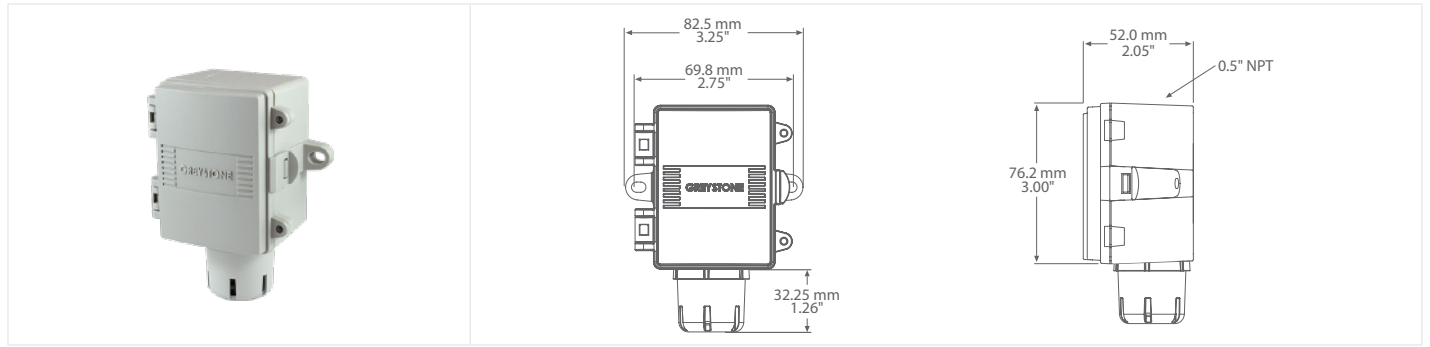




OUTSIDE AIR STATIC PRESSURE PORT



OPV SERIES

PRODUCT DESCRIPTION

The Outside Air Static Pressure Port is used to measure the atmospheric pressure outside of a building. This pressure can be used as a reference when measuring the building static pressure, which is simply the pressure difference between the inside and outside of the building and is typically less than 0.1" W.C.

SPECIFICATIONS

HOSE FITTING	Barbed fitting, min 3/16" ID tubing
AMBIENT OPERATING RANGE	-40 to 50°C (-40 to 122°F), 5 to 95 %RH non-condensing
ENCLOSURE	Polycarbonate, UL94-V0, IP65 (NEMA 4X)
WIRE ACCESS HOLE	Rear entry or top entry hold for conduit or cable gland. 21.83mm (0.859") diameter
COUNTRY OF ORIGIN	Canada

TYPICAL INSTALLATION

For complete installation and wiring details, please refer to the product installation instructions.

The Outside Air Static Pressure Port is used in conjunction with a differential pressure transmitter. Connect the transmitter low pressure port to the probe and the transmitter high pressure port to a suitable pickup within the building to effectively measure the differential pressure between the inside and outside of the building.

ORDERING

PRODUCT	OPVR OPVT	Outside Air Static Pressure Port, Rear Entry Outside Air Static Pressure Port, Top Entry
---------	--------------	---

PART NUMBER

--

NOTE: Greystone Energy Systems, Inc. reserves the right to make design modifications without prior notice.