

Damper actuator in the IP66/67 protective housing for adjusting dampers in industrial plants and in technical building installations

- Torque motor 160 Nm
- Nominal voltage AC 24...240 V / DC 24...125 V
- Control Open/close, 3-point
- with 2 integrated auxiliary switches


Technical data

Electrical data	Nominal voltage	AC 24...240 V / DC 24...125 V	
	Nominal voltage frequency	50/60 Hz	
	Nominal voltage range	AC 19.2...264 V / DC 19.2...137.5 V	
	Power consumption in operation	19 W	
	Power consumption in rest position	6 W	
	Power consumption for wire sizing	with 24 V 19 VA / with 240 V 49 VA	
	Auxiliary switch	2 x SPDT, 1 x 10° / 1 x 0...90°	
	Switching capacity auxiliary switch	1 mA...3 A (0.5 A inductive), AC 250 V	
	Connection supply / control	Terminals 2.5 mm ²	
	Connection protective earth	earth terminal	
	Connection auxiliary switch	Terminals 2.5 mm ²	
	Parallel operation	Yes (note the performance data)	
	Functional data	Torque motor	160 Nm
Inhibiting torque static (voltage-free)		50 Nm	
Direction of motion motor		electronically reversible	
Manual override		hand lever	
Angle of rotation		Max. 95°	
Angle of rotation note		can be limited on both sides with adjustable electrical end stops	
Running time motor		35 s / 90°	
Running time motor variable		30...120 s	
Sound power level, motor		68 dB(A)	
Mechanical interface		Form fit 17x17 mm	
Position indication		Scale plate 0...90	
Safety		Protection class IEC/EN	I protective earth (PE)
		Protection class UL	I protective earth (PE)
	Degree of protection IEC/EN	IP66/67	
	Degree of protection NEMA/UL	NEMA 4X	
	Enclosure	UL Enclosure Type 4X	
	EMC	CE according to 2014/30/EU	
	Low voltage directive	CE according to 2014/35/EU	
	Certification IEC/EN	IEC/EN 60730-1 and IEC/EN 60730-2-14	
	Certification UL	cULus according to UL60730-1A, UL60730-2-14 and CAN/CSA E60730-1:02	
	Certification UL note	The UL marking on the actuator depends on the production site, the device is UL-compliant in any case	
	Mode of operation	Type 1	
	Rated impulse voltage supply	4 kV	
	Rated impulse voltage auxiliary switch	2.5 kV	
Control pollution degree	3		
Ambient temperature	-30...50 °C		
Storage temperature	-40...80 °C		
Ambient humidity	Max. 100% r.H.		
Servicing	maintenance-free		
Mechanical data	Connection flange	F07 (F05 only with accessory)	
	Weight	Weight	
		6.0 kg	

Safety notes



- The device must not be used outside the specified field of application, especially not in aircraft or in any other airborne means of transport.
- Only authorised specialists may carry out installation. All applicable legal or institutional installation regulations must be complied during installation.
- Caution: Power supply voltage!
- The device has a protective earthing. Incorrect connection of the protective earth can lead to hazards due to electrical shock.
- Apart from the connection box, the device may only be opened at the manufacturer's site. It does not contain any parts that can be replaced or repaired by the user.
- The device contains electrical and electronic components and must not be disposed of as household refuse. All locally valid regulations and requirements must be observed.
- To calculate the torque required, the specifications supplied by the damper manufacturers concerning the cross-section, the design, the installation site and the ventilation conditions must be observed.
- The materials used may be subjected to external influences (temperature, pressure, construction fastening, effect of chemical substances, etc.), which cannot be simulated in laboratory tests or field trials. In case of doubt, we definitely recommend that you carry out a test. This information does not imply any legal entitlement. Belimo will not be held liable and will provide no warranty.
- If cables which are not authorised for UL (NEMA) Type 4X applications are used, then flexible metallic cable conduits or suitable threaded cable conduits of equal value are to be used.
- The two switches integrated in the actuator are to be operated either on power supply voltage or at safety extra-low voltage. The combination power supply voltage/ safety extra-low voltage is not permitted.

Product features

Fields of application	The actuator is particularly suitable for utilisation in outdoor applications and is protected against the following weather conditions: <ul style="list-style-type: none"> - UV radiation - Dirt / Dust - Rain / Snow - Air humidity
Mode of operation	The actuator is equipped with a universal voltage feed module that can utilise supply voltages of AC 24...240 V and DC 24...125V.
Parametrisable actuators	The factory settings cover the most common applications. The Belimo Assistant App is required for parametrisation via Near Field Communication (NFC) and simplifies commissioning. Moreover, it provides a variety of diagnostic options. The ZTH EU service tool provides a selection of both diagnostic and setting options.
Simple direct mounting	Simple direct mounting on the damper shaft with form fit insert.
Manual override	The damper can be manually operated using a hand crank. Unlocking is carried out manually by removing the hand crank.
Internal heating	An internal heater prevents condensation buildup. Thanks to the integrated temperature and humidity sensor, the built-in heater automatically switches on/off.
High functional reliability	The actuator is overload protected, requires no limit switches and automatically stops when the end stop is reached.
Flexible signalization	The actuator has one auxiliary switch with a fixed setting (10°) and one adjustable auxiliary switch (0...90°).

Accessories

	Description	Type
Electrical accessories	Connection cable 5 m, A: RJ11 6/4 ZTH EU, B: 6-pin service socket for Belimo device	ZK1-GEN
	Description	Type
Service Tools	Converter Bluetooth / NFC	ZIP-BT-NFC

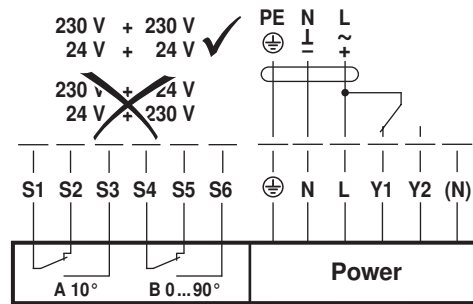
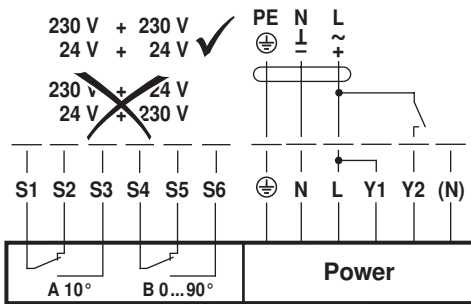
Electrical installation

Notes

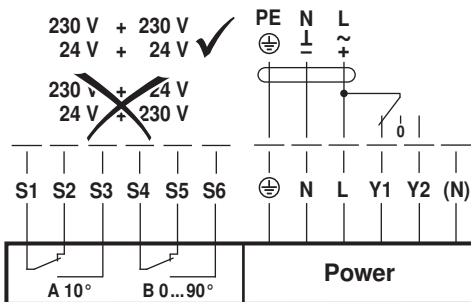
- Caution: Power supply voltage!
- Parallel connection of other actuators possible. Observe the performance data.

Wiring diagrams

AC 24...240 V / DC 24...125 V, open/close, Auxiliary switches



AC 24...240 V / DC 24...125 V, 3-point, Auxiliary switches



Operating controls and indicators

Auxiliary switch settings



Note: Perform settings on the actuator only in deenergised state.

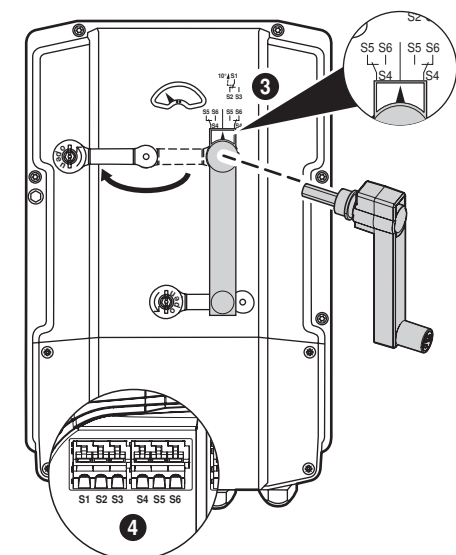
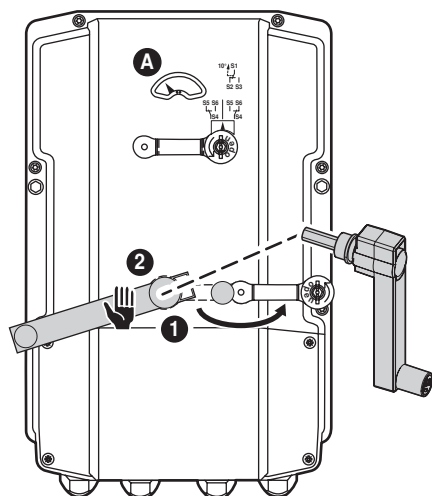
For the auxiliary switch position settings, carry out points 1 to 4 successively.

1 Gear disengagement

Opening the manual override cover and adjusting the hand crank.
Manual override is possible.

2 Manual override control

Turn the hand crank until the desired switching position **A** is indicated and then remove the crank.



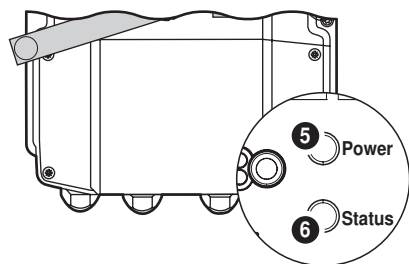
3 Auxiliary switch

For the auxiliary switch position settings, carry out points 1 to 4 successively.
Opening the auxiliary switch adjustment cover and adjusting the hand crank.
Turn the crank until the arrow points to the vertical line

4 Terminals

Connect continuity tester to S4 + S5 or to S4 + S6.
If the auxiliary switch should switch in the opposite direction, rotate the hand crank by 180°.

Push-button and display



5 Push-button and LED display green

Off: No power supply or malfunction
On: In operation
Press button: Triggers test run, followed by standard mode

6 Push-button and LED display yellow

Off: Standard mode
On: Test run active

Service

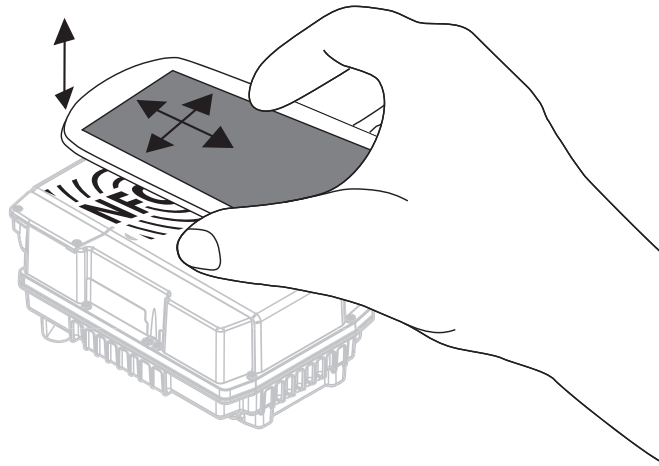
NFC connection Belimo equipment marked with the NFC logo can be operated with the Belimo Assistant App.

Requirement:

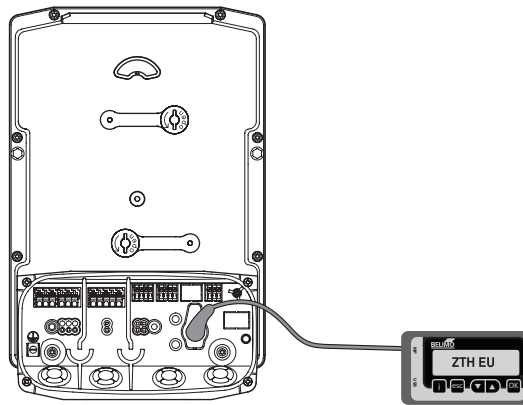
- NFC- or Bluetooth-capable smartphone
- Belimo Assistant App (Google Play & Apple AppStore)

Align NFC-capable smartphone on the actuator so that both NFC antennas are superposed.

Connect Bluetooth-enabled smartphone via the Bluetooth-to-NFC Converter ZIP-BT-NFC to the actuator. Technical data and operation instructions are shown in the ZIP-BT-NFC data sheet.



Service Tools connection The actuator can be configured by the ZTH EU via the service socket.



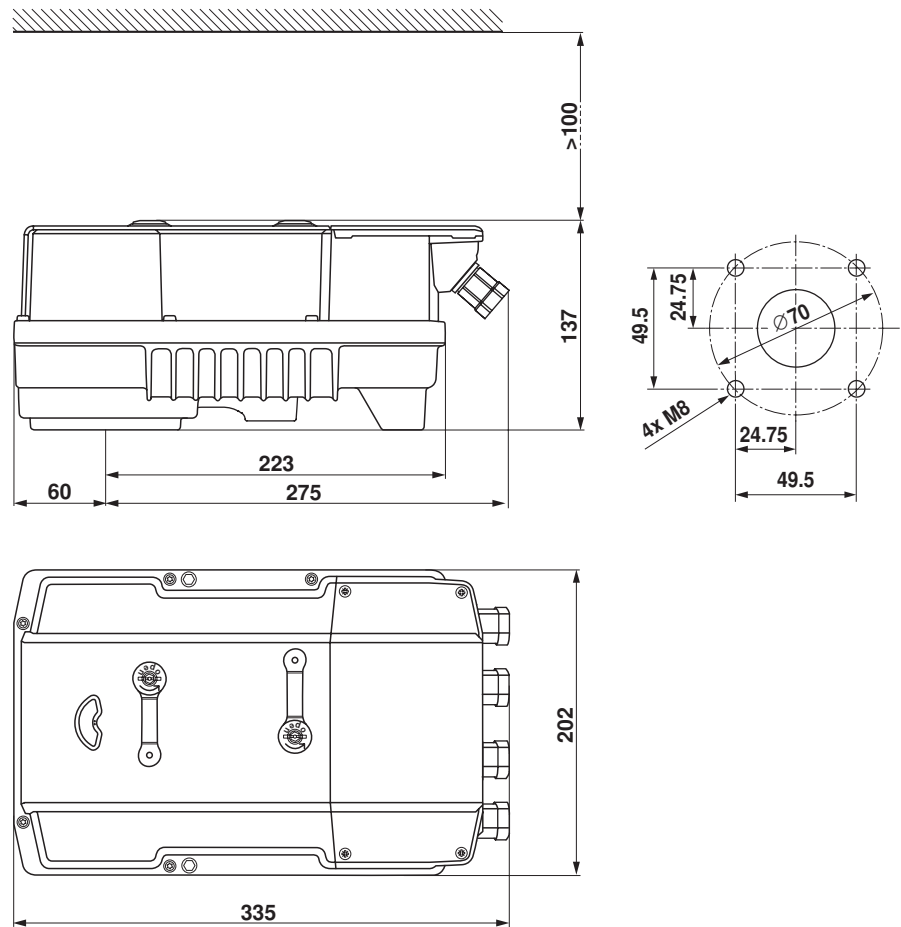
Dimensions [mm]

Spindle length

	-
	22.5...33

17 x 17

Dimensional drawings



Further documentation

- Tool connections
- Installation instructions for actuators