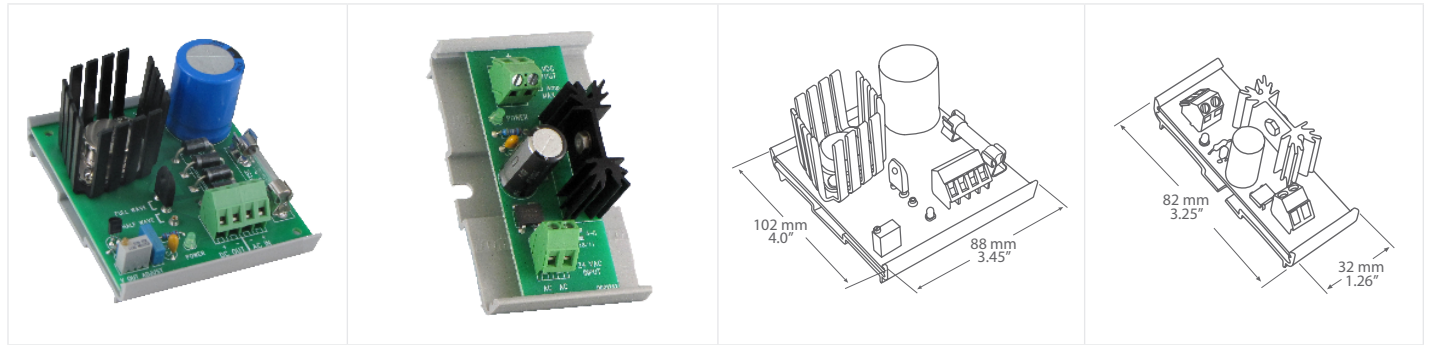




REGULATED DC POWER SUPPLIES



PS SERIES

PS1002 DESCRIPTION

The PS1002 linear power supply accepts a 24 Vac input and outputs a regulated adjustable 24 Vdc to power devices such as humidity or temperature transmitters, gas detectors or loop-powered transducers. The PS1002 is field-selectable for full-wave or half-wave operation to suit various applications and features a power LED to indicate status.

PS1002 SPECIFICATIONS

VOLTAGE INPUT	24 Vac, 50/60 Hz
VOLTAGE OUTPUT	24 Vdc (field adjustable 3-26 Vdc)
CURRENT INPUT	3.5 Amps max. (full-wave) 2.3 Amps max (half-wave)
CURRENT OUTPUT	2.0 Amps max. (full-wave) 1.0 Amps max (half-wave)
LOAD REGULATION	<1% at full rated current
LINE REGULATION	<0.5% at full rated current
OUTPUT RIPPLE	<20 mV at full rated current
INPUT FUSE SIZE	5 Amps (AGC-5)
DEVICE STATUS	Green power ON LED
OPERATING TEMPERATURE	0 to 50°C (32 to 122°F)
OPERATING HUMIDITY	5 to 95 %RH, non-condensing
MOUNTING	Snap track included
DIMENSIONS	102mm L x 88mm W x 43mm H (4.0" x 3.45" x 1.7")
WEIGHT	118gm (4.16oz)
COUNTRY OF ORIGIN	Canada

PS124F DESCRIPTION

The low-cost, dependable linear power supply, PS124F accepts a 24 Vac input and outputs a regulated 24 Vdc to power devices such as gas detectors, humidity or temperature transmitters, and other loop-powered transducers. The device is full-wave rectified so that the AC supply and DC output do not share the same ground.

PS124F SPECIFICATIONS

VOLTAGE INPUT	24 Vac, ±10%, 50/60 Hz
VOLTAGE OUTPUT	24 Vdc (full wave rectified)
CURRENT OUTPUT	0.5 Amps max. (0 to 40°C/32 to 104°F) 0.35 Amps max (40 to 50°C/104 to 122°F)
LOAD REGULATION	1% at full rated current
OVERLOAD PROTECTION	Regulated thermal shutdown
OPERATING TEMPERATURE	0 to 50°C (32 to 122°F)
OPERATING HUMIDITY	5 to 95 %RH, non-condensing
MOUNTING	Snap track included
DIMENSIONS	82.6mm L x 32mm W x 28mm H (3.25" x 1.26" x 1.1")
WEIGHT	50gm (1.76oz)
COUNTRY OF ORIGIN	Canada

ORDERING INFORMATION

PS1002 24 Vac/24 Vdc @ 2 Amps, full-wave or 1 Amp, half-wave (jumper selectable)

PS124F 24 Vac/24 Vdc @ 0.5 Amps, Fixed, full-wave rectified

RoHS
COMPLIANT



Greystone Energy Systems, Inc.
150 English Drive, Moncton,
New Brunswick, Canada E1E 4G7

Ph: +1 (506) 853-3057 Fax: +1 (506) 853-6014
North America: 1-800-561-5611
E-mail: mail@greystoneenergy.com