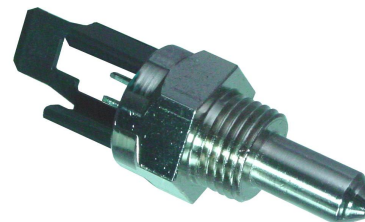




QAK36.095/109



QAK36.596/109

Screwed Immersion Temperature Sensors

QAK36..

with sensing element NTC 10 k Ω

- Temperature sensors for acquiring the medium temperature in boilers, DHW storage tanks and heat exchangers. They screw directly into the threaded hole provided for that purpose
- The QAK36.. and this Data Sheet are intended for use by OEMs which integrate the temperature sensors in their products

Use

QAK36.. temperature sensors:

- With sensing element NTC 10 k Ω for the control or limitation of the flow temperature, or limitation of the return temperature.
- The sensors are suited for use with controllers capable of handling the resistance values delivered by such sensors

Type summary

Type reference	Sensing element resistance	Measuring range	Thread	Material of housing	Time constant *	Tolerance at 0 °C	Immersion y	Type of connector	Packing size/pcs
QAK36.095/109	NTC 10 kΩ B(25/100) 3988 K ± 1 %	-20...110 °C	G1/8"	Nickel-plated brass	4 s	± 1 %	8 mm	AMP Modu 280609-1	100
11.5 mm							Lumberg 2.5 MSF		

- *-τ₆₃ in water at 0.4 m/s
- QAK36.. with NTC 10 kΩ / A-characteristic curve

Ordering

When ordering, please give type reference according to "Type summary".

Example: **QAK36.095/109**

Mechanical design

The standard version of the QAK36.. temperature sensor consists of threaded housing with hexagonal head made of nickel-plated brass or stainless steel, sensing element and connector.

Mounting and installation

The sensor is designed for direct immersion into the medium to be controlled and is to be screwed tight into the threaded hole provided for that purpose. The sealing ring used must be heat-resistant.

Disposal



The device is considered electrical and electronic equipment for disposal in terms of the applicable European Directive and may not be disposed of as domestic garbage.

- Dispose of the device via the channels provided for this purpose
- Comply with all local and currently applicable laws and regulations.

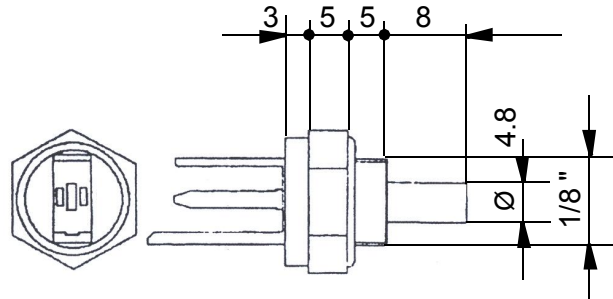
Technical data

For general sensor data, refer to "Type summary"	Perm. ambient temperature	-20...+105 °C
	Short-time	+125 °C
	Electrical connections	Interchangeable
Directives and Standards	Product standard	EN 60730-1
		Automatic electrical controls for household and similar use
	EU conformity (CE)	CE1T1806xx / A5W00040856 *)
Degree of protection	Climatic and mechanical requirements	According to EN 60721-3
	Protection class	III to EN 60730-1

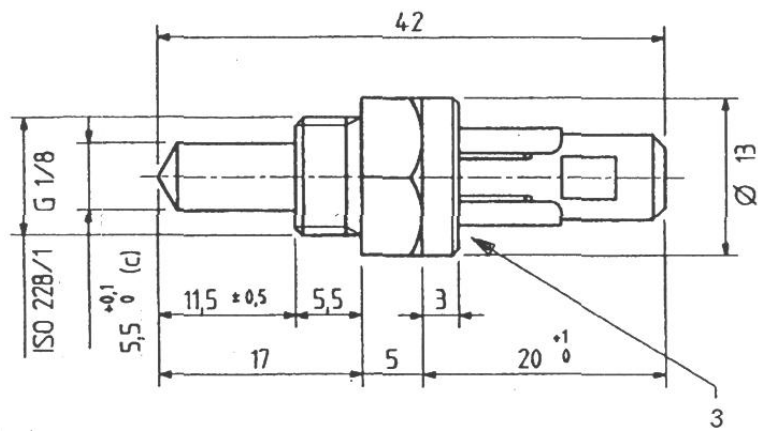
*) The documents can be downloaded from <http://siemens.com/bt/download>.

Dimensions

QAK36.095/109



QAK36.596/109



Published by:
Siemens Switzerland Ltd.
Building Technologies Division
International Headquarters
Gubelstrasse 22
6301 Zug
Switzerland
Tel. +41 58-724 24 24
www.siemens.com/buildingtechnologies

© Siemens Switzerland Ltd 2006
Delivery and technical specifications subject to change