

Characterised control valve, 6-way,
Internal thread

- Two sequences (cooling/heating) with one 90° rotary actuator
- Switching or modulating control on the water side of thermal heating/cooling elements
- For closed cold and warm water systems


Type overview

Type	DN []	Rp ["]	kvs (Sequence 1) [m ³ /h]	kvs (Sequence 2) [m ³ /h]	PN []
R3015-P25-P25-B1	15	1/2	0.25	0.25	16
R3015-P25-P4-B1	15	1/2	0.25	0.4	16
R3015-P25-P63-B1	15	1/2	0.25	0.63	16
R3015-P4-P25-B1	15	1/2	0.4	0.25	16
R3015-P4-P4-B1	15	1/2	0.4	0.4	16
R3015-P4-P63-B1	15	1/2	0.4	0.63	16
R3015-P63-P25-B1	15	1/2	0.63	0.25	16
R3015-P63-P4-B1	15	1/2	0.63	0.4	16
R3015-P63-P63-B1	15	1/2	0.63	0.63	16

Technical data

Functional data	Fluid	Cold and warm water, water with glycol up to max. 50% vol.
	Fluid temperature	6...80°C
	Permissible operating pressure ps	1600 kPa
	Differential pressure Δp_{max}	100 kPa
	Differential pressure note	low-noise operation $\Delta p_{v100} < 50\text{kPa}$
	Flow characteristic	Linear
	Leakage rate	air-bubble tight, leakage rate A (EN 12266-1)
	Angle of rotation	90°
	Angle of rotation note	Sequence 1: 0...30° (Cooling recommended) Dead zone: 30...60° Sequence 2: 60...90° (Heating recommended)
	Pipe connectors	Internal thread according to ISO 7-1
	Installation position	upright to horizontal (in relation to the stem)
	Servicing	maintenance-free
	Materials	Housing
Closing element		Chrome-plated brass
Stem		Brass
Stem seal		EPDM O-ring
Seat		PTFE, O-ring EPDM
Characterizing disk		Brass
Flow rate diaphragms		Brass

Safety notes



- The valve has been designed for use in stationary heating, ventilation and air-conditioning systems and must not be used outside the specified field of application, especially in aircraft or in any other airborne means of transport.
- Only authorised specialists may carry out installation. All applicable legal or institutional installation regulations must be complied during installation.
- The valve does not contain any parts that can be replaced or repaired by the user.
- The valve may not be disposed of as household refuse. All locally valid regulations and requirements must be observed.
- When determining the flow rate characteristic of controlled devices, the recognised directives must be observed.

Product features

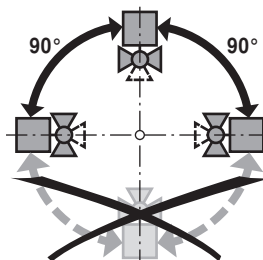
Mode of operation	The 6-way characterised control valve is adjusted by a rotary actuator. The actuator is connected by a modulating control system or a bus signal and moves the ball of the ball valve to the position dictated by the positioning signal. If the valve is adjusted in the clockwise direction (till the end stop), e.g. the cooling sequence is completely enabled; if the valve is adjusted in the counter-clockwise direction (90°), e.g. the heating sequence is completely enabled.
Pressure compensation	In cases of combined heating/cooling control elements, the fluid remains in the control element when in the closed position (no heating or cooling). The pressure of the enclosed fluid can rise or fall due to changes in fluid temperature caused by the ambient temperature. The 6-way characterised control valves have an integrated pressure relief function for the purpose of compensating for such pressure changes. The pressure relief function is active in the closed position (45°) of the valve; reliable separation of Sequences 1 and 2 continues. For additional information, consult the notes for project planning for the 6-way characterised control valve.

Accessories

	Description	Type
Mechanical accessories	Pipe connector for ball valve DN 15 Rp 1/2"	ZR2315
	Insulation shell for valve R3015-...-B1 DN 15	EXT-OC-ZR-C3015
	Fixing bracket for valve R30...-...-B2 DN 15/20	ZR-004

Installation notes

Recommended installation positions The ball valve can be installed upright to horizontal. The ball valve may not be installed in a hanging position, i.e. with the stem pointing downwards.



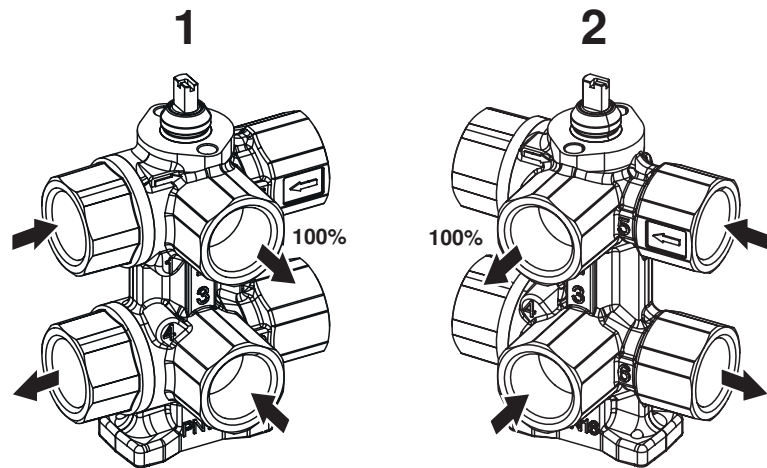
Water quality requirements The water quality requirements specified in VDI 2035 must be adhered to. Belimo valves are regulating devices. For the valves to function correctly in the long term, they must be kept free from particle debris (e.g. welding beads during installation work). The installation of a suitable strainer is recommended.

Installation notes

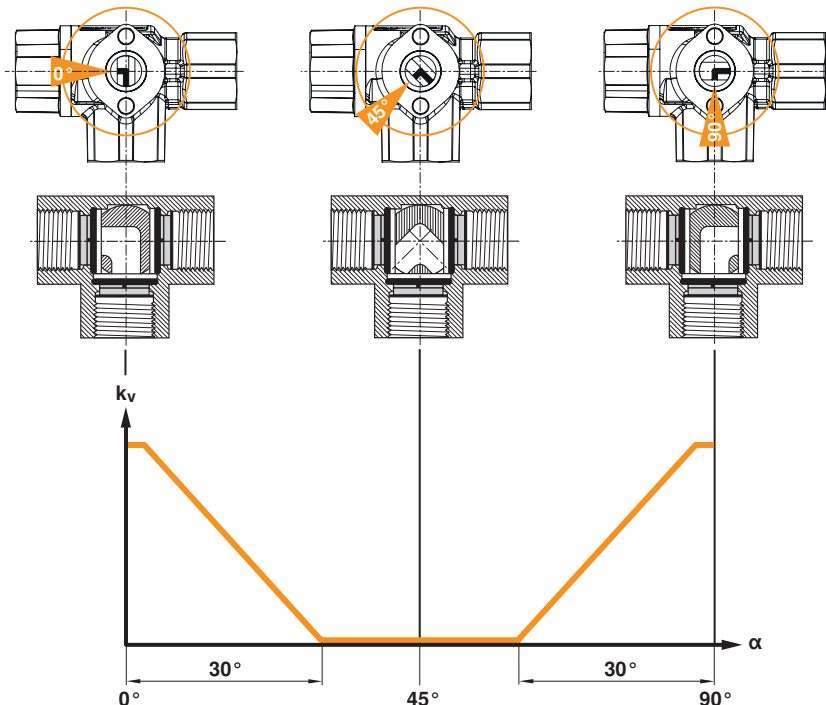
Servicing Ball valves and rotary actuators are maintenance-free. Before any service work on the final controlling device is carried out, it is essential to isolate the rotary actuator from the power supply (by unplugging the electrical cable if necessary). Any pumps in the part of the piping system concerned must also be switched off and the appropriate slide valves closed (allow all components to cool down first if necessary and always reduce the system pressure to ambient pressure level).

The system must not be returned to service until the ball valve and the rotary actuator have been correctly reassembled in accordance with the instructions and the pipeline has been refilled by professionally trained personnel.

Flow direction The flow direction must be observed. The position of the ball can be identified from the L-marking on the stem.



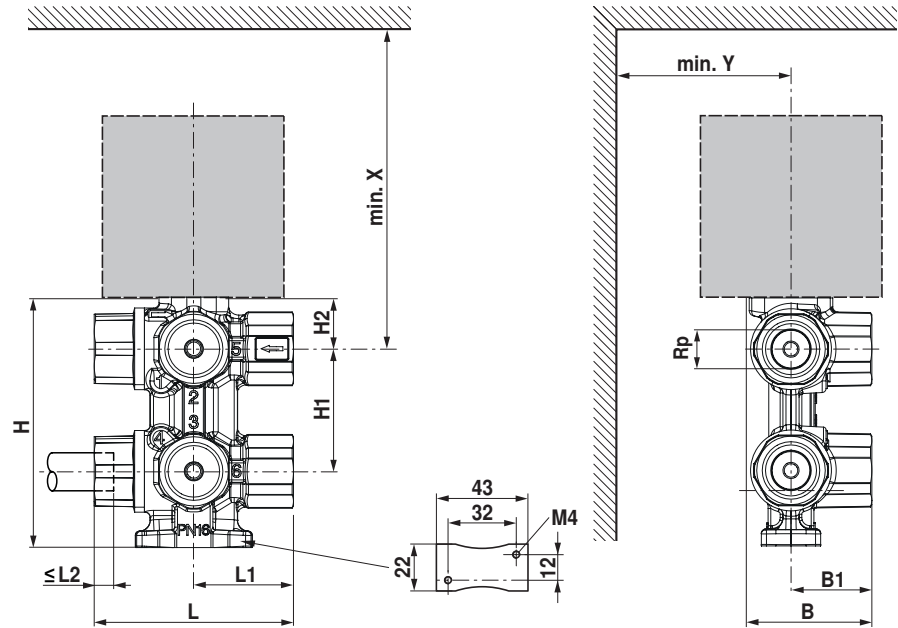
Valve characteristic curve The lower diagram shows the valve characteristic curve in relation to the ball position.



Using an additional flow limiter When using additional flow limiting valves (e.g. PIQCV C2..QP(T)-.. with manual flow rate setting) or an additional pressure-independent control valve (e.g. motorised PIQCV) at the system level, it is not necessary to use the flow characterised disc in the 6-way valve in the system to reduce the kvs value.

Dimensions / Weight

Dimensional drawings



The actuator dimensions can be found on the respective actuator data sheet.

Type	DN []	Rp ["]	L [mm]	L1 [mm]	L2 [mm]	B [mm]	B1 [mm]	H [mm]	H1 [mm]	H2 [mm]	X [mm]	Y [mm]	Weight
R3015-P25-P25-B1	15	1/2	73	36.5	13	45.5	30	92	45	19	150	40	0.7 kg
R3015-P25-P4-B1	15	1/2	73	36.5	13	45.5	30	92	45	19	150	40	0.7 kg
R3015-P25-P63-B1	15	1/2	73	36.5	13	45.5	30	92	45	19	150	40	0.7 kg
R3015-P4-P25-B1	15	1/2	73	36.5	13	45.5	30	92	45	19	150	40	0.7 kg
R3015-P4-P4-B1	15	1/2	73	36.5	13	45.5	30	92	45	19	150	40	0.7 kg
R3015-P4-P63-B1	15	1/2	73	36.5	13	45.5	30	92	45	19	150	40	0.7 kg
R3015-P63-P25-B1	15	1/2	73	36.5	13	45.5	30	92	45	19	150	40	0.7 kg
R3015-P63-P4-B1	15	1/2	73	36.5	13	45.5	30	92	45	19	150	40	0.7 kg
R3015-P63-P63-B1	15	1/2	73	36.5	13	45.5	30	92	45	19	150	40	0.7 kg

Further documentation

- The complete product range for water applications
- Data sheets for actuators
- Installation instructions for actuators and/or ball valves
- Notes for project planning for 6-way characterised control valves