

## SMDNS-30D Series Fire Smoke Damper Actuator

### Summary:

**SMDNS-30D Series Fire Smoke Damper Actuator (Non-spring return) could be used to adjust and control damper in HVAC systems.**

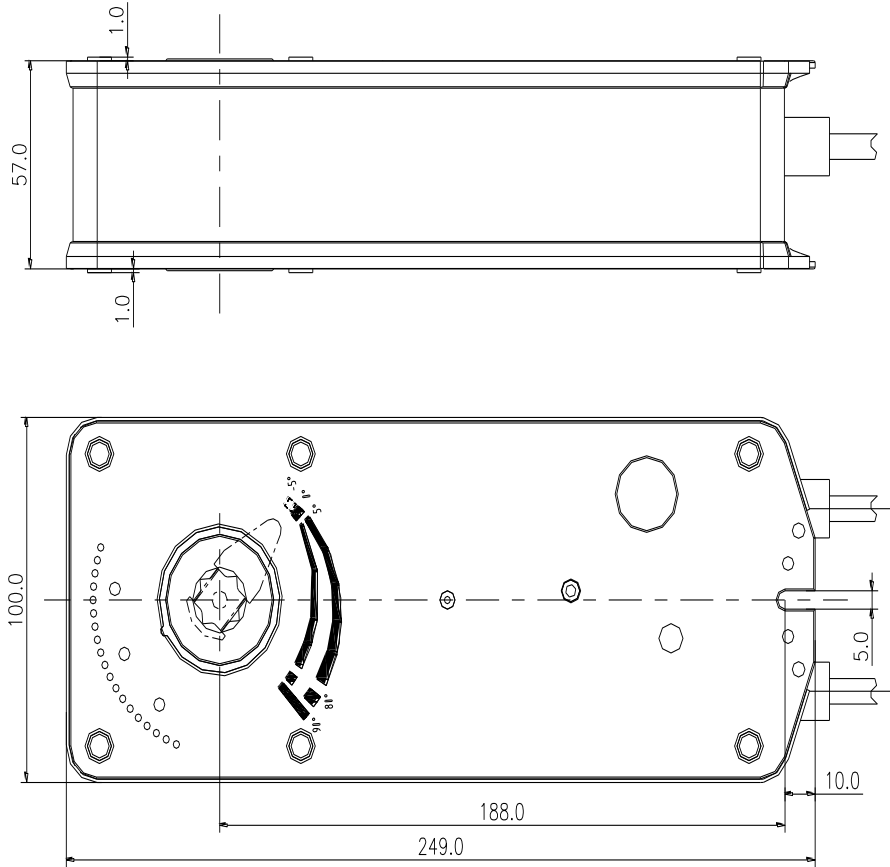
### Feature:

- On or off 2or3 points control by customer choice
- Square shaft: 12×12mm ( at most ).
- 2 SPDT fixed auxiliary switches as standard.
- Manual over ride by crank handle when required.
- Steel housing with anti-shock, compact and stability.
- Permanent sealed housing meets IP 54 standard.
- Selectable direction of rotation by reversing actuator.
- Thermal sensor when requested.

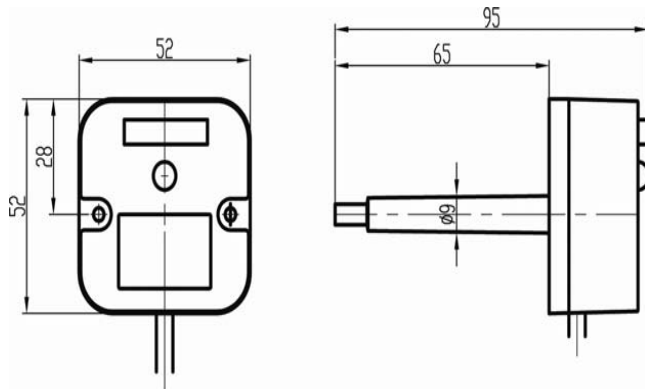
### Technical Data:

Item	Unit	SMDNS-30DF-1	SMDNS-30DF-2
Torque	Nm	30Nm	
Damper size	m <sup>2</sup>	3m <sup>2</sup>	
Running time	sec	Motor running time : ≤120 S	
Power	V	AC/DC24V 50/60Hz	AC230V 50/60Hz
Operating power	W	6W	6.5W
Maintaining Power	W	0.5W	0.5W
For wire sizing	VA	10VA	
Connection Cables		Power: 1m Cable 3*0.75 m <sup>2</sup>	
		Auxiliary switch (F): 1m Cable 6*0.5 m <sup>2</sup>	
		Thermal sensor(S): 1m Cable 2*0.5 m <sup>2</sup>	
Weight	Kg	2	
Control signal		On/Off 2 points or 3 points	
Rotation angle		Max. 95°	
Limited angle		5~85°(per step 5°)	
Auxiliary switch rated value		1mA...3(0.5)A, AC250V	
Noise level		50dB(A) and 62dB(A)	
Protection level		III	II
Protection standard		IP54	
Ambient temperature		-30~+50°C	
Ambient humidity		5~95% RH	
Inventory temperature		-40~+70°C	
Certificate		CE	
Thermal sensor		>72°C	

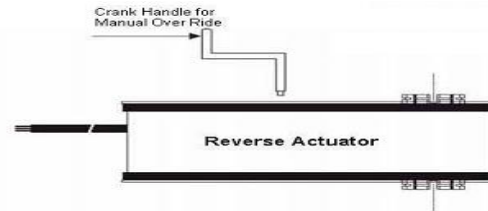
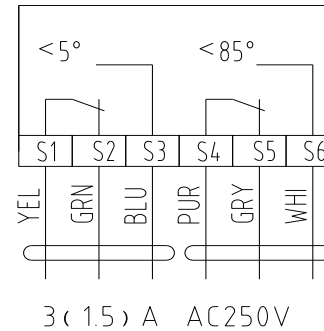
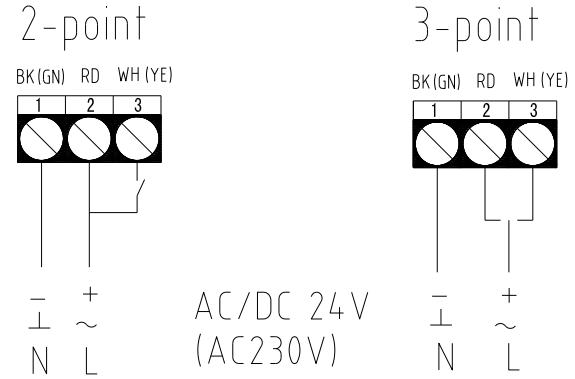
**External Dimension and Installation:**



**72°C Thermal Sensor:**



**Wiring Diagram:**



⚠ AC/DC 24V: Connect via safety isolating transformer.  
AC 230V: To isolate from the main power supply, the system must incorporate a device which disconnects the phase conductors (with a least a 3 mm contact gap)