

Modulating rotary actuator for butterfly valves

- Torque motor 90 Nm
- Nominal voltage AC/DC 24 V
- Control modulating 0.5...10 V
- Position feedback 0.5...10 V
- with 2 integrated auxiliary switches


Technical data

Electrical data	Nominal voltage	AC/DC 24 V	
	Nominal voltage note	AC 24 V for 3-lead connection AC/DC 24 V for 4-lead connection	
	Nominal voltage frequency	50/60 Hz	
	Nominal voltage range	AC 21.6...26.4 V / DC 21.6...26.4 V	
	Power consumption in operation	65 W	
	Power consumption in operation note	incl. heating	
	Power consumption for wire sizing	70 VA	
	Current consumption	2.9 A	
	Auxiliary switch	2 x SPDT, 1 x 3° / 1 x 87°	
	Switching capacity auxiliary switch	1 mA...5 A (3 A inductive), DC 5 V...AC 250 V	
	Connection supply / control	Terminals 2.5 mm ² (Wire 2 x 1.5 mm ² or 1 x 2.5 mm ²)	
	Parallel operation	Yes (note the performance data)	
	Functional data	Torque motor	90 Nm
Operating range Y		0.5...10 V	
Input Impedance		100 kΩ	
Position feedback U		0.5...10 V	
Position feedback U note		Max. 0.5 mA	
Position accuracy		±5%	
Manual override		temporary with handwheel (non-rotating)	
Angle of rotation		90°	
Angle of rotation note		Internal limit switch, not adjustable	
Running time motor		15 s / 90°	
Duty cycle value		75% (= active time 15 s / operating time 20 s)	
Sound power level, motor		70 dB(A)	
Position indication		Mechanically (integrated)	
Safety	Protection class IEC/EN	I protective earth (PE)	
	Protection class auxiliary switch IEC/EN	I protective earth (PE)	
	Degree of protection IEC/EN	IP67	
	EMC	CE according to 2014/30/EU	
	Low voltage directive	CE according to 2014/35/EU	
	Mode of operation	Type 1	
	Control pollution degree	4	
	Ambient temperature	-30...65 °C	
	Storage temperature	-30...80 °C	
	Ambient humidity	Max. 95% r.H., non-condensing	
	Servicing	maintenance-free	
	Mechanical data	Connection flange	F07
		Weight	Weight
		11 kg	
Materials	Housing material	Die cast aluminium	

Safety notes



- This device has been designed for use in stationary heating, ventilation and air-conditioning systems and must not be used outside the specified field of application, especially in aircraft or in any other airborne means of transport.
- Only authorised specialists may carry out installation. All applicable legal or institutional installation regulations must be complied during installation.
- The device does not contain any parts that can be replaced or repaired by the user.
- The device contains electrical and electronic components and must not be disposed of as household refuse. All locally valid regulations and requirements must be observed.

Product features

Mode of operation	The actuator is connected with a standard modulating signal and drives to the position defined by the positioning signal. The measuring voltage U serves for the electrical display of the actuator position 0...100% and as slave control signal for other actuators.
Simple direct mounting	Simple direct mounting on the butterfly valve. The mounting orientation in relation to the butterfly valve can be selected in 90° (angle) increments.
Manual override	The butterfly valve can be closed (turn clockwise) and opened (turn anticlockwise) with the handwheel. The handwheel does not move while the motor is running.
Internal heating	An internal heater prevents condensation buildup.
High functional reliability	Mechanical end stops limit the actuator to -2° and 92°. The internal limit switches interrupt the voltage supply to the motor. In addition, a motor thermostat provides overload protection and interrupts the voltage supply if the actuator is used outside of the specified temperatures.
Combination valve/actuator	Refer to the valve documentation for suitable valves, their permitted fluid temperatures and closing pressures.
Signalling	The integrated auxiliary switches are equipped with a gold/silver coating that permits integration both in circuits with low currents (mA range) and in ones with larger-sized currents (A range) in accordance with the specifications in the data sheet. It should be noted with this application however that the contacts can no longer be used in the milliampere range after larger currents have been applied to them, even if this has taken place only once.

Electrical installation



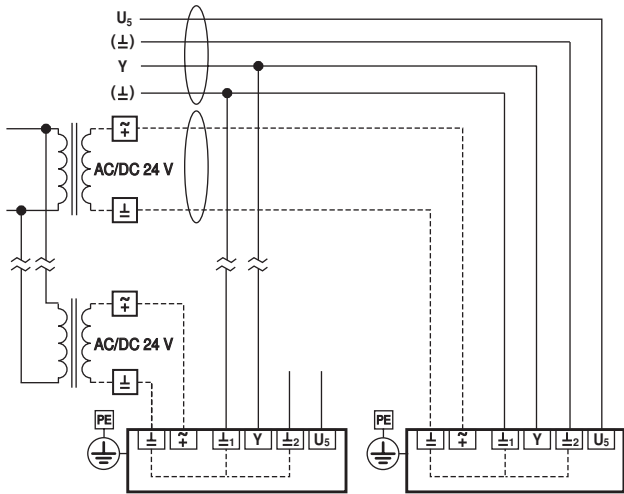
Notes

- Connection via safety isolating transformer.
- Maximum cable length restrictions
- The maximum cable length for supply cables (in wiring diagram shown as dashes) is defined by wire cross-section.
- Maximum cable lengths are in the section General Note seen!
- Parallel connection of other actuators possible. Observe performance data for supply.

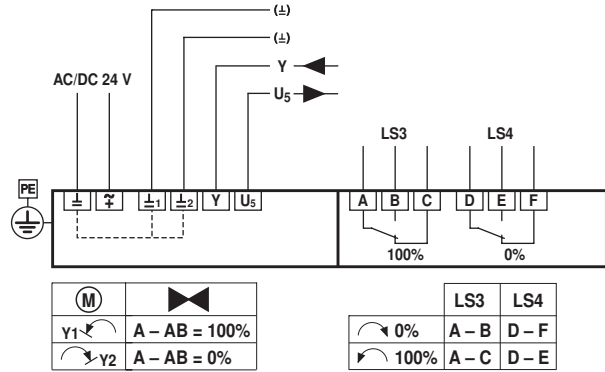
4-lead connection

Electrical installation

4-lead system connection

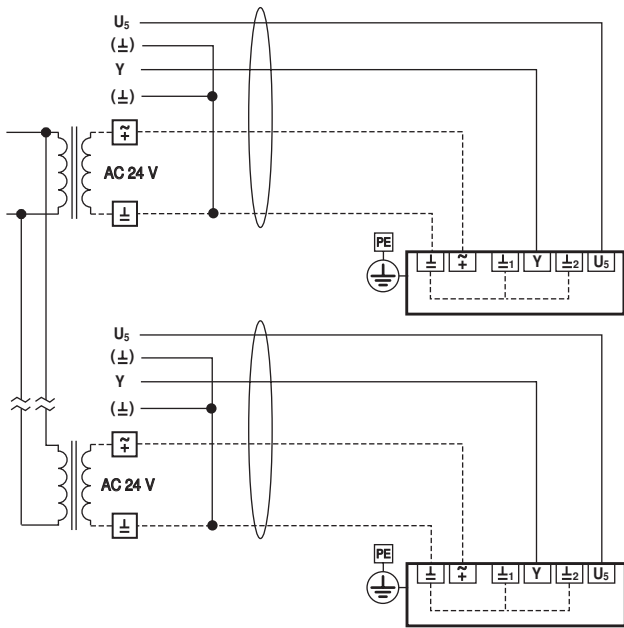


Electrical installation for 4-lead connection

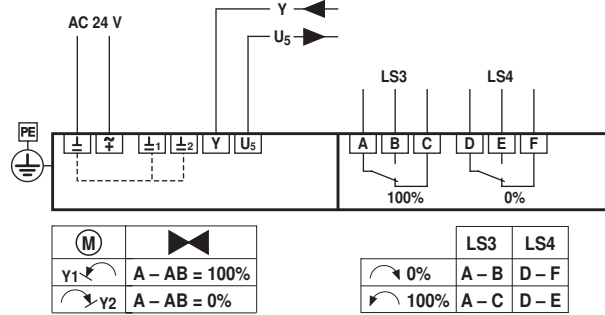


3-lead connection

3-lead system connection



Electrical installation for 3-lead connection



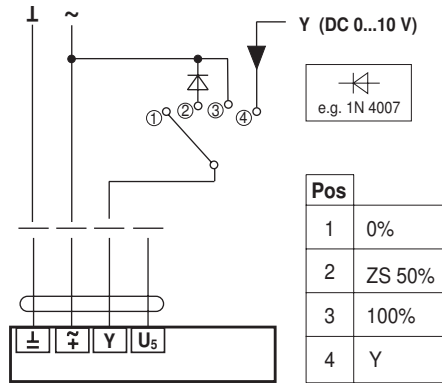
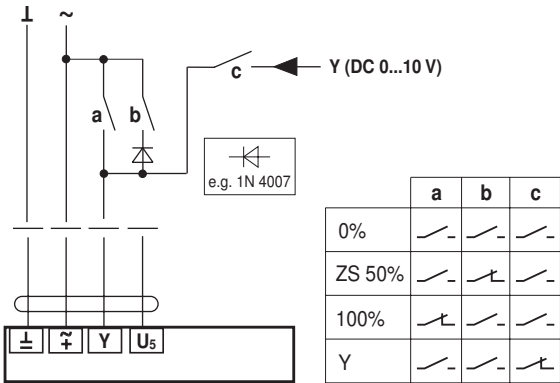
Functions

Functions with basic values (conventional mode)

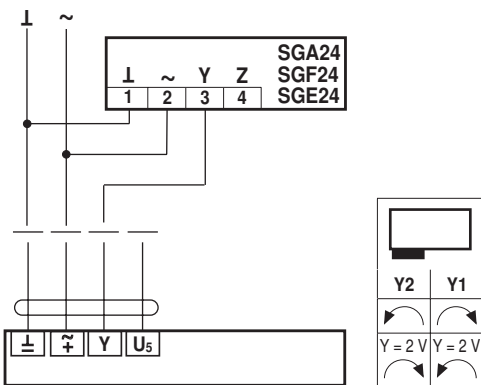
Functions

Override control with AC 24 V with relay contacts

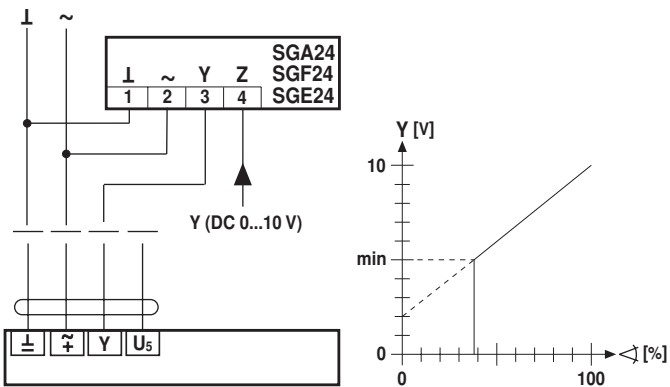
Override control with AC 24 V with rotary switch



Control remotely 0...100% (with positioner)



Minimum limit (with positioner)



General notes

Restrictions for connection technologies	4-lead connection: Signal and power supply have different ground connections 3-lead connection: Signal and power supply have the same ground connection								
Supply voltage restrictions	4-lead connection: AC/DC 3-lead connection: AC only								
Maximum cable length restrictions	The maximum cable length is defined by wire cross-section								
	<table border="1"> <thead> <tr> <th>0.75 mm²</th> <th>1 mm²</th> <th>1.5 mm²</th> <th>2.5 mm²</th> </tr> </thead> <tbody> <tr> <td>12.9 m</td> <td>17.1 m</td> <td>25.7 m</td> <td>42.9 m</td> </tr> </tbody> </table>	0.75 mm ²	1 mm ²	1.5 mm ²	2.5 mm ²	12.9 m	17.1 m	25.7 m	42.9 m
0.75 mm ²	1 mm ²	1.5 mm ²	2.5 mm ²						
12.9 m	17.1 m	25.7 m	42.9 m						
Measuring voltage U5 restrictions	4-lead connection: No limitation 3-lead connection: U5 is stable as soon as the actuator stops								
Positioning signal mA restrictions	4-lead connection: The ground connection must be wired to the actuator with mA control signal 3-lead connection: Not possible								

Cable lengths

Settings



Notes

- Limit switches TC1/TC2 and angle of rotation limitation are provided with sealing varnish and may not be adjusted.

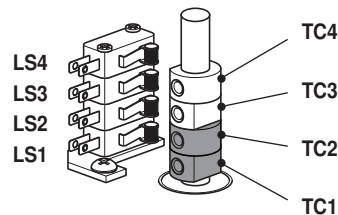
Setting cam

The setting cams for limit and auxiliary switches can be accessed by removing the housing cover.

Optionally, auxiliary switches LS4 / LS3 can be connected for signalling.

Limit switches LS2 / LS1 interrupt the voltage to the motor and are controlled by setting cams TC..

The setting cams turn with the stem. The butterfly valve closes when the stem is turning clockwise (cw) and opens when the stem is turning counterclockwise (ccw).



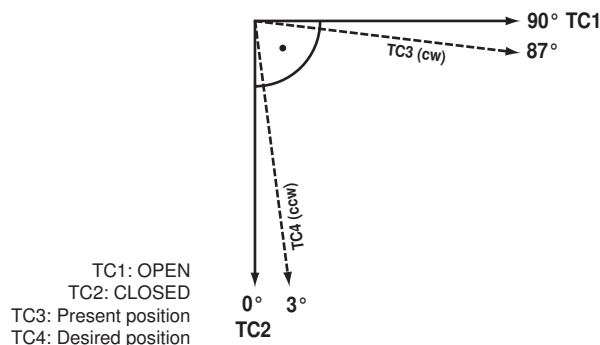
TC1/TC2 with sealing varnish: limit switches are secured against adjustment

Settings of setting cams TC..

- TC4 for auxiliary switch position closed (factory setting 3°).
- TC3 for auxiliary switch position open (factory setting 87°).
- TC2 for limit switch closed (0°).
- TC1 for limit switch open (90°).

Adjusting setting cams

- 1) Use a 2.5 mm Allen key to unscrew the corresponding setting cams TC..
- 2) Turn the setting cam using the Allen key
- 3) Set as shown in the illustration below
- 4) Use the Allen key to tighten the corresponding setting cams



Adaption

An adaption must take place after the TC1 and TC2 have been adjusted.

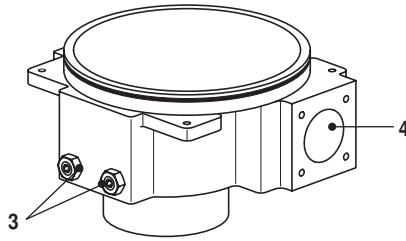
Settings

Mechanical angle of rotation limitation

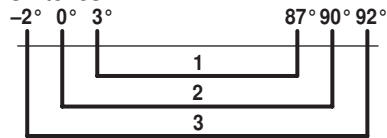
The mechanical angle of rotation (3) is set at the factory to -2° and 92° and cannot be changed.

The handwheel is rotated by means of a worm gear in a planetary gear unit. The gearing is stopped mechanically by means of two setscrews (3).

- 3: Angle of rotation limitation with sealing varnish:
Must not be adjusted
4: Connection handwheel



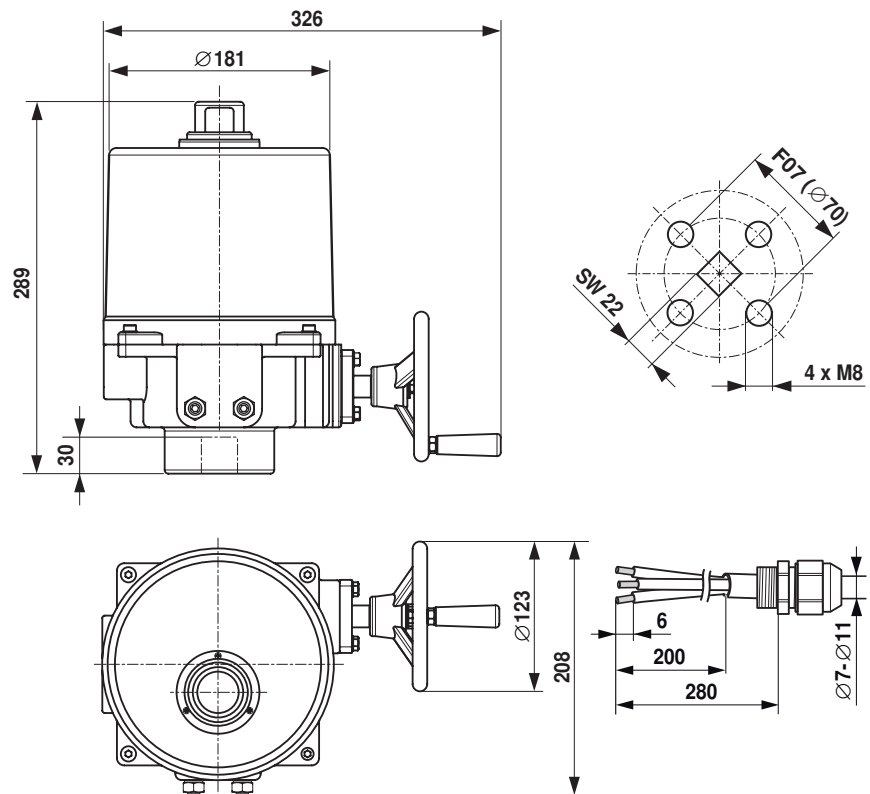
Relationship between mechanical angle of rotation limitation, limit and auxiliary switches



- 1: Auxiliary switch adjustable TC3 / TC4
2: Limit switch fix adjusted TC1 / TC2
3: Mechanical angle of rotation fix adjusted

Dimensions [mm]

Dimensional drawings



Further documentation

- Data sheets for butterfly valves
- Installation instructions for actuators and/or butterfly valves
- Notes for project planning for butterfly valves