

T5000

T5000 LCD Digital Fan Coil Thermostat--More Models



**Integrated professional services
designed for your unique business
need.**

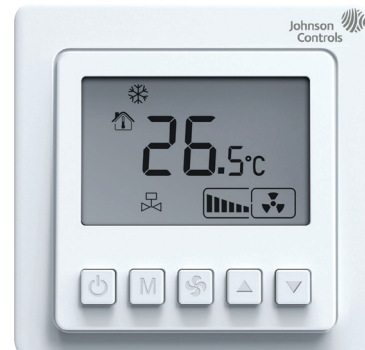
We care about your business and understand that each business has its unique requirements. Our all-encompassing maintenance package is tailor-made to fit your every financial and technical need. It covers from planned routine equipment inspections and predictive maintenance routines to system performance checks and annual shutdowns.



T5000 LCD Digital Fan Coil Thermostat

T5000 LCD Digital Fan Coil Thermostats are designed to control heating, cooling, or year round air conditioning unit in Commercial, Industrial and Residential Installation. Typical Application includes the control of fan coil units, packaged terminal air conditioners and combination heating and cooling equipment. As part of the system that consists of a two-way or three-way valve and a multi-speed line voltage fan.

These aesthetic design thermostat features with Backlit Liquid Crystal Display (LCD); an attractive white color in a compact size complements any decor. The thermostat does not require any battery backup as setpoint and other parameters are stored in non-volatile memory. The intuitive operation makes the thermostat very user-friendly.



T5000 LCD Digital Fan Coil Thermostat

Features and Benefits

Backlit Liquid Crystal Display (LCD)	<ul style="list-style-type: none"> • Industrial Standard Graphical Symbol to eliminate native language interface • Offer Easy-to-Read Real-time control status of the environment, Graphical messages with constant backlight that brightens during user interaction
5 Function Key	<ul style="list-style-type: none"> • Easy-to-Use Interface Keys allow for easy commissioning and adjustment • All-in-One location function keys, Simplified user to change the setpoint and parameter • Molded Industrial Standard Graphical Symbol
Appearance	<ul style="list-style-type: none"> • Attractively-Style Twin-Ring Streamline ABS Plastic Cover and Base • All-in-One Enclosure Design without Protrusion of Power Circuit
Energy Saving	<ul style="list-style-type: none"> • Features with Unoccupied Function • Requires no batteries; EEPROM retains the last events and parameter settings after a loss of power
Installation, Service and Maintenance	<ul style="list-style-type: none"> • Universal Mounting with Standard Wall Box • Quick Replacement to reduce to Downtime of Service Maintenance

Function

Item	Description	T5200-TC-9JS0	T5200-TB-9JS0	T5200-TB-9JR0	T5200-TF-9JS0	T5200-TF-9JR0
User-interface	Backlight (Blue)	■	■	■	■	■
	EN/Icon	■	■	■	■	■
	°C & °F Changeable	■	■	■	■	■
Energy Saving	Ventilation Mode	■	■	■	■	■
	Setpoint Limit	■	■	■	■	■
	Occupied contact with NO/NC options		■			
	Unoccupied setpoints		■			
	Low fan in unoccupancy		■			
Other Functions	Timer on/off	■	■	■	■	■
	Display setpoint only	■	■	■	■	■
	Anti-freezing	■	■	■	■	■
	Key Lock	■	■	■	■	■
	Display temperature calibration	■	■	■	■	■
	Remote temperature sensor			■		■
	Restart function after power failure	■	■	■	■	■

Product Overview

T5000 are line voltage LCD display fan coil thermostat with 3-basic models that cover all type of FCU standalone applications. There are model for cooling only, heating only and heating-cooling fan coil system integrate with 2-Wire or 3-Wire Valve Control. On-board high accuracy NTC sensor allows precision comfort control over occupied space area.

88 x 88mm size allows for 75 x 75 x 35mm standard wall box installation.

Model T5200-TC-9JSO

The Model T5200-TC-9JSO is line voltage LCD display (with Backlit) fan coil unit thermostat that design for cooling only fan coil unit with 2-wire or 3-wire valve actuator application. Integral with System On/Off button that allows user to shutdown the T5000 and cutoff the output power for fan (cutoff the Output power for Valve Actuator). Simply pressing the fan speed button, allows user selection of Auto-High-Med-Low fan speed. All fan output by relay that can withstand max. of 5Amp (Res.) operating current.

The T5000 thermostats come with 12-hours timer that allows user to schedule On-Time or Off-Time for the fan coil depending user needs.

Model T5200-TB-9JSO

The Model T5200-TB-9JSO is line voltage LCD display (with Backlit) fan coil unit thermostat that design for cooling or heating fan coil unit with 2-wire valve actuator application. Integral with System On/Off button that allows user to shutdown the T5000 and cutoff the output power for fan (cutoff the Output power for Valve Actuator). Simply pressing the fan speed button, allows user selection of Auto-High-Med-Low fan speed. All fan output by relay that can withstand max. of 5Amp (Res.) operating current.

The T5000 thermostats come with 12-hours timer that allows user to schedule On-Time or Off-Time for the fan coil depending user needs.

Additional Dry-contact for Occupancy mode that allows better comfort control and to achieve energy cost saving.

Model T5200-TB-9JRO

The Model T5200-TB-9JRO is line voltage LCD display (with Backlit) fan coil unit thermostat that design for cooling or heating fan coil unit with 2-wire valve actuator application. Integral with System On/Off button that allows user to shutdown the T5000 and cutoff the output power for fan (cutoff the Output power for Valve Actuator). Simply pressing the fan speed button, allows user selection of Auto-High-Med-Low fan speed. All fan output by relay that can withstand max. of 5Amp (Res.) operating current.

With remote temperature sensor. While remote sensor is connected, the built-in sensor will be disable automatically.

The T5000 thermostats come with 12 -hours timer that allows user to schedule On-Time or Off-Time for the fan coil depending user needs.

Model T5200-TF-9JSO

The Model T5200-TF-9JSO is line voltage LCD display (with Backlit) fan coil unit thermostat that design for cooling and heating fan coil unit (4-Pipe system) with 2-wire valve actuator application. Integral with System On/Off button that allows user to shutdown the T5000 and cutoff the output power for fan (cutoff the Output power for Valve Actuator). Simply pressing the fan speed button, allows user selection of Auto-High-Med-Low fan speed. All fan output by relay that can withstand max. of 5Amp (Res.) operating current.

The T5000 thermostats come with 12-hours timer that allows user to schedule On-Time or Off-Time for the fan coil depending user needs.

Model T5200-TF-9JRO

The Model T5000-TF-9JRO is line voltage LCD display (with Backlit) fan coil unit thermostat that design for cooling and heating fan coil unit (4-Pipe system) with 2-wire valve actuator application. Integral with System On/Off button that allows user to shutdown the T5000 and cutoff the output power for fan (cutoff the Output power for Valve Actuator). Simply pressing the fan speed button, allows user selection of Auto-High-Med-Low fan speed. All fan output by relay that can withstand max. of 5Amp (Res.) operating current.

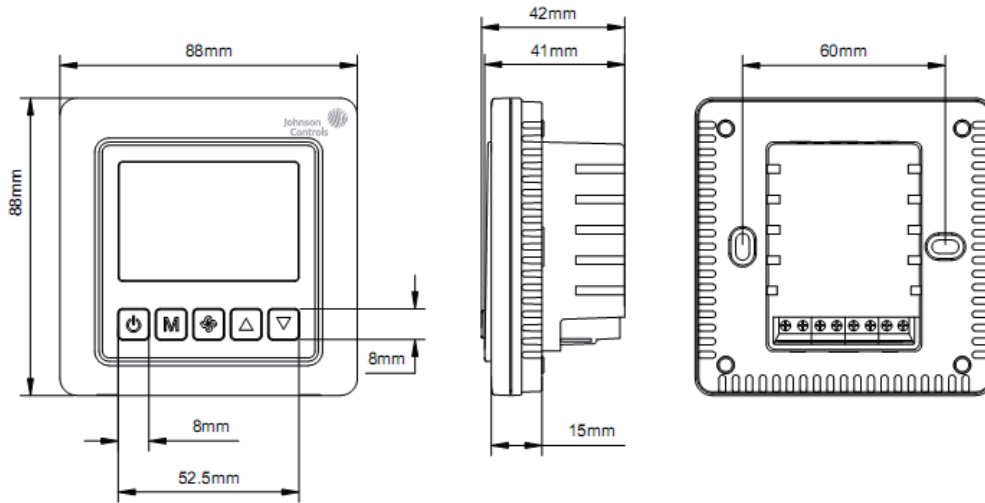
With remote temperature sensor. While remote sensor is connected, the built-in sensor will be disable automatically.

The T5000 thermostats come with 12-hours timer that allows user to schedule On-Time or Off-Time for the fan coil depending user needs.

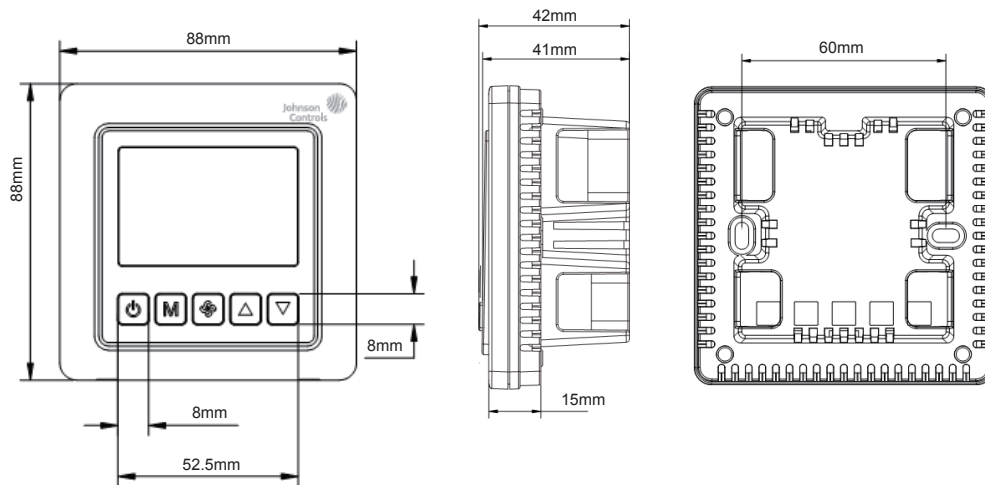
IMPORTANT:

Use this T5000 Series Line Voltage Fan Coil Thermostat only as an operating control. Where failure or malfunction of the T5000 Series Thermostat could lead to personal injury or property damage to the controlled equipment or other property, additional precautions must be designed into the system. Incorporate and maintain other devices such as supervisory or alarm systems or safety or limit controls intended to warn of, or protect against, failure or malfunction of the T5000 Series Thermostat.

Dimensions



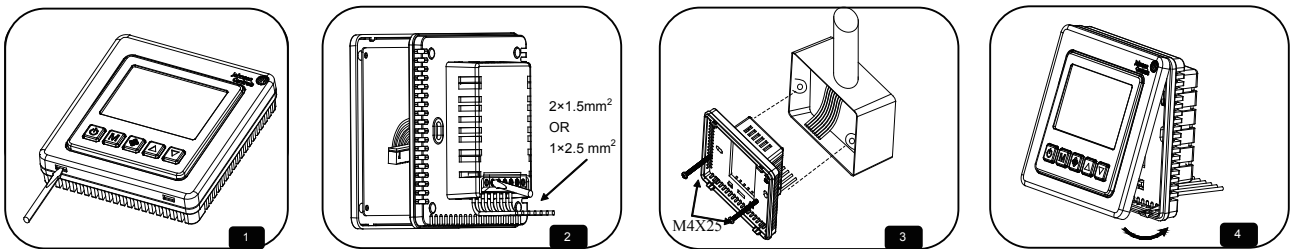
T5200-TC/TB/TF-9JS0、T5200-TB-9JR0 Series Thermostat Dimensions in (mm)



T5200-TF-9JR0 Series Thermostat Dimensions in (mm)

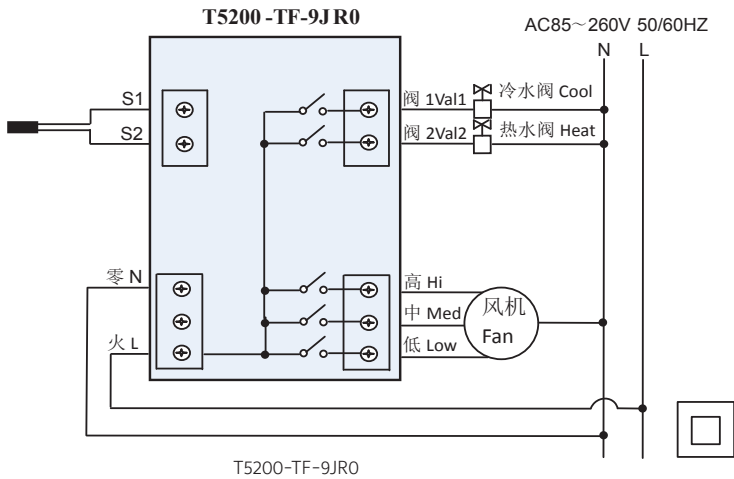
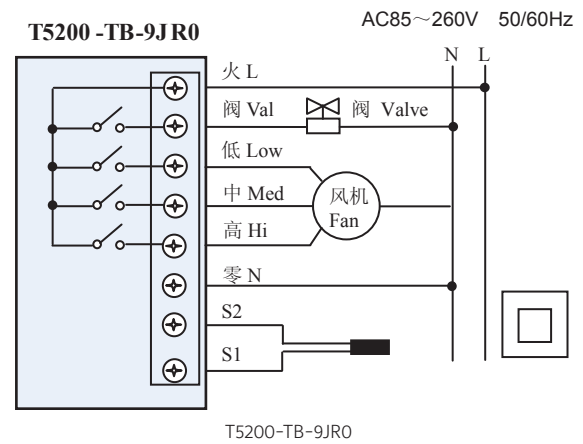
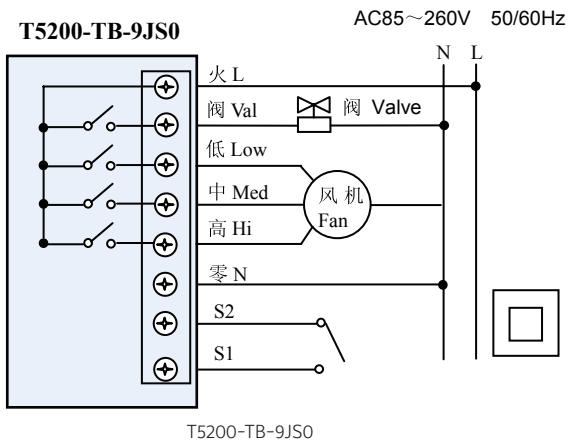
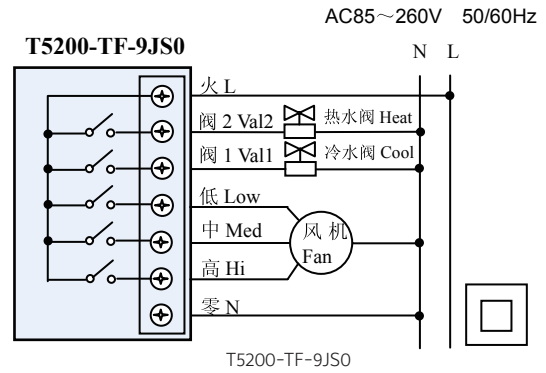
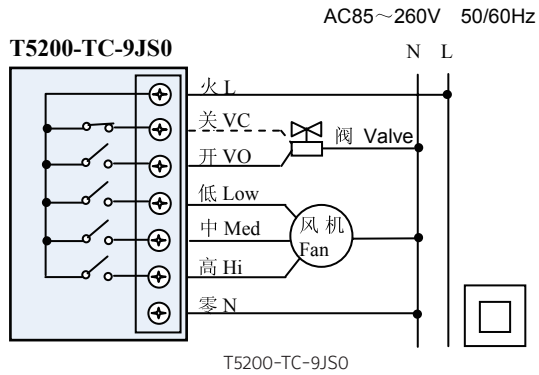
Installation

T5000 thermostats allows for 75 x 75 x 35mm standard wall box installation.



If the thermostat fails to operate within its specifications, replace the unit. To order the replacement, refer to the Order Information section.

Wiring



Ordering Information

To order the replacement T5000 Series thermostat, contact the nearest Johnson Controls® representative. Specify the desired product code number from the Table 1 and Table 2.

IMPORTANT:

The power supply to the thermostat must include overload protection. Failure to include overload protection may result in damage to the thermostat.

Table 1: Model Selection Guide

	T	5	2	0	0	-	T	C	-	9	J	S	0
Power	2	=	AC85-260V										
System	0	=	On-Off	2									
Fan Control	0	=	Auto-Hi-Med-Lo		0								
Temperature Scale	T	=	°C or °F changeable				T						
Application	C	=	Cooling only										
	B	=	2-pipe Heating or cooling					C					
	F	=	4-pipe Heating and cooling										
Color	9	=	White						9				
Logo	J	=	With Johnson Controls Logo								J		
Compliance	S	=	Standard									S	
	R	=	With remote sensor										
Version	0	=	Version										0

Table 2: Model Available

Models	Applications	Occupancy Mode	Remote Sensor
T5200-TC-9JS0	Cooling only	None	None
T5200-TB-9JS0	2-pipe Heating or cooling	Yes	None
T5200-TB-9JR0	2-pipe Heating or cooling	None	Yes
T5200-TF-9JS0	4-pipe Heating and cooling	None	None
T5200-TF-9JR0	4-pipe Heating and cooling	None	Yes

Table 3: Specifications

	T5000 LCD Digital Fan Coil Unit Thermostat	
Product	T5200-TC-9JS0	Backlit LCD Cooling only FCU Thermostat
	T5200-TB-9JS0	Backlit LCD 2-pipe Cooling / Heating FCU Thermostat with Occupancy Contact
	T5200-TB-9JR0	Backlit LCD 2-pipe Cooling / Heating FCU Thermostat with Remote Temperature Sensor
	T5200-TF-9JS0	Backlit LCD 4-Pipe Cooling and Heating FCU Thermostat
	T5200-TF-9JR0	Backlit LCD 4-pipe Cooling and Heating FCU Thermostat with Remote Temperature Sensor
Power Requirements	AC85-260V, 50/60 Hz	
Accuracy	±1°C	
Display Range	0 to 55°C	
Setpoint Range	5-35°C	
Unoccupied Mode	T5200-TB-9JS0 External Voltage-Free Contact Input Signal	
Restart after Power Failure	Three options available, off, on and keep last status	
Remote sensor	T5200-TB-9JR0/T5200-TF-9JR0 with remote temperature sensor, NTC 10K, 1.5m, Max.20m (0.75-1.0mm ²)	
Termination	Screw terminals	
Valve Control	T5200-TC-9JS0 (Cooling only)	2 x Single-Pole, Single Throw (SPST), 5A at 250 VAC (Maximum); Relay Output
	T5200-TB-9JS0 (2-pipe Cooling or Heating)	1 x Single-Pole, Single Throw (SPST), 5A at 250 VAC (Maximum); Relay Output
	T5200-TB-9JR0 (2-pipe Cooling or Heating)	1 x Single-Pole, Single Throw (SPST), 5A at 250 VAC (Maximum); Relay Output
	T5200-TF-9JS0 (4-pipe Cooling and Heating)	2 x Single-Pole, Single Throw (SPST), 5A at 250 VAC (Maximum); Relay Output
	T5200-TF-9JR0 (4-pipe Cooling and Heating)	2 x Single-Pole, Single Throw (SPST), 5A at 250 VAC (Maximum); Relay Output
Fan Control	3 x Single-Pole, Single Throw (SPST), 5A(Res.) at 250 VAC (Maximum); Relay Output for High-Med-Low Fan	
Ambient Operating Conditions	0 to 45°C 90% Non-condensing RH	
Ambient Storage Conditions	-10 to 60°C 90% Non-condensing RH	
Housing Material	PC: UL 94-V0	
Protection Class	IP20	
Dimensions	88 x 88 x 42mm	
Shipping Weight	Appr. 206g	

* When connected, the On/Off switch does not disconnect power to the unit; it only turns off or on the LCD and functions.

Johnson Controls is a global diversified technology and industrial leader serving customers in more than 150 countries. Our 168,000 employees create quality products, services and solutions to optimize energy and operational efficiencies of buildings; lead-acid automotive batteries and advanced batteries for hybrid and electric vehicles; and interior systems for automobiles. Our commitment to sustainability dates back to our roots in 1885, with the invention of the first electric room thermostat. Through our growth strategies and by increasing market share we are committed to delivering value to shareholders and making our customers successful. In 2013, Corporate Responsibility Magazine recognized Johnson Controls as the #14 company in its annual "100 Best Corporate Citizens" list. For additional information, please visit <http://www.johnsoncontrols.com>.

Johnson Controls Building Efficiency delivers products, services and solutions that increase energy efficiency and lower operating costs in buildings for more than one million customers. Operating from 500 branch offices in more than 150 countries, we are a leading provider of equipment, controls and services for heating, ventilating, air-conditioning, refrigeration and security systems. We have been involved in more than 500 renewable energy projects including solar, wind and geothermal technologies. Our solutions have reduced carbon dioxide emissions by 16 million metric tons and generated savings of \$7.5 billion since 2000. Many of the world's largest companies rely on us to manage 1.8 billion square feet of their commercial real estate.

Australia

Tel : +61 (2) 9805 8300
Fax: +61 (2) 9889 3016

China (Shanghai)

Tel : +86 (21) 6276 6509
Fax: +86 (21) 6277 3543

Hong Kong

Tel : +852 2590 0012
Fax: +852 2516 5648

India

Tel : +91 (22) 3082 2200
Fax: +91 (22) 3088 1592

Indonesia

Tel : +62 (21) 5366 8500
Fax: +62 (21) 5366 8300

Japan

Tel : +81 (3) 5738 6100
Fax: +81 (3) 5738 6298

Korea

Tel : +82 (2) 554 5935
Fax: +82 (2) 554 5739

Macau

Tel : +853 2875 1820
Fax: +853 2875 1825

Malaysia

Tel : +60 (3) 7628 4393
Fax: +60 (3) 7620 0538

New Zealand

Tel : +64 (9) 444 6434
Fax: +64 (9) 444 2092

Singapore

Tel : +65 6748 0202
Fax: +65 6284 3017

Thailand

Tel : +66 (2) 717 1260-80
Fax: +66 (2) 717 0861

Asia Engineering Centre: Wuxi, China

Shanghai Distribution Center: Shanghai, China

Asia Centre of Excellence in Engineering (CoEE): Beijing, China · Mumbai & Pune, India

Manufacturing/Assembly: Guangzhou & Wuxi, China · Pune, India

