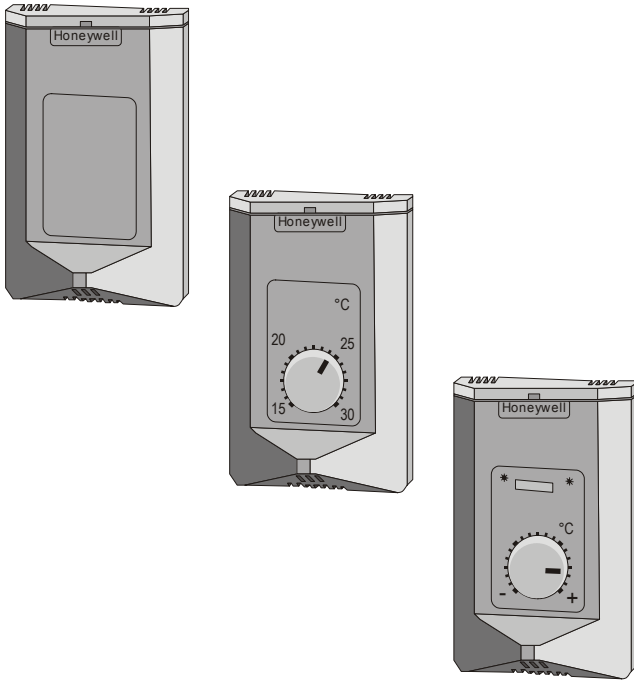


T7412A,B,C,D,E ROOM TEMPERATURE SENSOR

PRODUCT DATA



GENERAL

The T7412A,B,C,D,E Room Temperature Sensors are used for room temperature measurement and remote control-point adjustment (CPA) or remote setpoint adjustment (SPA) in heating, ventilating and air conditioning systems.

Models are available with PT1000, PT100, NTC 20k Ω , or BALCO 500 sensing elements and with or without remote control or setpoint adjustment.

They are suitable for the following control systems:

- Excel IRC
- Excel Plus and High Performance Excel Plus
- Excel EMC
- Excel 5000
- Excel Classic
- MicroniK 100 and MicroniK 200

or other systems using PT1000, PT100, NTC 20k Ω , or BALCO 500 sensing elements.

As a passive product, this sensor is not subject to the requirements of CE.

FEATURES

- PT1000, PT100, NTC20k Ω , or BALCO 500 temperature sensing element
- Sensing range 0...50 °C (32...122 °F)
- High-precision sensor elements
- Attractive housing
- Occupied/unoccupied slide switch
- Fan speed switch
- Push-button for time extension or other purposes and LED for status indication

SPECIFICATION

Ambient Limits

Operating temperature	0...50 °C (+32...+122 °F)
Transport and storage temp.	-25...+70 °C (-13...+158 °F)
Humidity	5...95%rh, non-condensing

Safety

Protection class	II
Protection standard	IP30
Flame retardant housing	V0
Housing	Plastic (ABS)
Dimensions (H x W x D)	130 x 80 x 34 mm (5.12 x 3.15 x 1.34")
Weight	100 g
Mounting	Wall, surface, or European outlet box

Connections

Screw terminals	for 2x1.5 mm ² conductors
-----------------	--------------------------------------

Potentiometer/Switches

CPA/SPA potentiometer circuit	see Fig. 1 on page 3
Occupancy switch or extend push-button	Potential-free contact

Occupancy

- occupied	closed < 100 Ω
- unoccupied	open > 40k Ω
Fan speed switch	Resistor Network
- auto-OFF-I-II-III	

Temperature Sensor

Sensing element	PT1000, PT100, BALCO 500, NTC 20kΩ
Characteristic	see EN0B-0476GE51 for characteristic
Sensing range	0...+50 °C (+32...+122 °F)
Response time	$\tau_{0.5} \approx 2.5$ min
Resistance	
PT1000	1000Ω at 0 °C
PT100	100Ω at 0 °C
BALCO 500	500Ω at 23.3 °C
NTC 20kΩ	20kΩ at 25 °C
Sensitivity	
PT1000	$\approx 3.85 \Omega / K$
PT100	$\approx 0.385 \Omega / K$
BALCO 500	$\approx 2 \Omega / K$
NTC 20kΩ	non-linear characteristic
Accuracy	
PT1000 / PT100	DIN IEC 751 Class B $0.3 K + 0.5\% \cdot t $ (t in °C)
BALCO 500	$\pm 1\Omega$ at 23.3 °C
NTC 20kΩ	0.3 K at 25 °C

Order Numbers

OS no.	temperature sensing element*
T7412A1000	NTC 20kΩ
T7412A1018	PT1000
T7412A1026	BALCO 500
T7412A1059	PT100
T7412B1008	NTC 20kΩ + CPA
T7412B1016	PT1000 + CPA
T7412B1024	BALCO 500 + SPA 15...30 °C
T7412B1040	PT1000 + SPA 15...30 °C
T7412B1057	PT1000 + CPA
T7412C1006	NTC 20kΩ + CPA + occ./unoccupied switch
T7412C1030	PT1000 + CPA and occ./unoccupied switch
T7412D1004	NTC 20kΩ + CPA + Fan Speed Switch
T7412E1001	NTC 20kΩ + push-button + C-Bus connector
T7412E1027	NTC 20kΩ + push-button + indication LED

For potentiometer values and circuits, see Fig. 1.
* Other temperature sensing elements and different housing colors are available, upon request.

Models

model no. / function					
T7412A	T7412B		T7412C	T7412D	T7412E
temperature sensor					
	remote setpoint adjustment	control-point adjustment			occupancy extend push-button
			occupied/unoccupied switch	fan speed switch	LED or PIT C-Bus connector

INSTALLATION

- Mount these units at the inside wall of the room to be heated or air conditioned, away from doors, windows, and heat sources.
- They should be located approx. 1.5 m above the floor and at minimum 50 cm away from the nearest wall.
- Do not mount in niches, book shelves, behind cabinets or curtains, or where it could be exposed to solar radiation.
- Seal the conduit opening to avoid false temperature measurement due to draft from the conduit.

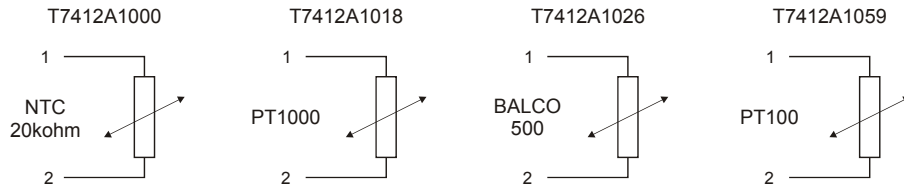
NOTE: Use shielded wiring in areas with high EMI. Keep 15 cm (5.9") minimum distance between sensor lines and 230 Vac power lines.

The offset due to wire resistance per 10 m of distance from the sensor to the controller is stated in the following table:

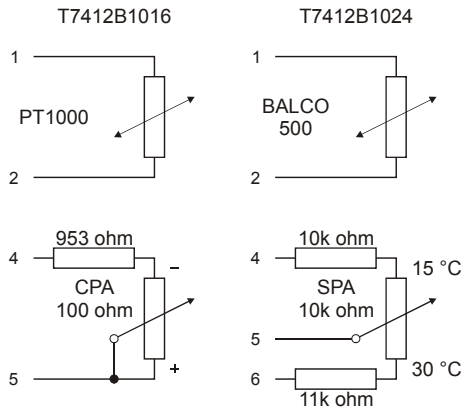
type of wire	temperature offset		
	PT1000	PT100	BALCO 500
0.5 mm ² (AWG20)	0.18 °C (0.324 °F)	1.8 °C (3.24 °F)	0.3 °C (0.54 °F)
1.0 mm ² (AWG17)	0.09 °C (0.162 °F)	0.9 °C (1.62 °F)	0.15 °C (0.27 °F)
1.5 mm ² (AWG15)	0.06 °C (0.108 °F)	0.6 °C (1.08 °F)	0.1 °C (0.1 °F)

wiring run	maximum length
sensor to controller	200 m (660 ft)

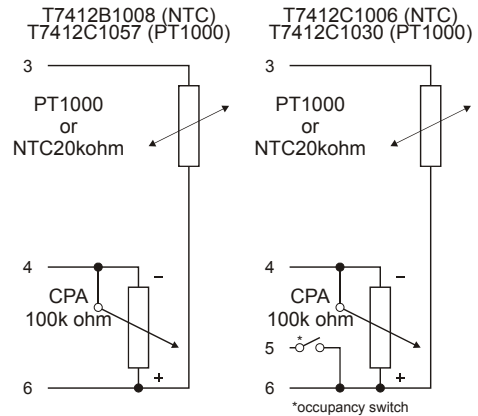
Connections for T7412A:



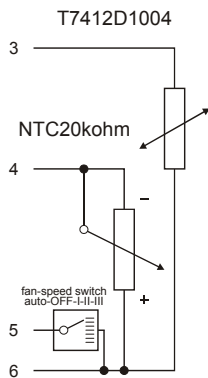
Connections for T7412B:



Connections for T7412C:



Connections for T7412D:



Connections for T7412E:

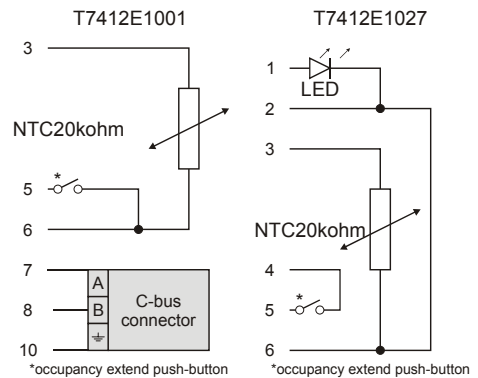


Fig. 1. Connections

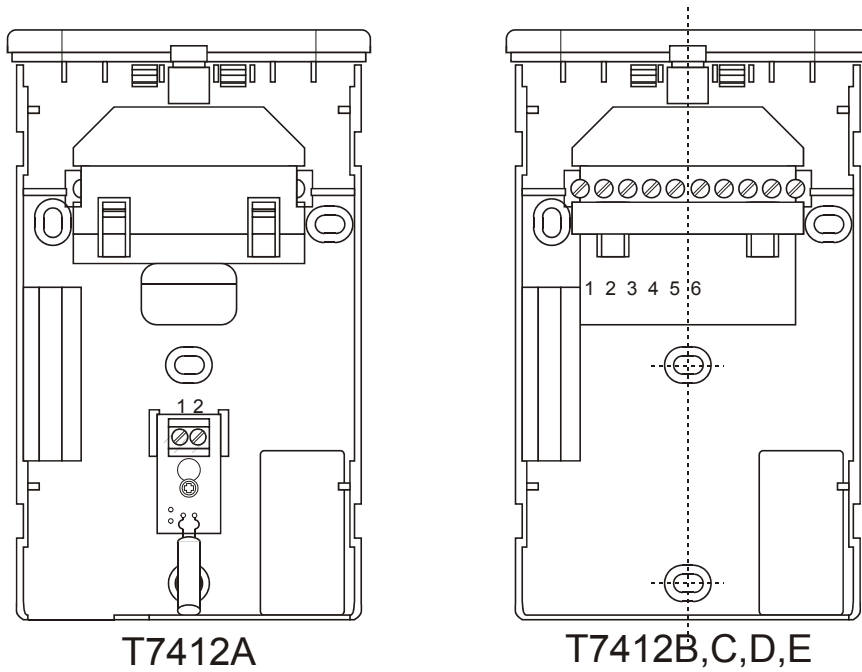


Fig. 2. Connector positions

MOUNTING AND DIMENSIONS

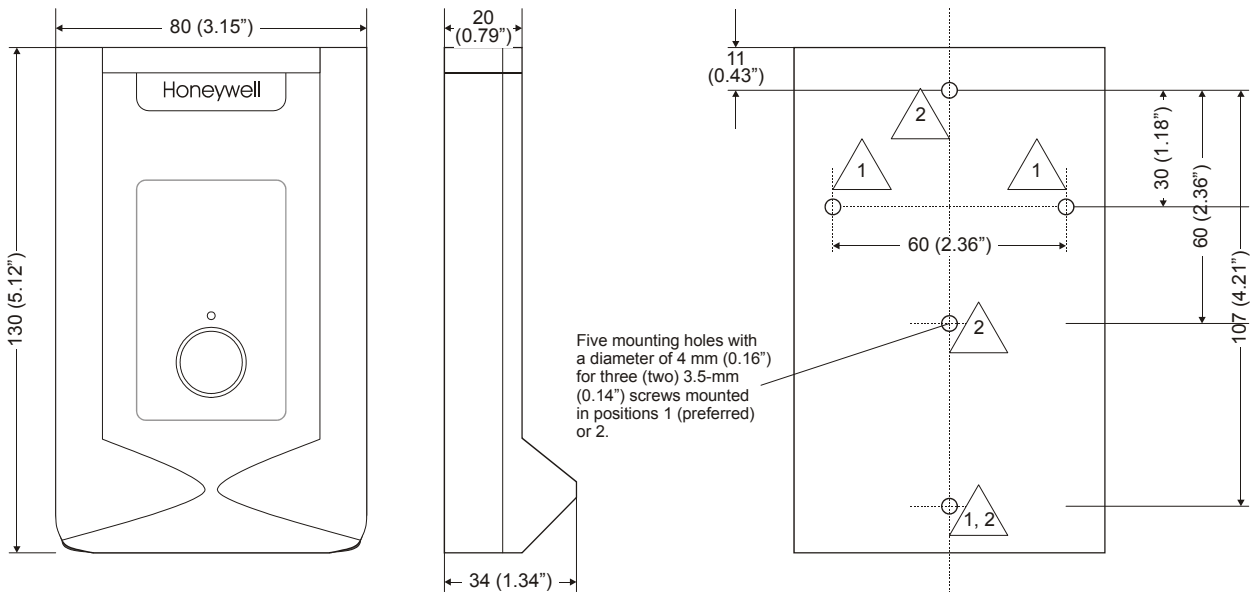


Fig. 3. Mounting and dimensions

Honeywell

Manufactured for and on behalf of the Environmental and Combustion Controls Division of Honeywell Technologies Sàrl, Rolle, Z.A. La Pièce 16, Switzerland by its Authorized Representative:

Automation and Control Solutions
 Honeywell GmbH
 Böblinger Strasse 17
 71101 Schönaich, Germany
 Phone: (49) 7031 63701
 Fax: (49) 7031 637493
<http://ecc.emea.honeywell.com>

Subject to change without notice. Printed in Germany
 ENOB-0240GE51 R1009