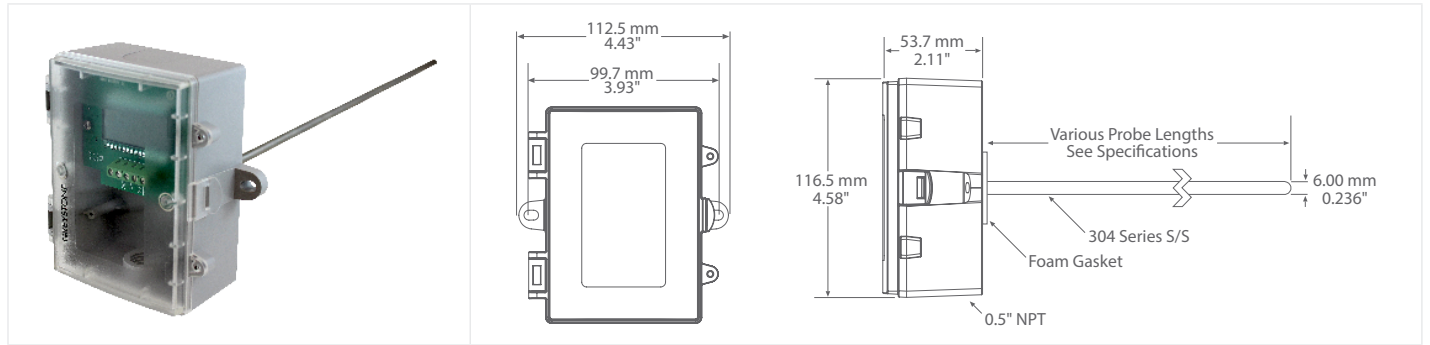




## ALL PURPOSE TEMPERATURE TRANSMITTER WITH LCD



### TDAP SERIES

#### PRODUCT DESCRIPTION

The TDAP series incorporates a precision platinum RTD encapsulated in a 6 mm (0.236") OD, 304 stainless steel probe and is available in various lengths. All probes provide excellent heat transfer, fast response and resist moisture penetration. The transmitter provides a high accuracy signal with excellent long term stability, low hysteresis and fast response. It is available with various scaled ranges. A hinged and gasketed Polycarbonate enclosure is included, and an LCD is provided in either °C or °F.

#### TYPICAL INSTALLATION

**For complete installation and wiring details, please refer to the product installation instructions.**

The duct type probes are installed through a hole in the side of the duct to monitor a single point temperature within the duct. Since the probes are tip sensitive, select a probe length that places the sensor well into the duct. Install the probe in a straight section of duct at a suitable distance downstream from any heating, cooling or humidification devices.

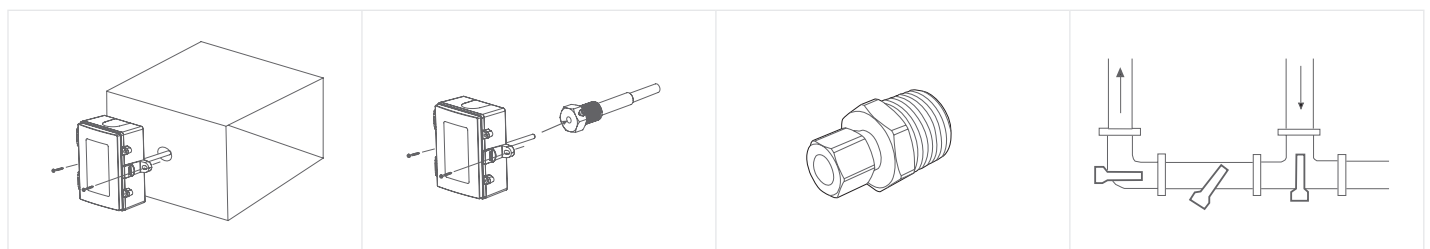
The enclosure provides mounting tabs for ease of installation.

NOTE: For immersion applications, a T2 series thermowell is required. When using a T1 series thermowell an adapter will be required.

#### SPECIFICATIONS

SENSOR TYPE	1000 Ω platinum RTD
SENSOR ACCURACY	±0.3°C (±0.54°F) @ 0°C (32°F)
PROBE SENSING RANGE	-40 to 100°C (-40 to 212°F)
WIRE MATERIAL	PVC insulated, parallel bonded, 22 AWG
PROBE MATERIAL	304 series stainless steel
PROBE DIAMETER	6 mm (0.236")
STANDARD LENGTHS	50, 100, 150, 200, 300, and 400 mm (2", 4", 6", 8", 12", and 18")
MAXIMUM LOOP CURRENT	20 mA
OUTPUT SIGNAL	4-20 mA current loop, 0-5 Vdc, or 0-10 Vdc (factory configured)
TRANSMITTER ACCURACY	±0.2% of span, including linearity
POWER SUPPLY	15-30 Vdc or 12-28 Vac
CONSUMPTION (MAX)	<b>Current:</b> 20 mA <b>Voltage:</b> 11 mA
INPUT VOLTAGE EFFECT	Negligible over specified operating range
PROTECTION CIRCUITRY	Reverse voltage protected and output limited
OUTPUT DRIVE @ 24 VDC	<b>Current:</b> 700Ω max <b>Voltage:</b> 20,000Ω min
LCD DISPLAY UNITS	°C or °F (factory configured)
DISPLAY RANGE	3 digit for -88.8 to 888 as required
DISPLAY SIZE	38.1 mm W x 16.5 mm H (1.5" x 0.65")
DIGIT HEIGHT	11.4 mm (0.45") plus °C/°F symbol
AMBIENT OPERATING RANGE	0 to 50°C (32 to 122°F), 5 to 95 %RH
ENCLOSURE	<b>B:</b> Grey polycarbonate UL94-V0, IP65 (NEMA 4X) <b>F:</b> Same as B with thread adapter (1/2" NPT to M16) and cable gland fitting
WIRING CONNECTIONS	Screw terminal block (14 to 22 AWG)
COUNTRY OF ORIGIN	Canada

#### MOUNTING STYLES



DUCT MOUNTING

THERMOWELL MOUNTING

T1-AP THERMOWELL ADAPTER

THERMOWELL PLACEMENT

