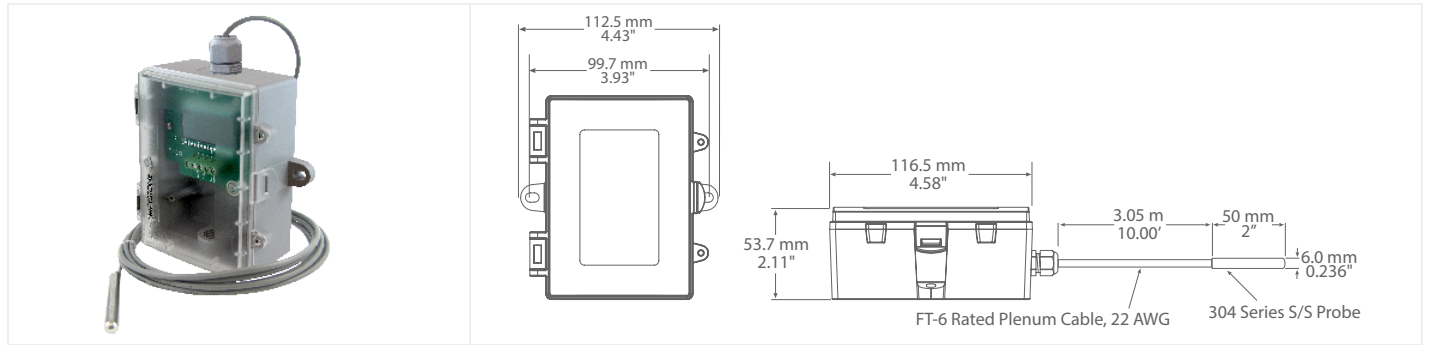




## FLYING LEAD TEMPERATURE TRANSMITTER WITH LCD



### TDFL SERIES

### PRODUCT DESCRIPTION

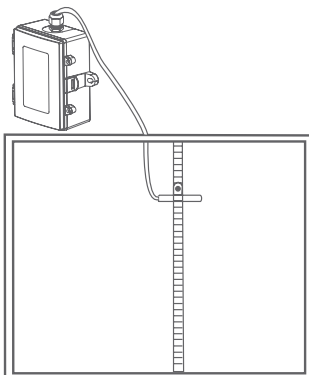
The single point flying lead temperature transmitter incorporates a precision platinum RTD encapsulated in a 50.8 x 6 mm (2" x 0.236") OD, 304 stainless steel probe. The probe provides excellent heat transfer, fast response and resist moisture penetration. A transmitter that provides a high accuracy signal with excellent long term stability, low hysteresis and fast response for measurement of pipe temperatures. A hinged and gasketed Polycarbonate enclosure is provided for ease of installation. An LCD is provided in either °C or °F.

### TYPICAL INSTALLATION

**For complete installation and wiring details, please refer to the product installation instructions.**

A typical application for the flying lead type probes is to monitor a single point temperature within the duct. Install the probe in a straight section of duct at a suitable distance downstream from any heating, cooling or humidification devices. Drill a 3/8 hole in the top of the duct and hang the sensor in the airstream.

The enclosure provides mounting tabs for ease of installation.



### SPECIFICATIONS

SENSOR TYPE	1000 Ω platinum RTD
SENSOR ACCURACY	±0.3°C (±0.54°F) @ 0°C (32°F)
PROBE SENSING RANGE	-40 to 60°C (-40 to 140°F)
PROBE DIMENSIONS	50mm (2") x 6mm (0.236")
PROBE MATERIAL	304 series stainless steel
WIRE MATERIAL	FT-6 plenum rated cable
WIRE LENGTH	3.05m (10')
OUTPUT SIGNAL	4-20 mA current loop, 0-5 Vdc, or 0-10 Vdc (factory configured)
TRANSMITTER ACCURACY	±0.2% of span, including linearity
POWER SUPPLY	15-30 Vdc or 12-28 Vac
CONSUMPTION (MAX)	<b>Current:</b> 20 mA <b>Voltage:</b> 11 mA
RESOLUTION	0.1°C/°F
MAXIMUM LOOP CURRENT	20 mA
MINIMUM LOOP CURRENT	4 mA
MAXIMUM LOOP LOAD	700Ω
MAXIMUM CURRENT (VOLTAGE)	11 mA
MAXIMUM OUTPUT (VOLTAGE)	10 Vdc
INPUT VOLTAGE EFFECT	Negligible over specified operating range
PROTECTION CIRCUITRY	Reverse voltage protected and output limited
OUTPUT DRIVE @ 24 VDC	<b>Current:</b> 700Ω max <b>Voltage:</b> 20,000Ω min
LCD DISPLAY UNITS	°C or °F (factory configured)
DISPLAY RANGE	3 digit for -88.8 to 888 as required
DISPLAY SIZE	38.1mm W x 16.5mm H (1.5" x 0.65")
DIGIT HEIGHT	11.4mm (0.45") plus °C/°F symbol
AMBIENT OPERATING RANGE	0 to 50°C (32 to 122°F), 5 to 95 %RH
ENCLOSURE	<b>B:</b> Grey polycarbonate UL94-V0, IP65 (NEMA 4X) <b>F:</b> Same as B with thread adapter (1/2" NPT to M16) and cable gland fitting
WIRING CONNECTIONS	Screw terminal block (14 to 22 AWG)
COUNTRY OF ORIGIN	Canada

### ACCESSORIES - INCLUDED WITH F ENCLOSURE OPTION

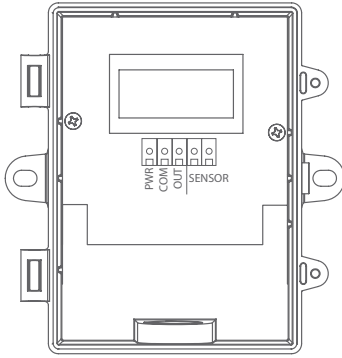


CABLE GLAND FITTING

THREAD ADAPTER 1/2" NPT TO M16



## WIRING INFORMATION



TERMINAL	FUNCTION
PWR	+24 Vdc/ac power supply
COM	Common
OUT	Analog Output
SENSOR	Temperature sensor input
SENSOR	Temperature sensor input

## ORDERING

PRODUCT	TDFL	Flying Lead temperature Transmitter with Display
ENCLOSURE	<b>B</b>	Polycarbonate, with hinged and gasketed cover
	<b>F</b>	Same as B, with thread adapter and cable gland fitting
DISPLAY UNITS	<b>C</b>	Celsius
	<b>F</b>	Fahrenheit
SENSOR	<b>12X</b>	1000Ω, Platinum, 2 wire, IEC 751, 385 Alpha, thin film, Class B
OUTPUT	<b>A</b>	4-20 mA, 2 or 3 wire
	<b>D</b>	0-5 Vdc, 3 wire
	<b>E</b>	0-10 Vdc, 3 wire
SCALED RANGE	<b>001</b>	0 to 35°C (32 to 95°F)
	<b>002</b>	0 to 50°C (32 to 122°F)

## PART NUMBER

TDFL

NOTE: Greystone Energy Systems, Inc. reserves the right to make design modifications without prior notice.