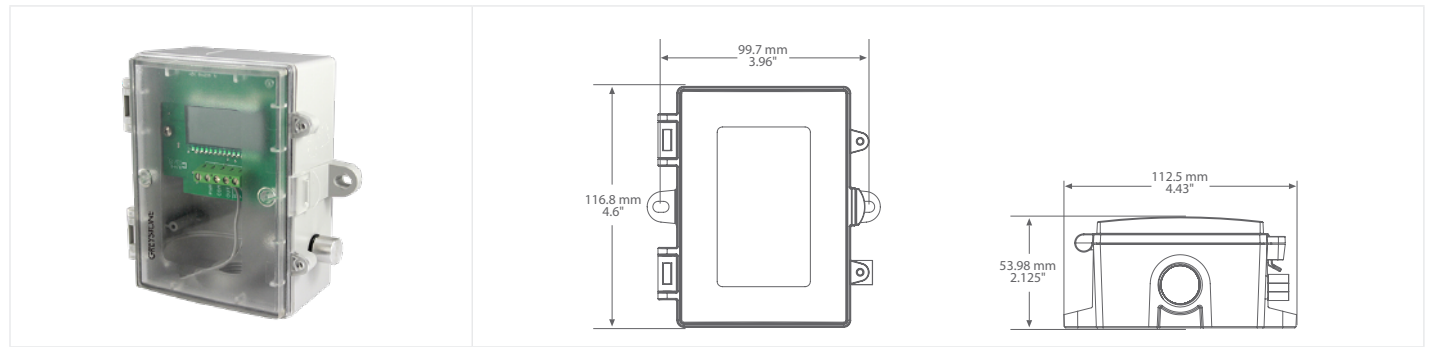




HEAVY DUTY ROOM TEMPERATURE TRANSMITTER WITH LCD



TDHR SERIES

PRODUCT DESCRIPTION

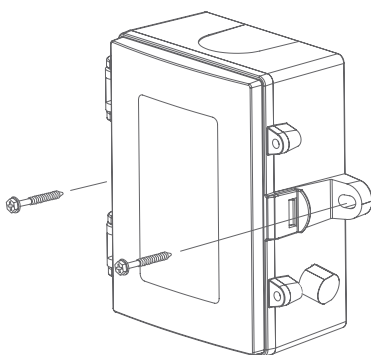
The TDHR incorporates a precision platinum RTD. A transmitter that provides a high accuracy signal with excellent long term stability, low hysteresis and fast response is available with various ranges. A polycarbonate enclosure with a hinged and gasketed cover is provided for ease of installation. An LCD is provided in either °C or °F.

TYPICAL INSTALLATION

For complete installation and wiring details, please refer to the product installation instructions.

The TDHR should be mounted on an interior wall, out of exposure to direct sunlight.

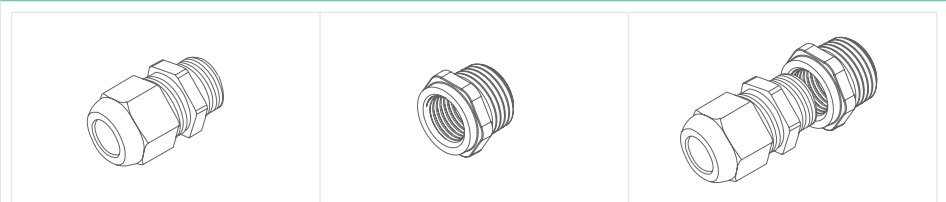
The TDHR can be mounted directly on the interior wall using the provided mounting holes. There is one 0.85" hole for conduit connection.



SPECIFICATIONS

SENSOR TYPE	1000 Ω platinum RTD
SENSOR ACCURACY	±0.3°C (±0.54°F) @ 0°C (32°F)
PROBE SENSING RANGE	0 to 50°C (32 to 122°F)
PROBE MATERIAL	Machined Aluminum
WIRE MATERIAL	PVC insulated, parallel bonded, 22 AWG
OUTPUT SIGNAL	4-20 mA current loop, 0-5 Vdc, or 0-10 Vdc (factory configured)
TRANSMITTER ACCURACY	±0.2% of span, including linearity
POWER SUPPLY	15-30 Vdc or 12-28 Vac
CONSUMPTION (MAX)	Current: 20 mA Voltage: 11 mA
PROTECTION CIRCUITRY	Reverse voltage protected and output limited
OUTPUT DRIVE @ 24 VDC	Current: 700Ω max Voltage: 20,000Ω min
LCD DISPLAY UNITS	°C or °F (factory configured)
DISPLAY RANGE	3 digit for -88.8 to 888 as required
DISPLAY SIZE	38.1mm W x 16.5mm H (1.5" x 0.65")
DIGIT HEIGHT	11.4mm (0.45") plus °C/°F symbol
AMBIENT OPERATING RANGE	0 to 50°C (32 to 122°F), 0 to 95 %RH
ENCLOSURE	B: Grey polycarbonate UL94-V0, IP65 (NEMA 4X) F: Same as B, with thread adapter, and cable gland fitting
WIRING CONNECTIONS	Screw terminal block (14 to 22 AWG)
COUNTRY OF ORIGIN	Canada

ACCESSORIES - INCLUDED WITH F ENCLOSURE OPTION

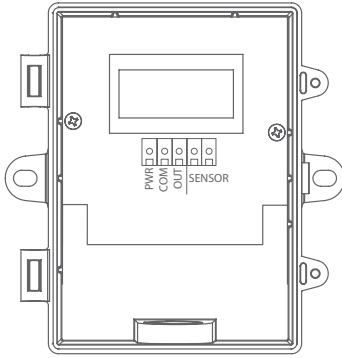


CABLE GLAND FITTING

THREAD ADAPTER 1/2" NPT TO M16



WIRING INFORMATION



TERMINAL	FUNCTION
PWR	+24 Vdc/ac power supply
COM	Common
OUT	Analog Output
SENSOR	Temperature sensor input
SENSOR	Temperature sensor input

ORDERING

PRODUCT	TDHR	Heavy Duty Room temperature Transmitter with Display
ENCLOSURE	B F	Polycarbonate, with hinged and gasketed cover Same as B, with thread adapter and cable gland fitting
DISPLAY UNITS	C F	Celsius Fahrenheit
SENSOR	12X	1000Ω, Platinum, 2 wire, IEC 751, 385 Alpha, thin film, Class B
OUTPUT	A D E	4-20 mA, 2 or 3 wire 0-5 Vdc, 3 wire 0-10 Vdc, 3 wire
SCALED RANGE	001 002	0 to 35°C (32 to 95°F) 0 to 50°C (32 to 122°F)

PART NUMBER

TDHR

NOTE: Greystone Energy Systems, Inc. reserves the right to make design modifications without prior notice.