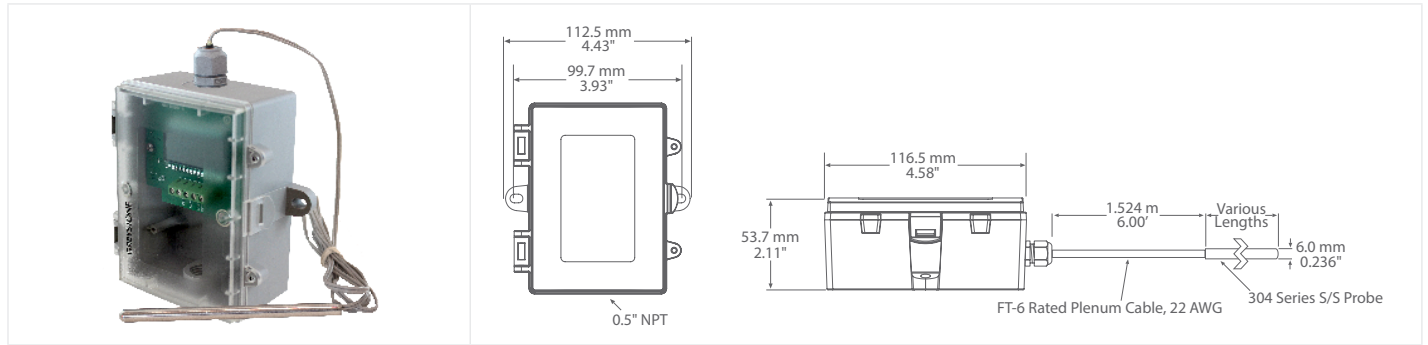




REMOTE PROBE STRAP-ON TEMPERATURE TRANSMITTER WITH LCD



TDRP SERIES

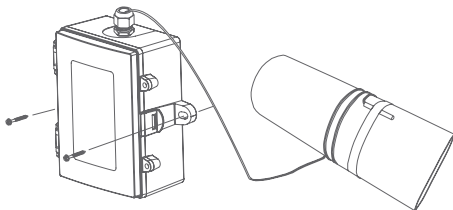
PRODUCT DESCRIPTION

The single point strap-on temperature transmitter incorporates a precision platinum RTD encapsulated in a 6 mm (0.236") OD, 304 stainless steel probe and is available in various lengths. All probes provide excellent heat transfer, fast response and resist moisture penetration. A transmitter that provides a high accuracy signal with excellent long term stability, low hysteresis and fast response for measurement of pipe temperatures. A hinged and gasketed Polycarbonate enclosure is included for ease of installation. An LCD is provided in either °C or °F.

TYPICAL INSTALLATION

For complete installation and wiring details, please refer to the product installation instructions.

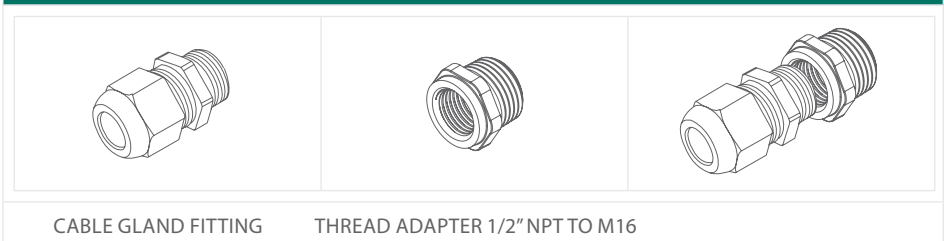
Find a suitable location along the pipe where both the probe and remote enclosure can be mounted. If necessary, remove a section of insulation from the pipe. Position the probe directly on the pipe and secure using a pipe clamp. For added security, make 1 to 3 loops of the sensor cable around the pipe and feed through wire hole on the enclosure and secure using the supplied grommet. If applicable, the pipe insulation can be re-applied to the pipe over the probe.



SPECIFICATIONS

SENSOR TYPE	1000 Ω platinum RTD
SENSOR ACCURACY	±0.3°C (±0.54°F) @ 0°C (32°F)
PROBE SENSING RANGE	-40 to 100°C (-40 to 212°F)
PROBE MATERIAL	304 series stainless steel
PROBE DIAMETER	6mm (0.236")
STANDARD LENGTHS	50, 100, 150, 200, 300, 450 mm (2", 4", 6", 8", 12", 18")
WIRE LENGTH	1.524m (5')
WIRE MATERIAL	PVC insulated, parallel bonded, 22 AWG
OUTPUT SIGNAL	4-20 mA current loop, 0-5 Vdc, or 0-10 Vdc (factory configured)
TRANSMITTER ACCURACY	±0.2% of span, including linearity
POWER SUPPLY	15-30 Vdc or 12-28 Vac
CONSUMPTION (MAX)	Current: 20 mA Voltage: 11 mA
MAXIMUM LOOP CURRENT	20 mA
MINIMUM LOOP CURRENT	4 mA
MAXIMUM LOOP LOAD	700Ω
MAXIMUM CURRENT (VOLTAGE)	11 mA
MAXIMUM OUTPUT (VOLTAGE)	10 Vdc
INPUT VOLTAGE EFFECT	Negligible over specified operating range
PROTECTION CIRCUITRY	Reverse voltage protected and output limited
OUTPUT DRIVE @ 24 VDC	Current: 700Ω max Voltage: 20,000Ω min
LCD DISPLAY UNITS	°C or °F (factory configured)
DISPLAY RANGE	3 digit for -88.8 to 888 as required
DISPLAY SIZE	38.1mm W x 16.5mm H (1.5" x 0.65")
DIGIT HEIGHT	11.4mm (0.45") plus °C/°F symbol
AMBIENT OPERATING RANGE	0 to 50°C (32 to 122°F), 0 to 95 %RH
ENCLOSURE	B: Grey polycarbonate UL94-V0, IP65 (NEMA 4X) F: Same as B with thread adapter (1/2" NPT to M16) and cable gland fitting
WIRING CONNECTIONS	Screw terminal block (14 to 22 AWG)
COUNTRY OF ORIGIN	Canada

ACCESSORIES - INCLUDED WITH F ENCLOSURE OPTION

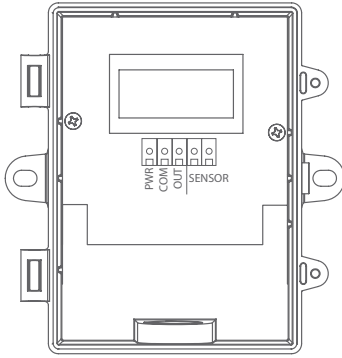


CABLE GLAND FITTING

THREAD ADAPTER 1/2" NPT TO M16



WIRING INFORMATION



TERMINAL	FUNCTION
PWR	+24 Vdc/ac power supply
COM	Common
OUT	Analog output
SENSOR	Temperature sensor input
SENSOR	Temperature sensor input

ORDERING

PRODUCT	TDRP	Remote Probe Strap-on Temperature Transmitter with Display
ENCLOSURE	B F	Polycarbonate, with hinged and gasketed cover Same as B, with thread adapter and cable gland fitting
DISPLAY UNITS	C F	Celsius Fahrenheit
SENSOR	12	1000Ω, Platinum, 2 wire, IEC 751, 385 Alpha, thin film, Class B
PROBE LENGTH	A B C D	50mm (2") 100mm (4") 150mm (6") 200mm (8")
OUTPUT	A D E	4-20 mA, 2 or 3 wire 0-5 Vdc, 3 wire 0-10 Vdc, 3 wire
SCALED RANGE	001 002	0 to 35°C (32 to 95°F) 0 to 50°C (32 to 122°F)

PART NUMBER

TDRP

NOTE: Greystone Energy Systems, Inc. reserves the right to make design modifications without prior notice.