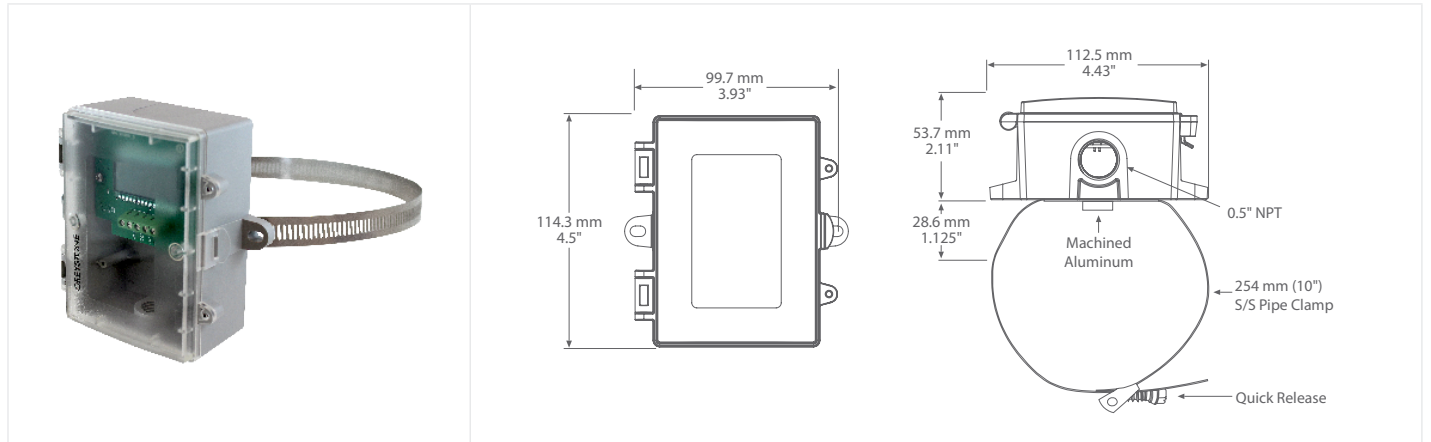




## STRAP-ON TEMPERATURE TRANSMITTER WITH LCD



### TDSO SERIES

### PRODUCT DESCRIPTION

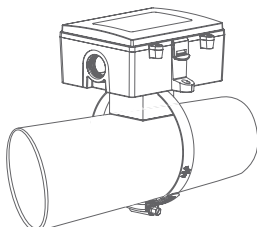
The single point strap-on temperature transmitter has a precision platinum RTD encapsulated in a 38.1 mm x 12.7 mm (1.5" x 0.5") machined aluminum heat sink. A 25.4 cm (10") S/S Pipe clamp is provided to secure the assembly to various sizes of pipes. All probes are constructed to provide excellent heat transfer, fast response and are potted to resist moisture penetration. A hinged and gasketed Polycarbonate enclosure with a hinged and gasketed cover is provided for ease of installation. An LCD is provided in either °C or °F.

### TYPICAL INSTALLATION

**For complete installation and wiring details, please refer to the product installation instructions.**

**For best results, thermal conductive compound should be applied to pipe prior to mounting the probe.**

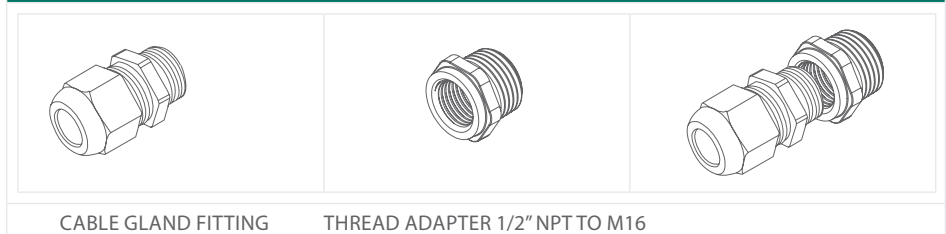
Find a suitable location along the pipe where both the probe and remote enclosure can be mounted. If necessary, remove a section of insulation from pipe. Position probe directly on the pipe and secure using a pipe clamp. For added security, make 1 to 3 loops of the sensor cable around the pipe and feed through wire hole on the enclosure and secure using the supplied grommet. If applicable, the pipe insulation can be re-applied to the pipe over the probe.



### SPECIFICATIONS

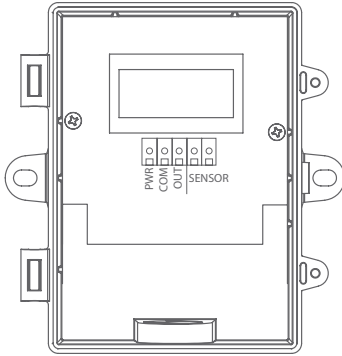
SENSOR TYPE	1000 Ω platinum RTD
SENSOR ACCURACY	±0.3°C (±0.54°F) @ 0°C (32°F)
PROBE SENSING RANGE	-40 to 100°C (-40 to 212°F)
PROBE MATERIAL	Machined aluminum heat sink
PROBE DIMENSIONS	38.1 mm x 12.7 mm (1.5" x 0.5")
WIRE MATERIAL	PVC insulated, parallel bonded, 22 AWG
OUTPUT SIGNAL	4-20 mA current loop, 0-5 Vdc, or 0-10 Vdc (factory configured)
TRANSMITTER ACCURACY	±0.2% of span, including linearity
POWER SUPPLY	15-30 Vdc or 12-28 Vac
CONSUMPTION (MAX)	<b>Current:</b> 20 mA <b>Voltage:</b> 11 mA
PROTECTION CIRCUITRY	Reverse voltage protected and output limited
OUTPUT DRIVE @ 24 VDC	<b>Current:</b> 700Ω max <b>Voltage:</b> 20,000Ω min
LCD DISPLAY UNITS	°C or °F (factory configured)
DISPLAY RANGE	3 digit for -88.8 to 888 as required
DISPLAY SIZE	38.1 mm W x 16.5 mm H (1.5" x 0.65")
DIGIT HEIGHT	11.4 mm (0.45") plus °C/°F symbol
AMBIENT OPERATING RANGE	0 to 50°C (32 to 122°F), 0 to 95 %RH
ENCLOSURE	<b>B:</b> Grey polycarbonate UL94-V0, IP65 (NEMA 4X) <b>F:</b> Same as B with thread adapter (1/2" NPT to M16) and cable gland fitting
WIRING CONNECTIONS	Screw terminal block (14 to 22 AWG)
COUNTRY OF ORIGIN	Canada

### ACCESSORIES - INCLUDED WITH F ENCLOSURE OPTION





## WIRING INFORMATION



TERMINAL	FUNCTION
PWR	+24 Vdc/ac power supply
COM	Common
OUT	Analog output
SENSOR	Temperature sensor input
SENSOR	Temperature sensor input

## ORDERING

PRODUCT	<b>TDSO</b>	Strap-on Temperature Transmitter with Display
ENCLOSURE	<b>B</b>	Polycarbonate, with hinged and gasketed cover
	<b>F</b>	Same as B, with thread adapter and cable gland fitting
DISPLAY UNITS	<b>C</b>	Celsius
	<b>F</b>	Fahrenheit
SENSOR OUTPUT	<b>12X</b>	1000Ω, Platinum, 2 wire, IEC 751, 385 Alpha, thin film, Class B
	<b>A</b>	4-20 mA, 2 or 3 wire
	<b>D</b>	0-5 Vdc, 3 wire
	<b>E</b>	0-10 Vdc, 3 wire
SCALED RANGE	<b>001</b>	0 to 35°C (32 to 95°F)
	<b>002</b>	0 to 50°C (32 to 122°F)

## PART NUMBER

<b>TDSO</b>

NOTE: Greystone Energy Systems, Inc. reserves the right to make design modifications without prior notice.