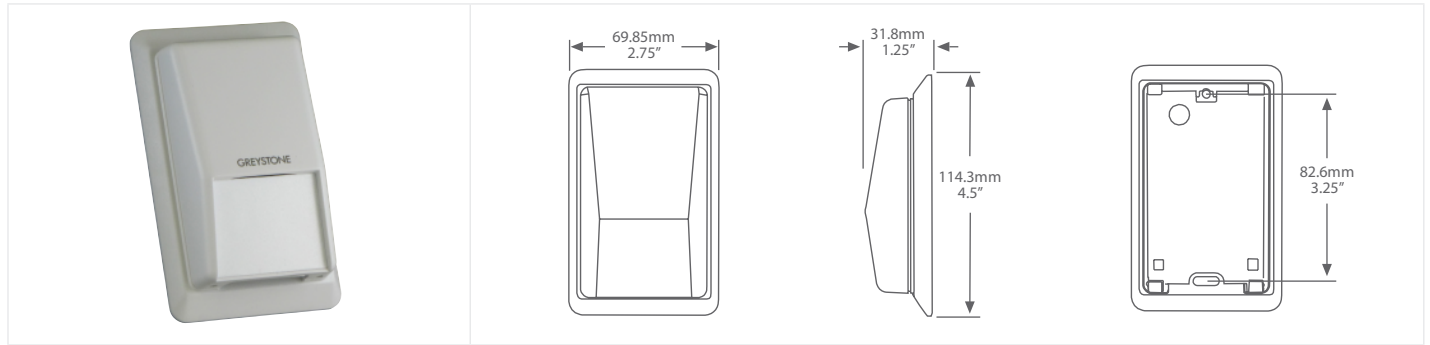




## DESIGNER ROOM TEMPERATURE TRANSMITTER



### TE500AD SERIES

### PRODUCT DESCRIPTION

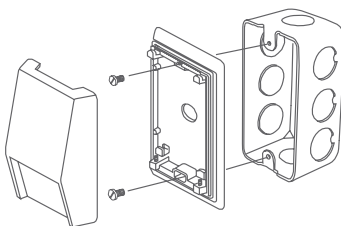
The TE500AD series is an attractive, low profile enclosure that incorporates a precision platinum RTD and transmitter that provides a high accuracy signal with excellent long-term stability, low hysteresis and fast response for measurement of room temperatures.

### TYPICAL INSTALLATION

**For complete installation and wiring details, please refer to the product installation instructions.**

The TE500AD series can be mounted directly to a single gang electrical box or directly to a wall. Insulating foam is adhered to the back of the enclosure to provide a thermal barrier from internal wall temperatures.

The sensor is either a 2 wire or 3 wire connections to the Building Automation System depending on the output model ordered.



### SPECIFICATIONS

SENSOR	1000Ω Platinum RTD
SENSOR ACCURACY	±0.3°C (±0.54°F) @ 0°C (32°F)
OUTPUT SIGNAL	4-20 mA current loop, 0-5 Vdc, or 0-10 Vdc (factory configured)
TRANSMITTER ACCURACY	±0.1% of span, including linearity
4-20 mA LOOP POWER SUPPLY	15-35 Vdc or 22-32 Vac
MINIMUM CURRENT LOOP	2 mA nominal (occurs with shorted sensor)
MAXIMUM LOOP CURRENT	22.5 mA nominal (occurs with open sensor)
MAXIMUM LOOP LOAD	>6000Ω
0-5 VDC POWER SUPPLY	10-35 Vdc or 10-32 Vac
0-10 VDC POWER SUPPLY	15-35 Vdc or 15-32 Vac
MAXIMUM CURRENT (VOLTAGE)	5 mA nominal
MAXIMUM OUTPUT (VOLTAGE)	Limited to <5.5 Vdc for 0-5 Vdc, <10.5 for 0-10 Vdc
INPUT VOLTAGE EFFECT	Negligible over specified operating range
RFI REJECTION	Good RFI rejection of normal frequencies
PROTECTION CIRCUITRY	Reverse voltage protected and output limited
OPERATING CONDITIONS	0 to 70°C (32 to 158°F), 0 to 95%RH non-condensing
ENCLOSURE	White ABS, IP20 (NEMA 1)
DIMENSIONS	114.3mm L x 69.85mm W x 31.8mm D (4.5" x 2.75" x 1.25")
TERMINATION	Screw terminal block (14 to 22 AWG)
COUNTRY OF ORIGIN	Canada

### ORDERING

PRODUCT	TE500AD	Designer Room Temperature Transmitter
SENSOR	12	1000 Ω Platinum, IEC 751, 385 Alpha, thin film
TRANSMITTER OUTPUT SIGNAL	1A 1D 1E	Current 4-20 mA Voltage 0-5 Vdc Voltage 0-10 Vdc
TRANSMITTER RANGES	1 2 *	0 to 35°C (32 to 95°F) 0 to 50°C (32 to 122°F) Custom range, please contact Greystone

NOTE: Greystone Energy Systems, Inc. reserves the right to make design modifications without prior notice.

### PART NUMBER

TE500AD