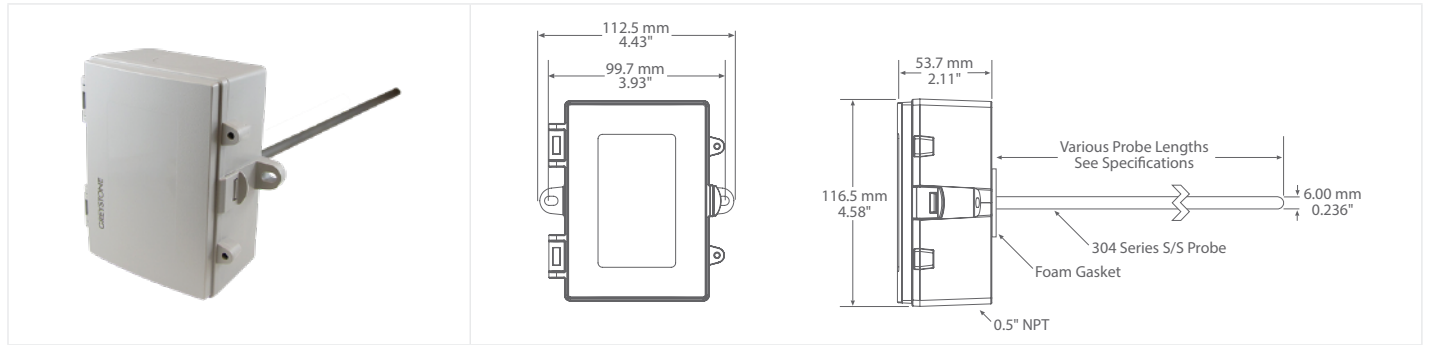




## RIGID DUCT AVERAGE HIGH LIMIT THERMOSTAT



### THDR SERIES

### PRODUCT DESCRIPTION

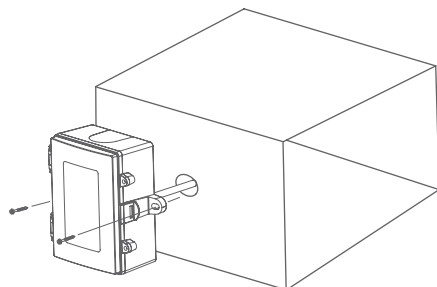
The multi point rigid duct average high limit thermostat incorporates several precision thermistor temperature sensors and provides a Form C relay output (NO/NC) with an adjustable setpoint. The sensor is encapsulated in 6 mm (0.236") OD, 304 series stainless steel probe and is available in various lengths (see ordering chart). All probes provide excellent heat transfer, fast response and resistance to moisture penetration. A Polycarbonate enclosure with a hinged and gasketed cover is provided for ease of installation.

### TYPICAL INSTALLATION

**For complete installation and wiring details, please refer to the product installation instructions.**

The duct type probes are installed through a hole in the side of the duct to monitor a single point temperature within the duct. Since the probes are tip sensitive, select a probe length that places the sensor well into the duct. Install the probe in a straight section of duct at a suitable distance downstream from any heating, cooling or humidification devices.

The enclosure provides mounting tabs for ease of installation.



### SPECIFICATIONS

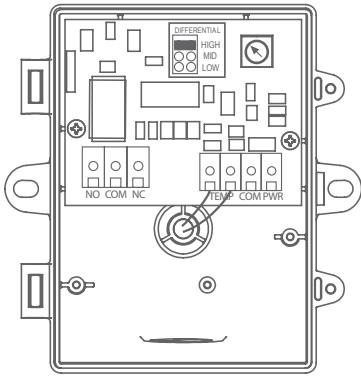
SENSOR TYPE	12 to 28 Vac/dc
SENSOR ACCURACY	±0.2°C, 0 to 70°C (±0.36°F, 32 to 158°F)
PROBE SENSING RANGE	-20 to 60°C (-4 to 140°F)
PROBE MATERIAL	304 series stainless steel
PROBE DIAMETER	6mm (0.236")
STANDARD LENGTHS	450mm, 600mm, 900mm (18", 24", 36")
WIRE MATERIAL	PVC/Kynar, 28 AWG
CONSUMPTION	50 mA max
RELAY CONTACTS	SPDT, Form C contacts (N.O. and N.C.) 5 Amps @ 30 Vdc/250 Vac resistive 1.5 Amps @ 30 Vdc/250 vac inductive
RELAY ACTION	Activates on temperature rise
SETPOINT OPERATION	Single-turn knob-pot on PCB
ADJUSTABLE SETPOINT	38 to 60°C (100 to 140°F)
SETPOINT TEMPERATURE	<b>Low:</b> 1.1°C (2°F) <b>Mid:</b> 2.8°C (5°F) <b>High:</b> 5.6°C (10°F) Jumper selectable
TEMPERATURE SENSOR	10,000Ω curve matched precision thermistor
OPERATING CONDITIONS	-10 to 50°C (14 to 122°F), 5 to 95 %RH, non-condensing
STORAGE CONDITIONS	-30 to 70°C (-22 to 158°F), 5 to 95 %RH, non-condensing
WIRING CONNECTIONS	Screw terminal block (14 to 22 AWG)
ENCLOSURE	<b>B:</b> Grey polycarbonate UL94-V0, IP65 (NEMA 4X) <b>F:</b> Same as B with thread adapter (1/2" NPT to M16) and cable gland fitting
COUNTRY OF ORIGIN	Canada

### ACCESSORIES - INCLUDED WITH F STYLE ENCLOSURE





## WIRING INFORMATION



TERMINAL	FUNCTION
PWR	Power Supply
COM	Power Supply Common
TEMP (2)	Temperature Sensor Input
NO	Relay Output - Normally Open Contact
COM	Relay Common
NC	Relay Output - Normally Closed Contact

## ORDERING

PRODUCT	THDR	Rigid Duct Average High Limit Thermostat
ENCLOSURE	<b>B</b> <b>F</b>	Polycarbonate, with hinged and gasketed cover Same as B, with thread adapter and cable gland fitting
SENSOR	<b>24</b>	10,000Ω, Type 2, NTC Thermistor, ±0.2°C
PROBE LENGTH	<b>F</b> <b>G</b> <b>H</b>	450 mm (18") 600 mm (24") 900 mm (36")
ADJUSTABLE SETPOINT RANGE	<b>02</b>	38 to 60°C (100 to 140°F)

## PART NUMBER

THDR

NOTE: Greystone Energy Systems, Inc. reserves the right to make design modifications without prior notice.