

THERMOSTATIC MIXING VALVE

FUNCTION

Inside the thermostatic mixing valve, a thermal sensitive element is installed. Due to its temperature sensing characteristics, it drives the valve to move, adjusting the proportion of cold and hot water or opening/closing the water inlet.

Once the temperature is set through the control button, the faucet will automatically adjust the mixture of cold and hot water, regardless of changes in the inlet water temperature, to maintain a constant outlet temperature. The control button at the top sets the desired temperature within the allowable range, and the valve automatically maintains that temperature.

BUILT-IN CHECK VALVES

Prevent backflow and ensure safe operation.



TKV25



DN25 – G 1"

TKV32



DN32 – G 1 1/4"

TKV40

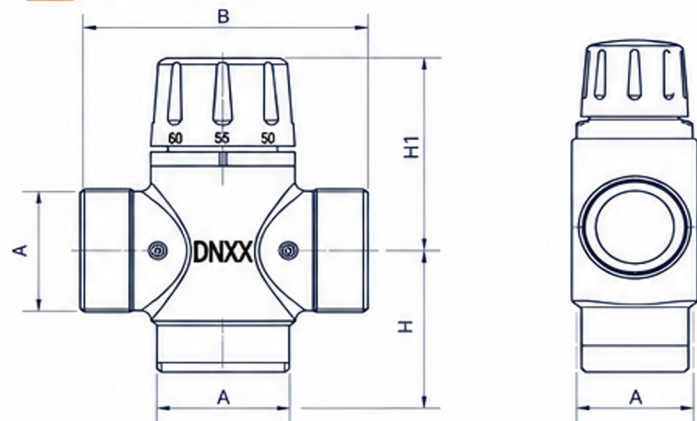


DN40 – G 1 1/2"

TECHNICAL SPECIFICATION

-  Ideal working pressure
0.1–0.5 MPa
-  Cold water inlet temp.
4–10 °C
-  Hot water inlet temp.
20–60 °C
-  Mixed water outlet temp.
20–60 °C
-  Temp accuracy
±3 °C
-  Built-in check valves
Prevent backflow and ensure safe operation.

STRUCTURE SIZE



All dimensions are in mm.

Product Code	SIZE	A	B	H	H1	Kvs
TKV25	DN25	G 1"	74	41	62	3.0
TKV32	DN32	G 1 1/4"	90	54.5	70.5	4.3
TKV40	DN40	G 1 1/2"	110	63	75	5.1

Kvs: m³/h