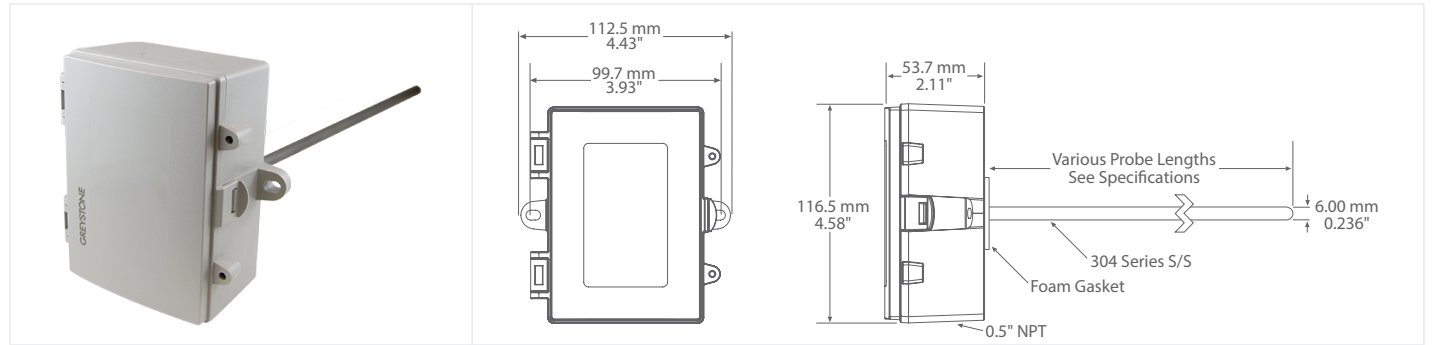




ALL PURPOSE DUCT/IMMERSION LOW LIMIT THERMOSTAT



TLAP SERIES

PRODUCT DESCRIPTION

The single point duct/immersion low limit thermostat incorporates a precision thermistor sensor and provides a Form C relay output (NO/NC) with an adjustable setpoint. The sensor is encapsulated in a 6 mm (0.236") OD, 304 stainless steel probe and is available in various lengths (see ordering chart). All probes provide excellent heat transfer, fast response and resist moisture penetration. A hinged and gasketed Polycarbonate enclosure is provided for ease of installation.

TYPICAL INSTALLATION

For complete installation and wiring details, please refer to the product installation instructions.

The duct type probes are installed through a hole in the side of the duct to monitor a single point temperature within the duct. Since the probes are tip sensitive, select a probe length that places the sensor well into the duct. Install the probe in a straight section of duct at a suitable distance downstream from any heating, cooling or humidification devices.

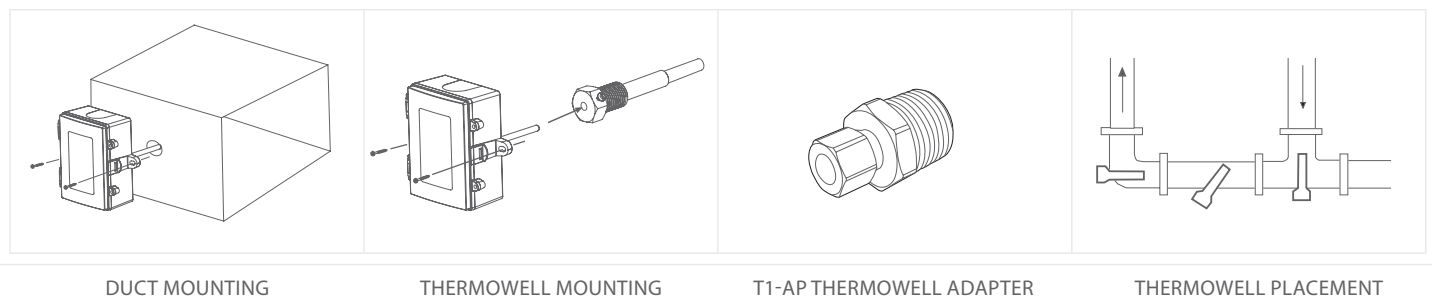
The enclosure provides mounting tabs for ease of installation.

NOTE: For immersion applications, T2 series thermowell is required. When using a T1 series thermowell an adapter will be required.

SPECIFICATIONS

POWER SUPPLY	12 to 28 Vac/dc
SENSOR ACCURACY	±0.2°C, 0 to 70°C (±0.36°F, 32 to 158°F)
PROBE SENSING RANGE	-40 to 100°C (-40 to 212°F)
PROBE MATERIAL	304 series stainless steel
PROBE DIAMETER	6 mm (0.236")
STANDARD LENGTHS	50, 100, 150, 200, 300, and 450 mm (2", 4", 6", 8", 12", and 18")
WIRE MATERIAL	PVC insulated, parallel bonded, 22 AWG
CONSUMPTION	50 mA max
RELAY CONTACTS	SPDT, Form C contacts (N.O. and N.C.) 5 Amps @ 30 Vdc/250 Vac resistive 1.5 Amps @ 30 Vdc/250 vac inductive
RELAY ACTION	Activates on temperature fall
SETPOINT OPERATION	Single-turn knob-pot on PCB
ADJUSTABLE SETPOINT	-4 to 10°C (25 to 50°F)
SETPOINT TEMPERATURE	Low: 1.1°C (2°F) Mid: 2.8°C (5°F) High: 5.6°C (10°F) Jumper selectable
TEMPERATURE SENSOR	Precision thermistor
AMBIENT OPERATING RANGE	-10 to 50°C (14 to 122°F), 5 to 95 %RH, non-condensing
STORAGE CONDITIONS	-30 to 70°C (-22 to 158°F), 5 to 95 %RH, non-condensing
WIRING CONNECTIONS	Screw terminal block (14 to 22 AWG)
ENCLOSURE	B: Grey polycarbonate UL94-V0, IP65 (NEMA 4X) F: Same as B with thread adapter (1/2" NPT to M16) and cable gland fitting
COUNTRY OF ORIGIN	Canada

MOUNTING STYLES



DUCT MOUNTING

THERMOWELL MOUNTING

T1-AP THERMOWELL ADAPTER

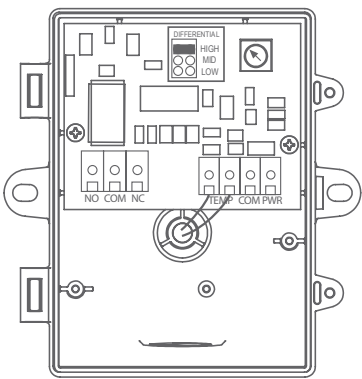
THERMOWELL PLACEMENT



ACCESSORIES - INCLUDED WITH F ENCLOSURE OPTION

		
CABLE GLAND FITTING	THREAD ADAPTER 1/2" NPT TO M16	

WIRING INFORMATION

	<table border="1"> <thead> <tr> <th>TERMINAL</th> <th>FUNCTION</th> </tr> </thead> <tbody> <tr> <td>PWR</td> <td>Power Supply</td> </tr> <tr> <td>COM</td> <td>Power Supply Common</td> </tr> <tr> <td>TEMP (2)</td> <td>Temperature Sensor Input</td> </tr> <tr> <td>NO</td> <td>Relay Output - Normally Open Contact</td> </tr> <tr> <td>COM</td> <td>Relay Common</td> </tr> <tr> <td>NC</td> <td>Relay Output - Normally Closed Contact</td> </tr> </tbody> </table>	TERMINAL	FUNCTION	PWR	Power Supply	COM	Power Supply Common	TEMP (2)	Temperature Sensor Input	NO	Relay Output - Normally Open Contact	COM	Relay Common	NC	Relay Output - Normally Closed Contact
TERMINAL	FUNCTION														
PWR	Power Supply														
COM	Power Supply Common														
TEMP (2)	Temperature Sensor Input														
NO	Relay Output - Normally Open Contact														
COM	Relay Common														
NC	Relay Output - Normally Closed Contact														

ORDERING

PRODUCT	TLAP	All Purpose Duct/Immersion Low Limit Thermostat
ENCLOSURE	B F	Polycarbonate, with hinged and gasketed cover Same as B, with thread adapter (1/2" NPT to M16) and cable gland fitting
SENSOR	24	10,000Ω, Type 2, NTC Thermistor, ±0.2°C
PROBE LENGTH	A B C D E F	50mm (2") 100mm (4") 150mm (6") 200mm (8") 300mm (12") 450mm (18")
ADJUSTABLE SETPOINT RANGE	01	-4 to 10°C (25 to 50°F)

PART NUMBER

TLAP

NOTE: Greystone Energy Systems, Inc. reserves the right to make design modifications without prior notice.



Greystone Energy Systems, Inc.
150 English Drive, Moncton,
New Brunswick, Canada E1E 4G7

Ph: +1 (506) 853-3057 Fax: +1 (506) 853-6014
North America: 1-800-561-5611
E-mail: mail@greystoneenergy.com