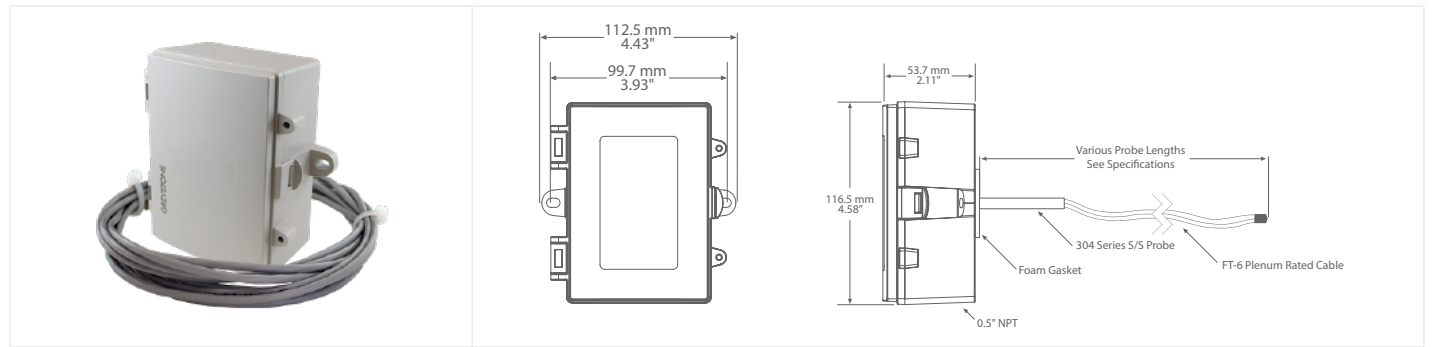




FLEXIBLE CABLE DUCT AVERAGE HIGH LIMIT THERMOSTAT



TLDF SERIES

PRODUCT DESCRIPTION

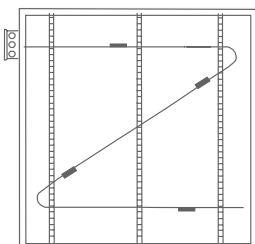
The flexible, multi-point duct averaging low limit thermostat incorporates several precision thermistor temperature sensors and provides a Form C relay output (NO/NC) with an adjustable setpoint. The probe is FT-6 plenum rated cable and is available in various lengths (see ordering chart). All probes are constructed to provide excellent heat transfer and a fast response. A hinged and gasketed Polycarbonate enclosure is provided for ease of installation.

TYPICAL INSTALLATION

For complete installation and wiring details, please refer to the product installation instructions.

The flex-duct average probes are installed through a hole in the side of the duct to monitor an average temperature within the duct. Select a probe length that allows for criss-crossing the duct multiple times. Install the probes in a straight section of duct at a suitable distance downstream from any heating, cooling, or humidification devices. **The cable probe needs to be fastened onto hangers using tube clamps or wire ties and should be secured every 100 cm or 3' maximum to prevent movement of the wire and prevent wear. If sensor is to be used in high velocity or vibration environment use of rigid style duct probe is recommended.**

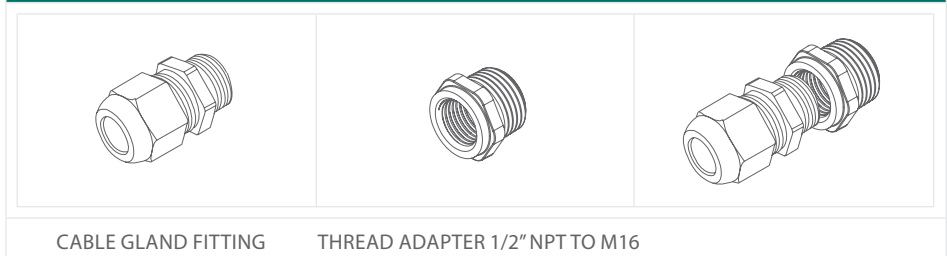
The enclosure provides mounting tabs for ease of installation.



SPECIFICATIONS

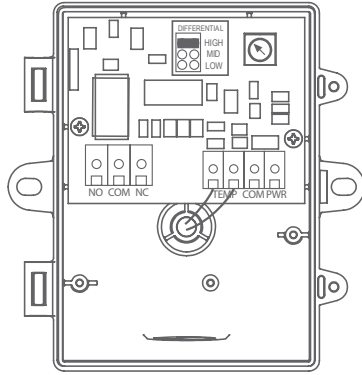
POWER SUPPLY	12 to 28 Vac/dc
SENSOR ACCURACY	±0.2°C, 0 to 70°C (±0.36°F, 32 to 158°F)
PROBE SENSING RANGE	-20 to 60°C (-4 to 140°F)
PROBE MATERIAL	FT-6 plenum rated cable, 22 AWG
STANDARD LENGTHS	1800mm, 3600mm, 6100mm, 7300mm (6', 12', 20', 24')
CONSUMPTION	50 mA max
RELAY CONTACTS	SPDT, Form C contacts (N.O. and N.C.) 5 Amps @ 30 Vdc/250 Vac resistive 1.5 Amps @ 30 Vdc/250 vac inductive
RELAY ACTION	Activates on temperature fall
SETPOINT OPERATION	Single-turn knob-pot on PCB
ADJUSTABLE SETPOINT	-4 to 10°C (25 to 50°F)
SETPOINT TEMPERATURE	Low: 1.1°C (2°F) Mid: 2.8°C (5°F) High: 5.6°C (10°F) Jumper selectable
TEMPERATURE SENSOR	10,000Ω curve matched precision thermistor
AMBIENT OPERATING RANGE	-40 to 50°C (40 to 122°F), 5 to 95 %RH, non-condensing
STORAGE CONDITIONS	-30 to 70°C (-22 to 158°F), 5 to 95 %RH, non-condensing
WIRING CONNECTIONS	Screw terminal block (14 to 22 AWG)
ENCLOSURE	B: Grey polycarbonate UL94-V0, IP65 (NEMA 4X) F: Same as B with thread adapter (1/2" NPT to M16) and cable gland fitting
COUNTRY OF ORIGIN	Canada

ACCESSORIES - INCLUDED WITH F ENCLOSURE OPTION





WIRING INFORMATION



TERMINAL	FUNCTION
PWR	Power Supply
COM	Power Supply Common
TEMP (2)	Temperature Sensor Input
NO	Relay Output - Normally Open Contact
COM	Relay Common
NC	Relay Output - Normally Closed Contact

ORDERING

PRODUCT	TLDF	Flexible Cable Duct Average Low Limit Thermostat
ENCLOSURE	B F	Polycarbonate, with hinged and gasketed cover Same as B, with thread adapter and cable gland fitting
SENSOR	24	10,000Ω, Type 2, NTC Thermistor, ±0.2°C
PROBE LENGTH	I J K L	1800mm (6') – 4 sensors 3600mm (12') – 4 sensors 6100mm (20') – 4 sensors 7300mm (24') – 9 sensors
ADJUSTABLE SETPOINT RANGE	01	-4 to 10°C (25 to 50°F)

PART NUMBER

TLDF

NOTE: Greystone Energy Systems, Inc. reserves the right to make design modifications without prior notice.