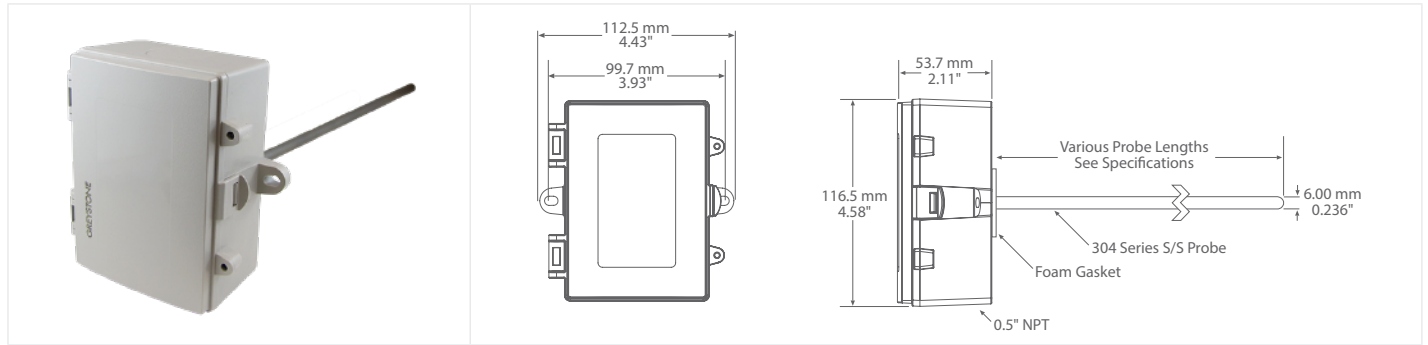




RIGID DUCT AVERAGE LOW LIMIT THERMOSTAT



TLDR SERIES

PRODUCT DESCRIPTION

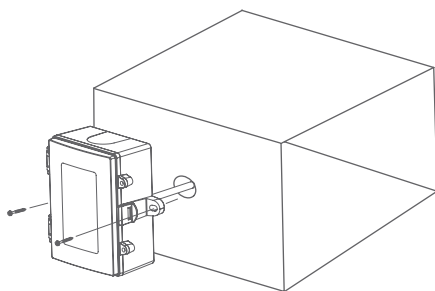
The multi point rigid duct average low limit thermostat incorporates several precision thermistor temperature sensors and provides a Form C relay output (NO/NC) with an adjustable setpoint. The sensor is encapsulated in 6 mm (0.236") OD, 304 series stainless steel probe and is available in various lengths (see ordering chart) All probes provide excellent heat transfer, fast response and resistance to moisture penetration. A weatherproof Polycarbonate enclosure is included for ease of installation.

TYPICAL INSTALLATION

For complete installation and wiring details, please refer to the product installation instructions.

The duct type probes are installed through a hole in the side of the duct to monitor a single point temperature within the duct. Since the probes are tip sensitive, select a probe length that places the sensor well into the duct. Install the probe in a straight section of duct at a suitable distance downstream from any heating, cooling or humidification devices.

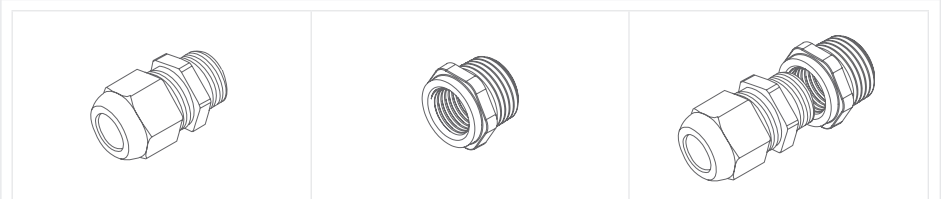
The enclosure provides mounting tabs for ease of installation.



SPECIFICATIONS

| | |
|-------------------------|---|
| SENSOR TYPE | 12 to 28 Vac/dc |
| SENSOR ACCURACY | ±0.2°C, 0 to 70°C (±0.36°F, 32 to 158°F) |
| PROBE SENSING RANGE | -40 to 60°C (-40 to 140°F) |
| PROBE MATERIAL | 304 series stainless steel |
| PROBE DIAMETER | 6mm (0.236") |
| STANDARD LENGTHS | 450mm, 600mm, 900mm (18", 24", 36") |
| WIRE MATERIAL | PVC/Kynar, 28 AWG |
| CONSUMPTION | 50 mA max |
| RELAY CONTACTS | SPDT, Form C contacts (N.O. and N.C.) 5 Amps @ 30 Vdc/250 Vac resistive 1.5 Amps @ 30 Vdc/250 vac inductive |
| RELAY ACTION | Activates on temperature fall |
| SETPPOINT OPERATION | Single-turn knob-pot on PCB |
| ADJUSTABLE SETPOINT | -4 to 10°C (25 to 50°C) |
| SETPPOINT TEMPERATURE | Low: 1.1°C (2°F) Mid: 2.8°C (5°F) High: 5.6°C (10°F) Jumper selectable |
| TEMPERATURE SENSOR | 10,000Ω curve matched precision thermistor |
| AMBIENT OPERATING RANGE | -40 to 50°C (-40 to 122°F), 5 to 95 %RH, non-condensing |
| STORAGE CONDITIONS | -30 to 70°C (-22 to 158°F), 5 to 95 %RH, non-condensing |
| WIRING CONNECTIONS | Screw terminal block (14 to 22 AWG) |
| ENCLOSURE | B: Grey polycarbonate UL94-V0, IP65 (NEMA 4X) F: Same as B with thread adapter (1/2" NPT to M16) and cable gland fitting |
| COUNTRY OF ORIGIN | Canada |

ACCESSORIES - INCLUDED WITH F ENCLOSURE OPTION

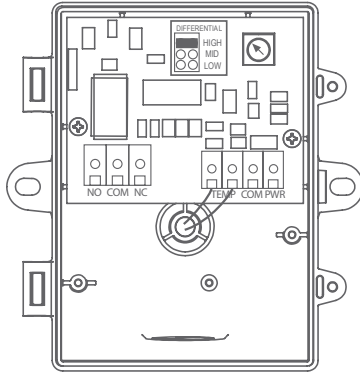


CABLE GLAND FITTING

THREAD ADAPTER 1/2" NPT TO M16



WIRING INFORMATION



| TERMINAL | FUNCTION |
|----------|--|
| PWR | Power Supply |
| COM | Power Supply Common |
| TEMP (2) | Temperature Sensor Input |
| NO | Relay Output - Normally Open Contact |
| COM | Relay Common |
| NC | Relay Output - Normally Closed Contact |

ORDERING

| PRODUCT | TLDR | Rigid Duct Average Low Limit Thermostat |
|---------------------------|----------------------------------|---|
| ENCLOSURE | B F | Polycarbonate, with hinged and gasketed cover Same as B, with thread adapter and cable gland fitting |
| SENSOR | 24 | 10,000Ω, Type 2, NTC Thermistor, ±0.2°C |
| PROBE LENGTH | F G H | 450 mm (18") 600 mm (24") 900 mm (36") |
| ADJUSTABLE SETPOINT RANGE | 01 | -4 to 10°C (25 to 50°F) |

PART NUMBER

| TLDR |
|------|
| |
| |
| |
| |

NOTE: Greystone Energy Systems, Inc. reserves the right to make design modifications without prior notice.