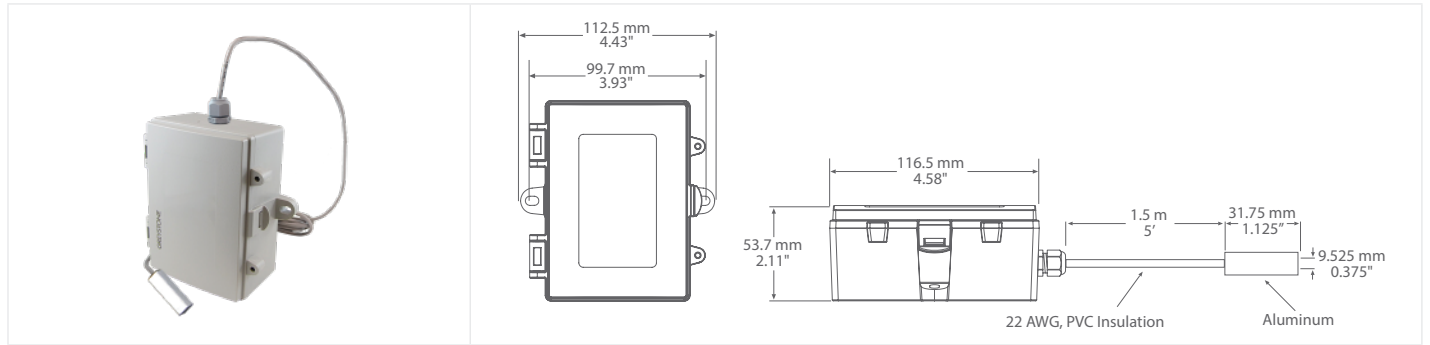




## GLASS LOW LIMIT THERMOSTAT



### TLGL SERIES

### PRODUCT DESCRIPTION

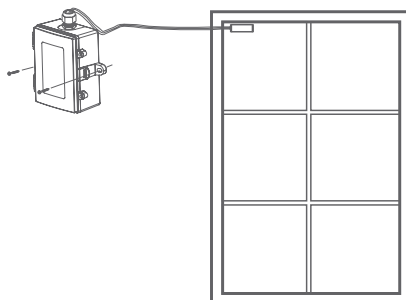
The single point glass low limit thermostat incorporates a precision thermistor temperature sensor and provides a Form C relay output (NO/NC) with an adjustable setpoint. The sensor is encapsulated in a 31.75mm L x 9.525mm W x 9.525mm H (1.25" x .375" x .375") Aluminum probe. Standard wire length is 1.5 m (5'). All probes are constructed to provide excellent heat transfer, fast response and are potted to resist moisture penetration. A hinged and gasketed Polycarbonate enclosure is included for ease of installation.

### TYPICAL INSTALLATION

**For complete installation and wiring details, please refer to the product installation instructions.**

Find a suitable location on an exterior window where both the probe and enclosure can be mounted. On one side apply epoxy compound and press firmly against the glass. Hold in place until the epoxy has set.

Enclosure provides mounting tabs for ease of installation.



### SPECIFICATIONS

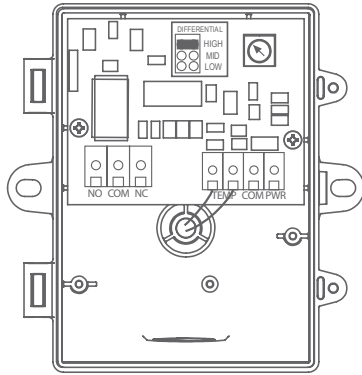
POWER SUPPLY	12 to 28 Vac/dc
SENSOR ACCURACY	±0.2°C, 0 to 70°C (±0.36°F, 32 to 158°F)
PROBE SENSING RANGE	-40 to 100°C (-40 to 212°F)
PROBE MATERIAL	Aluminum
PROBE DIMENSIONS	31.75 mm L x 9.525 mm W x 9.525 mm H (1.25" x 0.375" x 0.375")
WIRE MATERIAL	PVC insulated, parallel bonded
WIRE LENGTH	1.5m (5')
CONSUMPTION	50 mA max
RELAY CONTACTS	SPDT, Form C contacts (N.O. and N.C.) 5 Amps @ 30 Vdc/250 Vac resistive 1.5 Amps @ 30 Vdc/250 vac inductive
RELAY ACTION	Activates on temperature fall
SETPPOINT OPERATION	Single-turn knob-pot on PCB
ADJUSTABLE SETPOINT	-4 to 10°C (25 to 50°C)
TEMPERATURE DIFFERENTIAL	<b>Low:</b> 1.1°C (2°F) <b>Mid:</b> 2.8°C (5°F) <b>High:</b> 5.6°C (10°F) Jumper selectable
TEMPERATURE SENSOR	10,000Ω curve matched precision thermistor
AMBIENT OPERATING RANGE	-40 to 50°C (-40 to 122°F), 5 to 95 %RH, non-condensing
STORAGE CONDITIONS	-30 to 70°C (-22 to 158°F), 5 to 95 %RH, non-condensing
WIRING CONNECTIONS	Screw terminal block (14 to 22 AWG)
ENCLOSURE	<b>B:</b> Grey polycarbonate UL94-V0, IP65 (NEMA 4X) <b>F:</b> Same as B with thread adapter (1/2" NPT to M16) and cable gland fitting
COUNTRY OF ORIGIN	Canada

### ACCESSORIES - INCLUDED WITH F ENCLOSURE OPTION





## WIRING INFORMATION



TERMINAL	FUNCTION
PWR	Power Supply
COM	Power Supply Common
TEMP (2)	Temperature Sensor Input
NO	Relay Output - Normally Open Contact
COM	Relay Common
NC	Relay Output - Normally Closed Contact

## ORDERING

PRODUCT	TLGL	
ENCLOSURE	<b>B</b> <b>F</b>	Glass Low Limit Thermostat Polycarbonate, with hinged and gasketed cover Same as B, with thread adapter and cable gland fitting
SENSOR	<b>24X</b>	10,000Ω, Type 2, NTC Thermistor, ±0.2°C
ADJUSTABLE SETPOINT RANGE	<b>01</b>	-4 to 10°C (25 to 50°F)

## PART NUMBER

TLGL

NOTE: Greystone Energy Systems, Inc. reserves the right to make design modifications without prior notice.