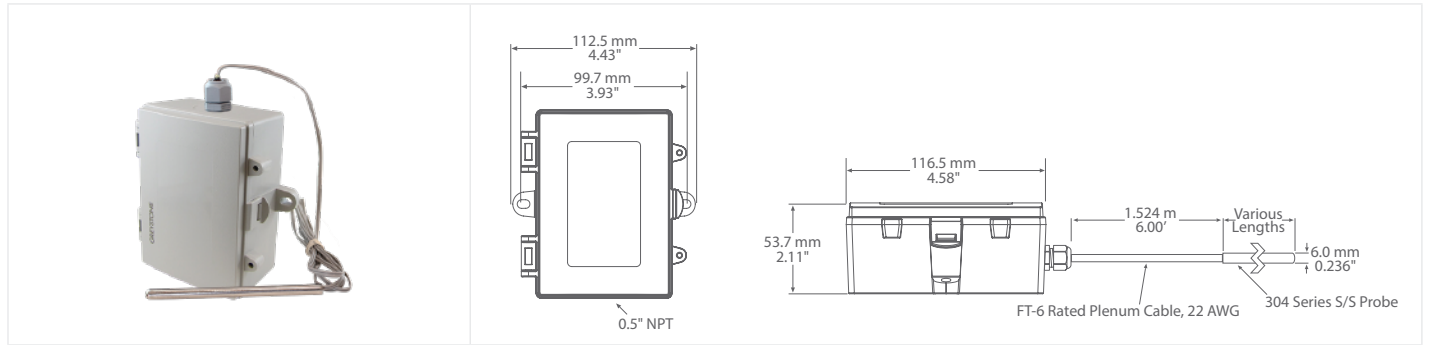




REMOTE PROBE STRAP-ON LOW LIMIT THERMOSTAT



TLRP SERIES

PRODUCT DESCRIPTION

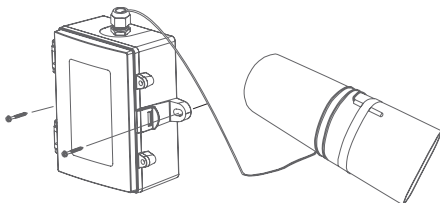
The single point strap-on low limit thermostat incorporates a precision thermistor temperature sensor and provides a Form C relay output (NO/NC) with an adjustable setpoint. The sensor is encapsulated in a 6 mm (0.236") OD, 304 stainless steel probe and is available in various lengths (see ordering chart). Standard wire length is 5' (1.5 m). All probes are constructed to provide excellent heat transfer, fast response and are potted to resist moisture penetration. A hinged and gasketed Polycarbonate enclosure is included for ease of installation.

TYPICAL INSTALLATION

For complete installation and wiring details, please refer to the product installation instructions.

For best results, thermal conductive compound should be applied to pipe prior to mounting the probe.

Find a suitable location along the pipe where both the probe and remote enclosure can be mounted. If necessary, remove a section of insulation from pipe. Position probe directly on the pipe and secure using a pipe clamp. For added security, make 1 to 3 loops of the sensor cable around the pipe and feed through wire hole on the enclosure and secure using the supplied grommet. If applicable, the pipe insulation can be re-applied to the pipe over the probe.



SPECIFICATIONS

POWER SUPPLY	12 to 28 Vac/dc
SENSOR ACCURACY	±0.2°C, 0 to 70°C (±0.36°F, 32 to 158°F)
PROBE SENSING RANGE	-40 to 100°C (-40 to 212°F)
PROBE MATERIAL	304 series stainless steel
PROBE DIAMETER	6 mm (0.236")
PROBE LENGTH	50 mm, 100 mm, 150 mm, 200 mm (2", 4", 6", 8")
WIRE MATERIAL	PVC insulated, parallel bonded
CONSUMPTION	50 mA max
RELAY CONTACTS	SPDT, Form C contacts (N.O. and N.C.) 5 Amps @ 30 Vdc/250 Vac resistive 1.5 Amps @ 30 Vdc/250 vac inductive
RELAY ACTION	Activates on temperature fall
SETPOINT OPERATION	Single-turn knob-pot on PCB
ADJUSTABLE SETPOINT	-4 to 10°C (25 to 50°F)
TEMPERATURE DIFFERENTIAL	Low: 1.1°C (2°F) Mid: 2.8°C (5°F) High: 5.6°C (10°F) Jumper selectable
TEMPERATURE SENSOR	10,000Ω curve matched precision thermistor
AMBIENT OPERATING RANGE	-40 to 50°C (-40 to 122°F), 5 to 95 %RH, non-condensing
STORAGE CONDITIONS	-30 to 70°C (-22 to 158°F), 5 to 95 %RH, non-condensing
WIRING CONNECTIONS	Screw terminal block (14 to 22 AWG)
ENCLOSURE	B: Grey polycarbonate UL94-V0, IP65 (NEMA 4X) F: Same as B with thread adapter (1/2" NPT to M16) and cable gland fitting
COUNTRY OF ORIGIN	Canada

ACCESSORIES - INCLUDED WITH F ENCLOSURE OPTION

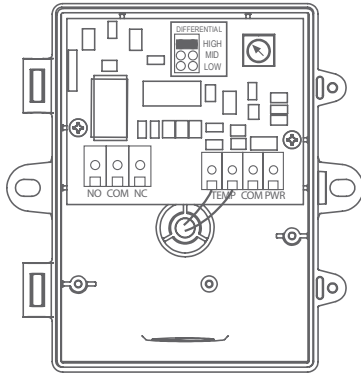


CABLE GLAND FITTING

THREAD ADAPTER 1/2" NPT TO M16



WIRING INFORMATION



TERMINAL	FUNCTION
PWR	Power Supply
COM	Power Supply Common
TEMP (2)	Temperature Sensor Input
NO	Relay Output - Normally Open Contact
COM	Relay Common
NC	Relay Output - Normally Closed Contact

ORDERING

PRODUCT	TLRP	Remote Probe Strap-on Low Limit Thermostat
ENCLOSURE	B F	Polycarbonate, with hinged and gasketed cover Same as B, with thread adapter and cable gland fitting
SENSOR	24	10,000Ω, Type 2, NTC Thermistor, ±0.2°C
PROBE LENGTH	A B C D	50 mm (2") 100 mm (4") 150 mm (6") 200 mm (8")
ADJUSTABLE SETPOINT RANGE	01	-4 to 10°C (25 to 50°F)

PART NUMBER

TLRP

NOTE: Greystone Energy Systems, Inc. reserves the right to make design modifications without prior notice.



Greystone Energy Systems, Inc.
150 English Drive, Moncton,
New Brunswick, Canada E1E 4G7

Ph: +1 (506) 853-3057 Fax: +1 (506) 853-6014
North America: 1-800-561-5611
E-mail: mail@greystoneenergy.com