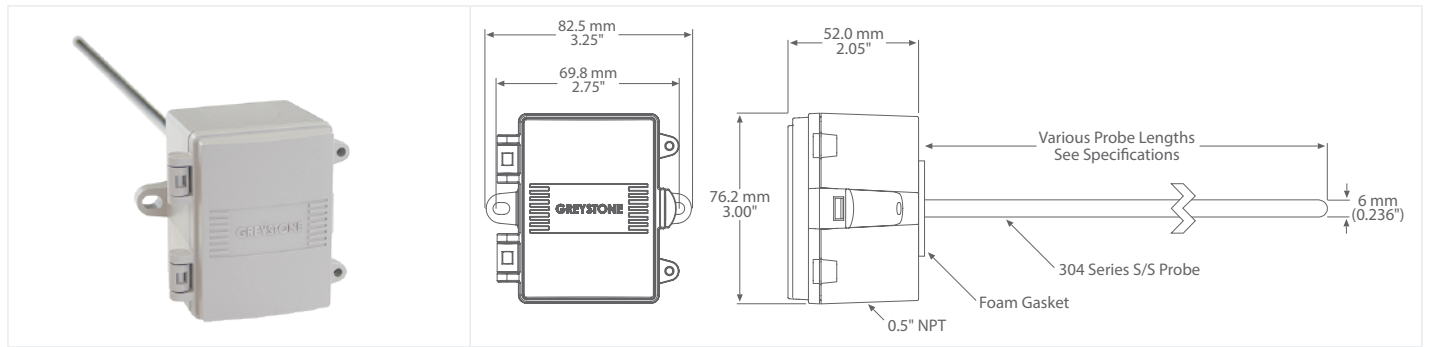




RIGID DUCT AVERAGE TEMPERATURE SENSOR



TSDR SERIES

PRODUCT DESCRIPTION

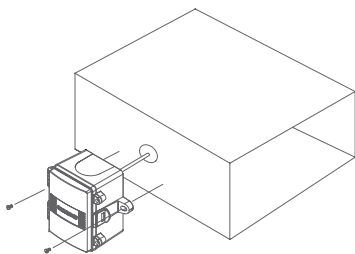
The multi-point rigid duct average temperature sensor utilizes several precision sensors spaced at equal distances and encapsulated in 6mm (0.236") OD, 304 series stainless steel probe and is available in various lengths. All probes provide excellent heat transfer, fast response and resistance to moisture penetration.

TYPICAL INSTALLATION

For complete installation and wiring details, please refer to the product installation instructions.

The rigid duct average type probes are installed in the side of the duct to monitor the average temperature within the duct. Select a probe length that allows the probe to span the duct width. Install the probe in a straight section of duct at a suitable distance downstream from any heating, cooling, or humidification devices.

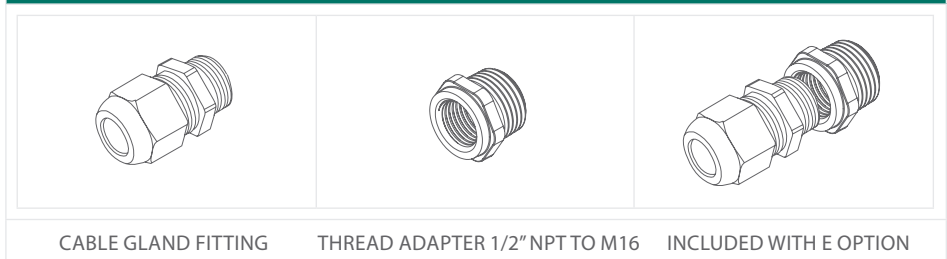
Each enclosure style provides mounting tabs on the outside of the enclosure for ease of installation.



SPECIFICATIONS

SENSOR TYPE	Thermistor or RTD (see ordering chart)
SENSOR ACCURACY	Thermistors: $\pm 0.2^{\circ}\text{C}$ ($\pm 0.36^{\circ}\text{F}$) @ 25°C (77°F) Platinum RTD's: $\pm 0.3^{\circ}\text{C}$ ($\pm 0.54^{\circ}\text{F}$) @ 0°C (32°F) Nickel RTD's: $\pm 0.4^{\circ}\text{C}$ ($\pm 0.72^{\circ}\text{F}$) @ 0°C (32°F)
PROBE SENSING RANGE	-20 to 60°C (-4 to 140°F)
AMBIENT OPERATING RANGE	-40 to 50°C (-40 to 122°F)
WIRE MATERIAL	PVC/Kynar, 28 AWG
STANDARD LENGTHS	450, 600, 900mm (18", 24", 36")
ENCLOSURE	ABS, UL94-V0, IP65 (NEMA 4X) C: includes terminal block E: same as C, with thread adapter (1/2" NPT to M16), and cable gland fitting
TERMINATION	A: pigtail, 2 or 3 wire C & E: terminal block, 2 or 3 wire
COUNTRY OF ORIGIN	Canada

ACCESSORIES - INCLUDED WITH E ENCLOSURE OPTION



CABLE GLAND FITTING

THREAD ADAPTER 1/2" NPT TO M16

INCLUDED WITH E OPTION



ORDERING			PART NUMBER
PRODUCT	TSDR	Rigid Duct Average Temperature Sensor	TSDR
ENCLOSURE	A C E	ABS, with hinged and gasketed cover Same as A, with terminal block Same as C, with thread adapter and cable gland fitting	
SENSOR	02 05 06 07 08 12 13 14 20 24 59	100 Ω Platinum, IEC 751, 385 Alpha, thin film 1801 Ω NTC Thermistor, ±0.2°C 3000 Ω NTC Thermistor, ±0.2°C 10,000 Ω Type 3, NTC Thermistor, ±0.2°C 2.252K Ω NTC Thermistor, ±0.2°C 1000 Ω Platinum, IEC 751, 385 Alpha, thin film 1000 Ω Nickel, Class B, DIN 43760 10,000 Ω Type 3, NTC Thermistor, ±0.2°C c/w 11K shunt resistor 20,000 Ω NTC Thermistor, ±0.2°C 10,000 Ω Type 2, NTC Thermistor, ±0.2°C 10,000 Ω, 25°C, ±1%, B = 3435 ±1% (25/85)	
PROBE LENGTH	F G H	450mm (18") 600mm (24") 900mm (36")	

NOTE: Greystone Energy Systems, Inc. reserves the right to make design modifications without prior notice.



Greystone Energy Systems, Inc.
150 English Drive, Moncton,
New Brunswick, Canada E1E 4G7

Ph: +1 (506) 853-3057 Fax: +1 (506) 853-6014
North America: 1-800-561-5611
E-mail: mail@greystoneenergy.com