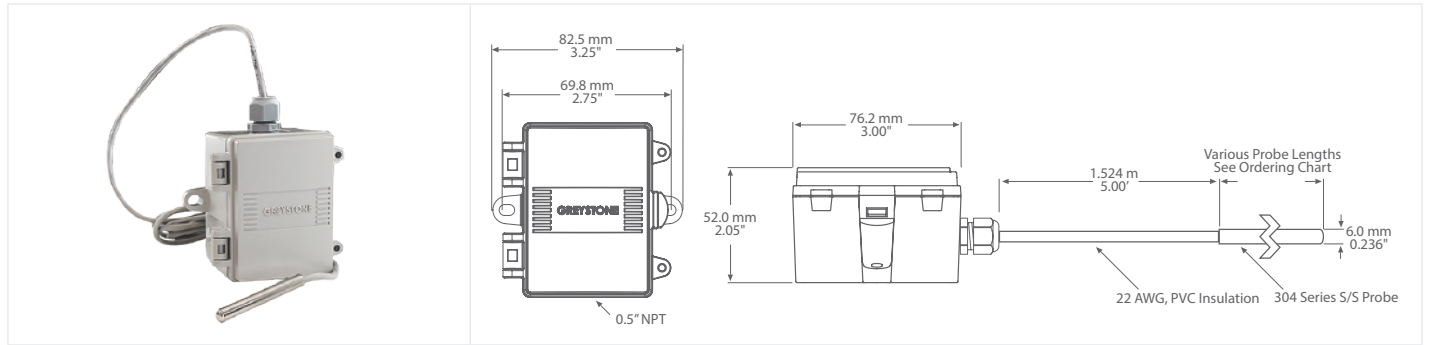




## REMOTE PROBE STRAP-ON TEMPERATURE SENSOR



### TSRP SERIES

### PRODUCT DESCRIPTION

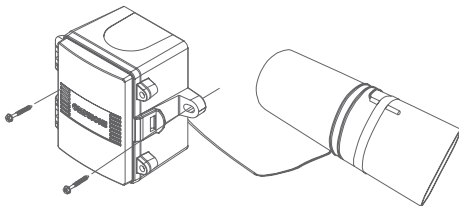
The single point remote probe strap-on temperature sensor utilizes a precision sensor encapsulated in a 6mm (0.236") OD, 304 series stainless steel probe and is available in various lengths. Standard wire length is 1.5m (5'). All probes are constructed to provide excellent heat transfer, fast response and are potted to resist moisture penetration.

### TYPICAL INSTALLATION

**For complete installation and wiring details, please refer to the product installation instructions.**

**For best results, thermal conductive compound should be applied to pipe prior to mounting the probe.**

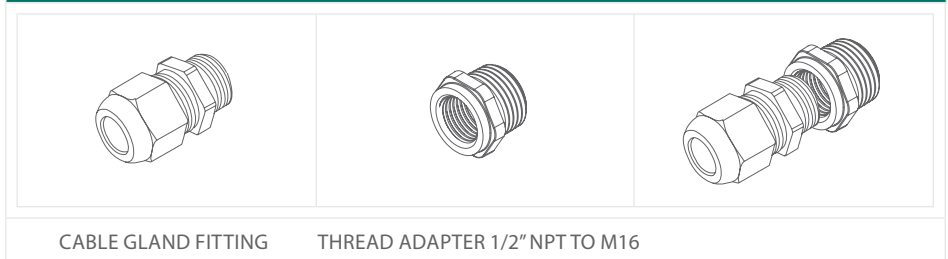
Find a suitable location along the pipe where both the probe and remote enclosure can be mounted. If necessary, remove a section of insulation from the pipe. Position the probe directly on the pipe and secure using a pipe clamp. For added security, make 1 to 3 loops of the sensor cable around the pipe and feed through wire hole on the enclosure and secure using the supplied grommet. If applicable, the pipe insulation can be re-applied to the pipe over the probe.

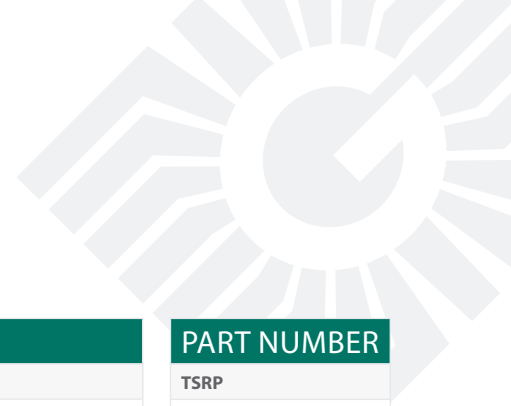


### SPECIFICATIONS

SENSOR TYPE	Thermistor or RTD (see ordering chart)
SENSOR ACCURACY	<b>Thermistors:</b> $\pm 0.2^{\circ}\text{C}$ ( $\pm 0.36^{\circ}\text{F}$ ) @ $25^{\circ}\text{C}$ ( $77^{\circ}\text{F}$ ) <b>Platinum RTD's:</b> $\pm 0.3^{\circ}\text{C}$ ( $\pm 0.54^{\circ}\text{F}$ ) @ $0^{\circ}\text{C}$ ( $32^{\circ}\text{F}$ ) <b>Nickel RTD's:</b> $\pm 0.4^{\circ}\text{C}$ ( $\pm 0.72^{\circ}\text{F}$ ) @ $0^{\circ}\text{C}$ ( $32^{\circ}\text{F}$ )
PROBE SENSING RANGE	-40 to $100^{\circ}\text{C}$ (-40 to $212^{\circ}\text{F}$ )
AMBIENT OPERATING RANGE	0 to $50^{\circ}\text{C}$ (32 to $122^{\circ}\text{F}$ ), 5 to 95 %RH non-condensing
WIRE MATERIAL	PVC insulated, parallel bonded, 22 AWG
WIRE LENGTH	1.524m (5')
PROBE MATERIAL	304 series stainless steel
PROBE DIAMETER	6mm (0.236")
ENCLOSURE	<b>A:</b> ABS, UL94-V0, IP65 (NEMA 4X) <b>C:</b> same as A, with a terminal block <b>E:</b> Same as C, with thread adapter and cable gland fitting
TERMINATION	<b>A:</b> Pigtail, 2 or 3 wire <b>C &amp; E:</b> Terminal block, 2 or 3 wire
COUNTRY OF ORIGIN	Canada

### ACCESSORIES - INCLUDED WITH E ENCLOSURE OPTION





ORDERING			PART NUMBER
PRODUCT	TSRP	Remote Probe Strap-on Temperature Sensor	TSRP
ENCLOSURE	A C E	ABS, with hinged and gasketed cover Same as A, with terminal block Same as C, with thread adapter and cable gland fitting	
SENSOR	02 05 06 07 08 12 13 14 20 24 59	100 Ω Platinum, IEC 751, 385 Alpha, thin film 1801 Ω NTC Thermistor, ±0.2°C 3000 Ω NTC Thermistor, ±0.2°C 10,000 Ω Type 3, NTC Thermistor, ±0.2°C 2.252K Ω NTC Thermistor, ±0.2°C 1000 Ω Platinum, IEC 751, 385 Alpha, thin film 1000 Ω Nickel, Class B, DIN 43760 10,000 Ω Type 3, NTC Thermistor, ±0.2°C c/w 11K shunt resistor 20,000 Ω NTC Thermistor, ±0.2°C 10,000 Ω Type 2, NTC Thermistor, ±0.2°C 10,000 Ω, 25°C, ±1%, B = 3435 ±1% (25/85)	
PROBE LENGTH	A B C D	50 mm (2") 100 mm (4") 150 mm (6") 200 mm (8")	

NOTE: Greystone Energy Systems, Inc. reserves the right to make design modifications without prior notice.

RoHS  
COMPLIANT



Greystone Energy Systems, Inc.  
150 English Drive, Moncton,  
New Brunswick, Canada E1E 4G7

Ph: +1 (506) 853-3057 Fax: +1 (506) 853-6014  
North America: 1-800-561-5611  
E-mail: mail@greystoneenergy.com