



SLAB TEMPERATURE SENSOR



TSSL SERIES

PRODUCT DESCRIPTION

The TSSL single point slab temperature sensor utilizes a precision sensor encapsulated in a thermal conductive coating (ZW, FT & MP) and used to measure the temperature of a concrete slab. The MS is encapsulated and potted in a 12.7 mm (0.5")D X 101.5 mm (4")L double walled, S/S probe that allows for total liquid submersion. They are available with various sensor types, wire types and lengths. All probes are constructed to provide excellent heat transfer, fast response and to resist moisture penetration.

SPECIFICATIONS

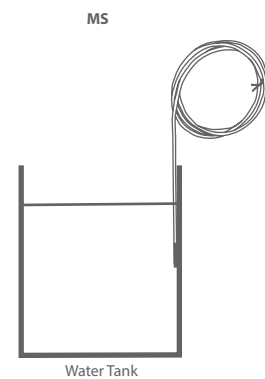
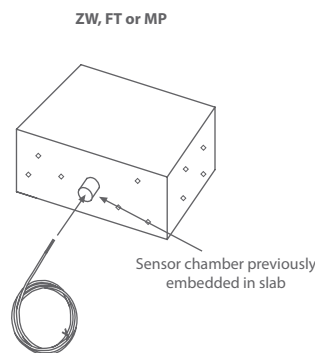
SENSOR TYPE	Various Thermistor or RTD
TEMPERATURE RANGE	ZW: -20 to 105°C (-4 to 221°F) FT: -20 to 60°C (-4 to 140°F) MP/MS: -20 to 80°C (-4 to 176°F)
WIRE MATERIAL	ZW: PVC Zip wire, 22 AWG FT: Plenum rated FT-6, 22 AWG MP: EPC Moisture proof, 20 AWG MS: EPC Moisture proof, 20 AWG
PROBE	MS: Double walled, 304 S/S, 12.7mm D x 101.5mm L (0.5" x 4")
TERMINATION	Pigtail 2 or 3 wire
COUNTRY OF ORIGIN	Canada

TYPICAL INSTALLATION

For complete installation and wiring details, please refer to the product installation instructions.

ZW, FT & MP: Typically a predetermined area is defined where the temperature reading is required. During concrete installation a sufficient length of conduit or copper tubing is imbedded from this point to an area that will be accessible once complete. At the entrance to the sensor chamber, unravel the TSSL and carefully insert sensor and feed into chamber until the chamber end is reached.

MS: Unravel the sensor and lower the probe in the tank until below the liquid line or at desired depth. Secure cable to maintain depth. The probe may also be attached to the tank wall with some form of clamp at desired depth.





ORDERING			PART NUMBER
PRODUCT	TSSLX	Slab Temperature Sensor	TSSL
SENSOR	02	100 Ω Platinum, IEC 751, 385 Alpha, thin film	
	05	1801 Ω NTC Thermistor, ±0.2°C	
	06	3000 Ω NTC Thermistor, ±0.2°C	
	07	10,000 Ω Type 3, NTC Thermistor, ±0.2°C	
	08	2.252K Ω NTC Thermistor, ±0.2°C	
	12	1000 Ω Platinum, IEC 751, 385 Alpha, thin film	
	13	1000 Ω Nickel, Class B, DIN 43760	
	14	10,000 Ω Type 3, NTC Thermistor, ±0.2°C c/w 11K shunt resistor	
	20	20,000 Ω NTC Thermistor, ±0.2°C	
	24	10,000 Ω Type 2, NTC Thermistor, ±0.2°C	
WIRE TYPE	ZW	PVC Zip Wire - 22 AWG (Not available on Sensor 02 - 100Ω Platinum)	
	FT	Plenum rated FT-6 - 22 AWG	
	MP	Moisture Proof Burial - 20 AWG	
	MS	Moisture Proof Submersible - 20 AWG	
WIRE LENGTH	001	1 m (3.3')	
	003	3 m (9.8')	
	005	5 m (16.4')	
	010	10 m (32.8')	
	020	20 m (65.6')	
	030	30 m (98.5')	
	***	Custom lengths available	

NOTE: Greystone Energy Systems, Inc. reserves the right to make design modifications without prior notice.



Greystone Energy Systems, Inc.
150 English Drive, Moncton,
New Brunswick, Canada E1E 4G7

Ph: (506) 853-3057 Fax: (506) 853-6014
North America: 1-800-561-5611
E-mail: mail@greystoneenergy.com