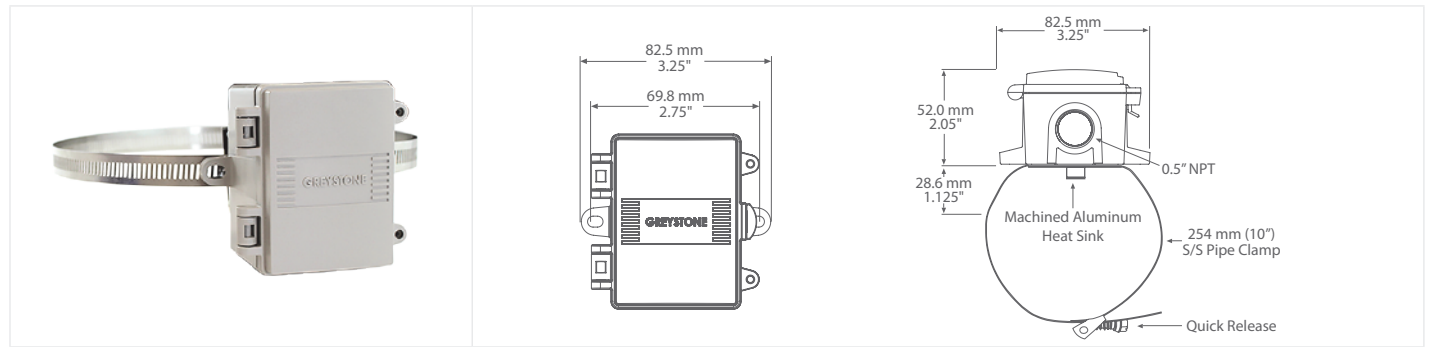




STRAP-ON TEMPERATURE SENSOR



TSSO SERIES

PRODUCT DESCRIPTION

The single point strap-on temperature sensor has a precision sensor bonded to a machined aluminum heat sink. A 254mm (10") S/S pipe clamp is provided to secure the assembly to various sizes of pipe. All probes are constructed to provide excellent heat transfer, fast response and are potted to resist moisture penetration.

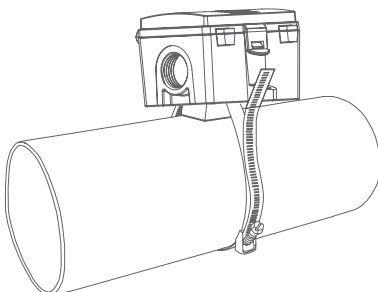
TYPICAL INSTALLATION

For complete installation and wiring details, please refer to the product installation instructions.

The single point sensor series can be mounted directly to various sizes of pipes and secured using the 10" S/S pipe clamp.

If necessary, remove a section of insulation from the pipe. The 10" S/S pipe clamp is a "Quick Release" type and can be separated by moving the tightening screw so that it is perpendicular to the clamp and sliding the clamp apart. Position the aluminum plate on the pipe so it makes the best contact, wrap the clamp around the pipe and re-assemble and tighten. Any excess clamp may be cut off.

Wiring connections are made inside the enclosure using a 2 or 3 wire pigtail.



SPECIFICATIONS

SENSOR TYPE	Thermistor or RTD (see ordering chart)
SENSOR ACCURACY	Thermistors: $\pm 0.2^{\circ}\text{C}$ ($\pm 0.36^{\circ}\text{F}$) @ 25°C (77°F) Platinum RTD's: $\pm 0.3^{\circ}\text{C}$ ($\pm 0.54^{\circ}\text{F}$) @ 0°C (32°F) Nickel RTD's: $\pm 0.4^{\circ}\text{C}$ ($\pm 0.72^{\circ}\text{F}$) @ 0°C (32°F)
PROBE SENSING RANGE	-40 to 100°C (-40 to 212°F)
AMBIENT OPERATING RANGE	-40 to 50°C (-40 to 122°F), 5 to 95 %RH non-condensing
WIRE MATERIAL	PVC insulated, parallel bonded, 22 AWG
PROBE MATERIAL	Machined aluminum heat sink
PROBE SIZE	38.1 mm x 12.7 mm (1.5" x 0.5")
ENCLOSURE	A: ABS, UL94-V0, IP65 (NEMA 4X) C: same as A, with a terminal block E: Same as C, with thread adapter and cable gland fitting
TERMINATION	A: Pigtail, 2 or 3 wire C & E: Terminal block, 2 or 3 wire
COUNTRY OF ORIGIN	Canada

ACCESSORIES - INCLUDED WITH E ENCLOSURE OPTION



CABLE GLAND FITTING

THREAD ADAPTER 1/2" NPT TO M16



ORDERING		
PRODUCT	TSSO	Strap-on Temperature Sensor
ENCLOSURE	A C E	ABS, with hinged and gasketed cover Same as A, with terminal block Same as C, with thread adapter and cable gland fitting
SENSOR	02X 05X 06X 07X 08X 12X 13X 14X 20X 24X 59X	100 Ω Platinum, IEC 751, 385 Alpha, thin film 1801 Ω NTC Thermistor, ±0.2°C 3000 Ω NTC Thermistor, ±0.2°C 10,000 Ω Type 3, NTC Thermistor, ±0.2°C 2.252K Ω NTC Thermistor, ±0.2°C 1000 Ω Platinum, IEC 751, 385 Alpha, thin film 1000 Ω Nickel, Class B, DIN 43760 10,000 Ω Type 3, NTC Thermistor, ±0.2°C c/w 11K shunt resistor 20,000 Ω NTC Thermistor, ±0.2°C 10,000 Ω Type 2, NTC Thermistor, ±0.2°C 10,000 Ω, 25°C, ±1%, B = 3435 ±1% (25/85)

PART NUMBER
TSSO

NOTE: Greystone Energy Systems, Inc. reserves the right to make design modifications without prior notice.

RoHS
COMPLIANT



Greystone Energy Systems, Inc.
150 English Drive, Moncton,
New Brunswick, Canada E1E 4G7

Ph: +1 (506) 853-3057 Fax: +1 (506) 853-6014
North America: 1-800-561-5611
E-mail: mail@greystoneenergy.com