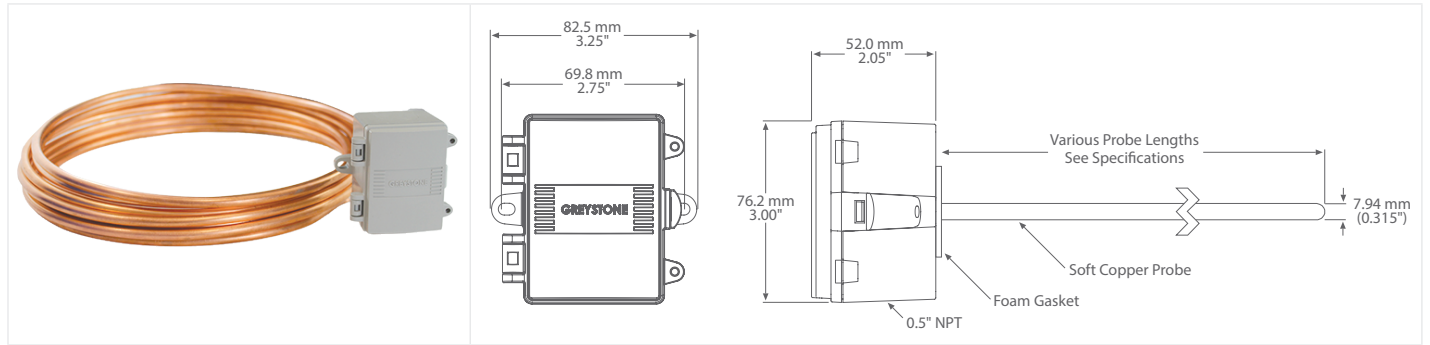




## FLEXIBLE COPPER DUCT AVERAGE TEMPERATURE TRANSMITTER



### TXDC SERIES

### PRODUCT DESCRIPTION

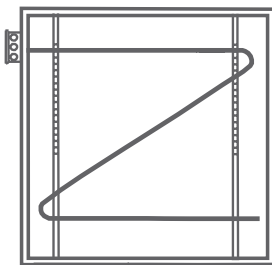
The flexible multi-point duct average temperature transmitter incorporates numerous precision platinum RTD's at equal distances and encapsulated in a 7.94mm (0.3125") OD, soft copper probe and is available in various lengths. All probes provide excellent heat transfer, fast response and resist moisture penetration. A transmitter that provides a high accuracy signal with excellent long term stability, low hysteresis and fast response is available with various ranges.

### TYPICAL INSTALLATION

**For complete installation and wiring details, please refer to the product installation instructions.**

The duct average probes are installed through a hole in the side of the duct to monitor an average temperature within the duct. Select a probe length that allows for criss-crossing the duct multiple times. Install the probes in a straight section of duct at a suitable distance downstream from any heating, cooling, or humidification devices.

The enclosure provides mounting tabs for ease of installation.



### SPECIFICATIONS

<b>SENSOR TYPE</b>	1000 Ω platinum RTD
<b>SENSOR ACCURACY</b>	±0.3°C (±0.54°F) @ 0°C (32°F)
<b>PROBE SENSING RANGE</b>	-20 to 60°C (-4 to 140°F)
<b>WIRE MATERIAL</b>	FT-6 rated plenum cable, 22 AWG
<b>PROBE MATERIAL</b>	Soft copper
<b>PROBE DIAMETER</b>	7.94 mm (0.315")
<b>STANDARD LENGTHS</b>	1800, 3600, 6100, 7300 mm (6', 12', 20', 24')
<b>OUTPUT SIGNAL</b>	4-20 mA current loop, 0-5 Vdc, or 0-10 Vdc (factory configured)
<b>TRANSMITTER ACCURACY</b>	±0.1% of span, including linearity
<b>OUTPUT DRIVE @ 24 VDC</b>	<b>Current:</b> 600 mA maximum <b>Voltage:</b> 10 KΩ minimum
<b>POWER SUPPLY</b>	<b>0-5 Vdc:</b> 10-35 Vdc or 10-28 Vac <b>0-10 Vdc:</b> 15-35 Vdc or 15-28 Vac <b>4-20 mA:</b> 15-35 Vdc (loop-powered) or 22-28 Vac
<b>CURRENT CONSUMPTION</b>	<b>Current:</b> 20 mA <b>Voltage:</b> 5 mA
<b>MAXIMUM CURRENT (VOLTAGE)</b>	5 mA nominal
<b>MAXIMUM OUTPUT (VOLTAGE)</b>	Limited to <5.5 Vdc or 0-5 Vdc, <10.5 for 0-10 Vdc
<b>INPUT VOLTAGE EFFECT</b>	Negligible over specified operating range
<b>PROTECTION CIRCUITRY</b>	Reverse voltage protected and output limited
<b>AMBIENT OPERATING RANGE</b>	-40 to 50°C (-40 to 122°F), 5 to 95 %RH non-condensing
<b>ENCLOSURE</b>	<b>A:</b> ABS, UL94-V0, IP65 (NEMA 4X) <b>E:</b> Same as A, with thread adapter (1/2" NPT to M16), and cable gland fitting
<b>TERMINATION</b>	Screw terminal block (14 to 22 AWG)
<b>APPROVALS</b>	CE
<b>COUNTRY OF ORIGIN</b>	Canada

NOTE: This product is factory calibrated and any field adjustment will void the warranty.

### ACCESSORIES - INCLUDED WITH E ENCLOSURE OPTION

