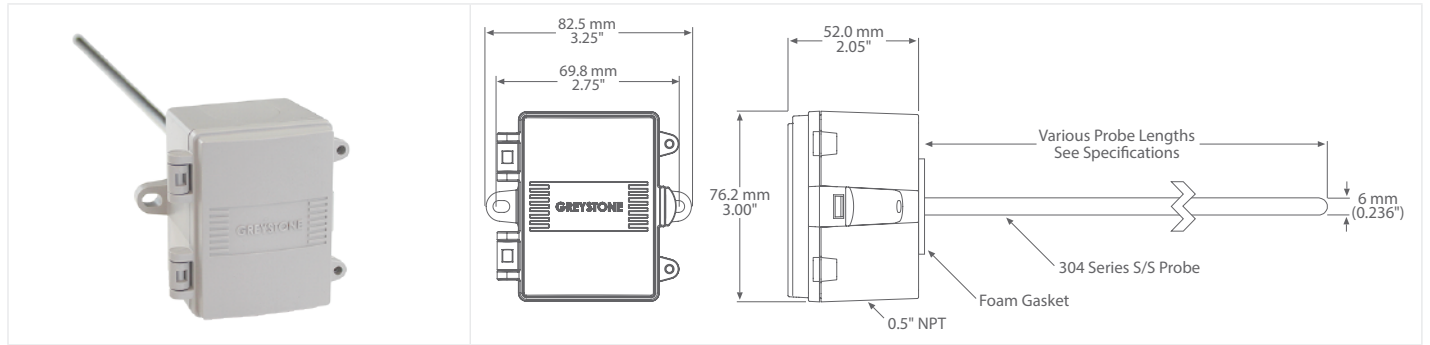




RIGID DUCT AVERAGE TEMPERATURE TRANSMITTER



TXDR SERIES

PRODUCT DESCRIPTION

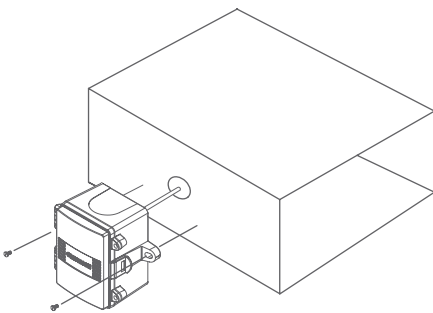
The multi-point rigid duct average temperature transmitter incorporates numerous precision platinum RTD's at equal distances, encapsulated in a 6.00mm (0.236") OD, 304 series stainless steel probe and is available in various lengths. All probes provide excellent heat transfer, fast response, and resist moisture penetration. A transmitter that provides a high accuracy signal with excellent long term stability, low hysteresis and fast response is available with various ranges.

TYPICAL INSTALLATION

For complete installation and wiring details, please refer to the product installation instructions.

The rigid duct average type probes are installed in the side of the duct to monitor the average temperature within the duct. Select a probe length that allows the probe to span the duct width. Install the probe in a straight section of duct at a suitable distance downstream from any heating, cooling, or humidification devices.

The enclosure provides mounting tabs for ease of installation.



SPECIFICATIONS

SENSOR TYPE	1000 Ω platinum RTD
SENSOR ACCURACY	±0.3°C (±0.54°F) @ 0°C (32°F)
PROBE SENSING RANGE	-40 to 60°C (-40 to 140°F)
WIRE MATERIAL	PVC/Kynar, 28 AWG
PROBE MATERIAL	304 series stainless steel
PROBE DIAMETER	6 mm (0.236")
STANDARD LENGTHS	450, 600, 900 mm (18", 24", 36")
OUTPUT SIGNAL	4-20 mA current loop, 0-5 Vdc, or 0-10 Vdc (factory configured)
TRANSMITTER ACCURACY	±0.1% of span, including linearity
OUTPUT DRIVE @ 24 VDC	Current: 600 mA maximum Voltage: 10 KΩ minimum
POWER SUPPLY	0-5 Vdc: 10-35 Vdc or 10-28 Vac 0-10 Vdc: 15-35 Vdc or 15-28 Vac 4-20 mA: 15-35 Vdc (loop-powered) or 22-28 Vac
CURRENT CONSUMPTION	Current: 20 mA Voltage: 5 mA
MAXIMUM CURRENT (VOLTAGE)	5 mA nominal
MAXIMUM OUTPUT (VOLTAGE)	Limited to <5.5 Vdc or 0-5 Vdc, <10.5 for 0-10 Vdc
INPUT VOLTAGE EFFECT	Negligible over specified operating range
PROTECTION CIRCUITRY	Reverse voltage protected and output limited
AMBIENT OPERATING RANGE	-40 to 50°C (-40 to 122°F), 5 to 95 %RH non-condensing
ENCLOSURE	A: ABS, UL94-V0, IP65 (NEMA 4X) E: Same as A, with thread adapter (1/2" NPT to M16), and cable gland fitting
TERMINATION	Screw terminal block (14 to 22 AWG)
APPROVALS	CE
COUNTRY OF ORIGIN	Canada

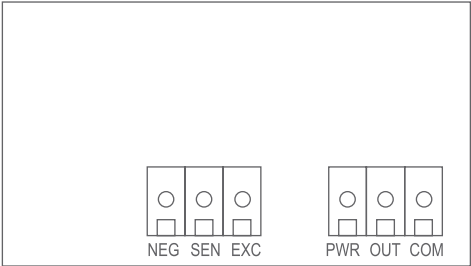
NOTE: This product is factory calibrated and any field adjustment will void the warranty.

ACCESSORIES - INCLUDED WITH E ENCLOSURE OPTION





WIRING INFORMATION

	TERMINAL	FUNCTION
	PWR	Power Supply
	OUT	Analog Output
	COM	Common
	NEG	Temperature Sensor Input
	SEN	
	EXC	

ORDERING

PRODUCT	TXDR	Rigid Duct Average Temperature Transmitter
ENCLOSURE	A E	ABS, with hinged and gasketed cover Same as C, with thread adapter and cable gland fitting
SENSOR	12	1000 Ω Platinum, IEC 751, 385 Alpha, thin film
PROBE LENGTH	F G H	450mm (18") 600mm (24") 900mm (36")
OUTPUT	A D E	4-20 mA 0-5 Vdc 0-10 Vdc
SCALED RANGE	001 002 006 *	0 to 35°C (32 to 95°F) 0 to 50°C (32 to 122°F) -50 to 50°C (-58 to 122°F) Custom ranges available

PART NUMBER

TXDR

NOTE: Greystone Energy Systems, Inc. reserves the right to make design modifications without prior notice.