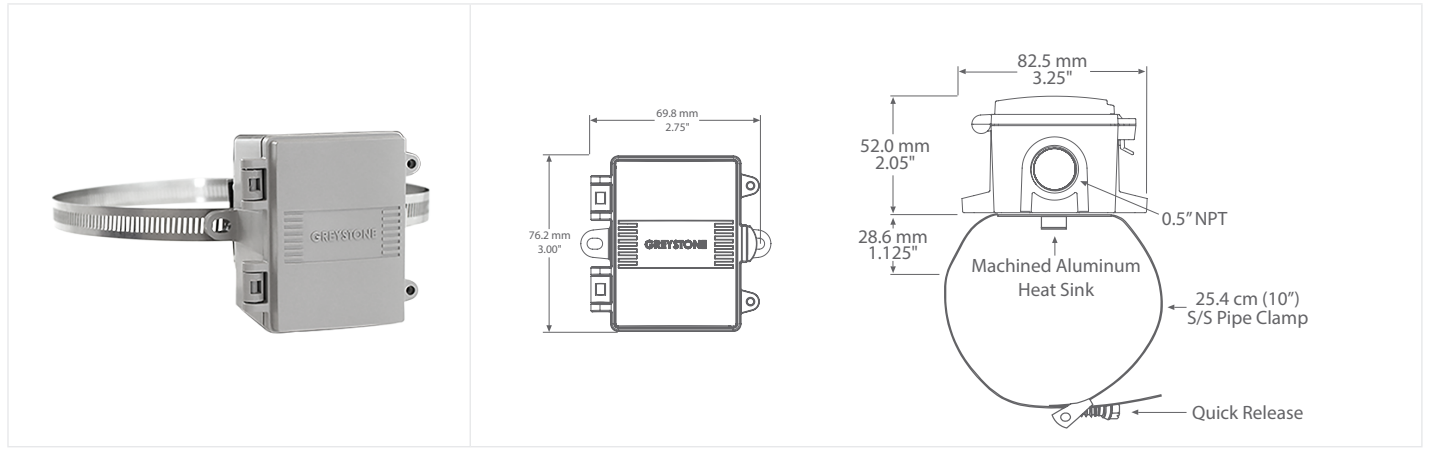




STRAP-ON TEMPERATURE TRANSMITTER



TXSO SERIES

PRODUCT DESCRIPTION

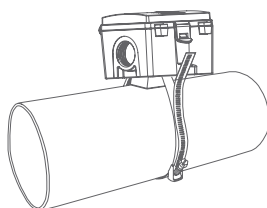
The single point strap-on temperature transmitter has a precision platinum RTD bonded to a machined aluminum heat sink. A 25.4 cm (10") S/S Pipe clamp is provided to secure the assembly to various sizes of pipes. All probes are constructed to provide excellent heat transfer, fast response and are potted to resist moisture penetration. A transmitter that provides a high accuracy signal with excellent long term stability, low hysteresis and fast response is available with various ranges.

TYPICAL INSTALLATION

For complete installation and wiring details, please refer to the product installation instructions.

The strap-on temperature transmitter series can be mounted directly to various sizes of pipes and secured using a 254 mm (10") S/S pipe clamp. The 254 mm (10") S/S pipe clamp is a "Quick Release" type and can be separated by moving the tightening screw. Position the aluminum plate on the pipe so it makes the best contact, wrap the clamp around the pipe and re-assemble and tighten. For best results, thermal conductive compound should be applied to pipe prior to mounting the probe.

Wiring connections are made inside the enclosure.



SPECIFICATIONS

SENSOR TYPE	1000 Ω platinum RTD
SENSOR ACCURACY	±0.3°C (±0.54°F) @ 0°C (32°F)
PROBE SENSING RANGE	-40 to 100°C (-40 to 212°F)
WIRE MATERIAL	PVC insulated, parallel bonded, 22 AWG
PROBE MATERIAL	Machined aluminum heat sink
PROBE DIMENSIONS	38.1mm x 12.7mm (1.5" x 0.5")
PIPE STRAP	25.4 cm (10") stainless steel
OUTPUT SIGNAL	4-20 mA current loop, 0-5 Vdc, or 0-10 Vdc (factory configured)
TRANSMITTER ACCURACY	±0.1% of span, including linearity
OUTPUT DRIVE @ 24 VDC	Current: 600 Ω maximum Voltage: 10 KΩ minimum
POWER SUPPLY	0-5 Vdc: 10-35 Vdc or 10-28 Vac 0-10 Vdc: 15-35 Vdc or 15-28 Vac 4-20 mA: 15-35 Vdc (loop-powered) or 22-28 Vac
CURRENT CONSUMPTION	Current: 20 mA Voltage: 5 mA
MAXIMUM CURRENT (VOLTAGE)	5 mA nominal
MAXIMUM OUTPUT (VOLTAGE)	Limited to <5.5 Vdc or 0-5 Vdc, <10.5 for 0-10 Vdc
INPUT VOLTAGE EFFECT	Negligible over specified operating range
PROTECTION CIRCUITRY	Reverse voltage protected and output limited
AMBIENT OPERATING RANGE	-40 to 50°C (-40 to 122°F), 5 to 95 %RH non-condensing
ENCLOSURE	A: ABS, UL94-V0, IP65 (NEMA 4X) E: Same as A, with thread adapter (1/2" NPT to M16), and cable gland fitting
TERMINATION	Screw terminal block (14 to 22 AWG)
APPROVALS	CE
COUNTRY OF ORIGIN	Canada

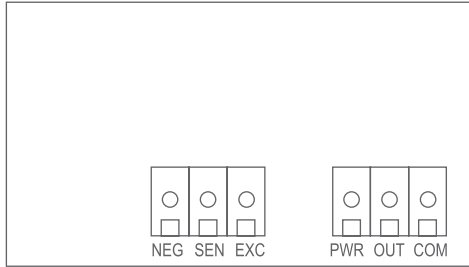
NOTE: This product is factory calibrated and any field adjustment will void the warranty.

ACCESSORIES - INCLUDED WITH E ENCLOSURE OPTION





WIRING INFORMATION



TERMINAL	FUNCTION
PWR	Power Supply
OUT	Analog Output
COM	Common
NEG	Temperature Sensor Input
SEN	
EXC	

ORDERING

PRODUCT	TXSO	Strap-on Temperature Transmitter
ENCLOSURE	A E	ABS, weatherproof with hinged and gasketed cover Same as A, with thread adapter (1/2" NPT to M16), and cable gland fitting
SENSOR	12X	1000 Ω Platinum, IEC 751, 385 Alpha, thin film
OUTPUT	A D E	4-20mA 0-5 Vdc 0-10 Vdc
SCALED RANGE	001 002 003 *	0 to 35°C (32 to 95°F) 0 to 50°C (32 to 122°F) 0 to 100°C (32 to 212°F) Custom ranges available

PART NUMBER

TXSO

NOTE: Greystone Energy Systems, Inc. reserves the right to make design modifications without prior notice.