

VBA216-P SERIES

TWO-WAY THREADED CONTROL BALL VALVE

PRODUCT DATA



GENERAL

The VBA216-P series two-way threaded control ball valves are used for modulating control or on/off control in heating, ventilating and air conditioning water systems.

FEATURES

- Equal percentage flow characteristic
- Low leakage rate
- Low driving torque
- BSPP thread
- Stainless-steel ball and stem
- Casting iron valve body

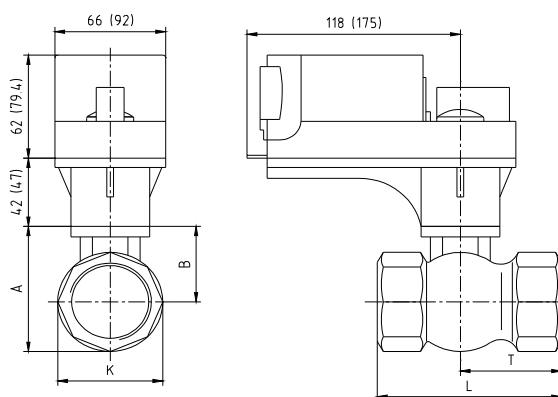
SPECIFICATIONS

Nominal size	DN20~DN80
Nominal pressure	PN16
Flow characteristic	Equal percentage
Rangeability	300:1
Leakage rate	≤0.01% of Kvs (ANSI/FCI 70-2 Class IV)
Thread	BSPP
Medium	Water or neutral liquid
Medium temperature	-5 ... 120 °C
Material	
Valve body	Cast brass (C37700)
Seat	Reinforced PTFE
Ball	Stainless Steel (SUS 304)
Stem	Stainless Steel (SUS 304)

Kvs and close-off pressure

DN	Model No.	Kvs	Close-off (kPa)	Actuator torque (Nm)
20	VBA216-020P	6.3	800	5
25	VBA216-025P	10	800	5
32	VBA216-032P	16	800	5
40	VBA216-040P	26	800	10
50	VBA216-050P	41	800	10
65	VBA216-065P	51	800	20
80	VBA216-080P	81	800	20

Dimensions (mm)



Note: The values in bracket are for 20Nm actuators.

DN	Model No.	L	T	K	A	B
20	VBA216-020P	60	34	38	49.5	30.5
25	VBA216-025P	65	38.5	44	56	34
32	VBA216-032P	75	45	54	65	38
40	VBA216-040P	85	51.5	60	78	48
50	VBA216-050P	95	56.5	73	90	53.5
65	VBA216-065P	115	63.5	92	110	64
80	VBA216-080P	130	83	109	127.5	73

Honeywell

Automation and Control Solutions

Honeywell Environmental & Combustion Controls (Tianjin) Co. Ltd.

No. 158, NanHai Road

Tianjin Economic-Technological Development Area

Tianjin, 300457, P.R.C.

Phone: +86-22-6628 7000

Fax: +86-22-2532 5214

All information is subject to change without prior notification!

ECC-FDA-BA01-DEC-2012-V01-EN