



ACVATIX™

PICVs PN 16 with flanged connections VPF43..

Pressure Independent Combi Valves

-
- With integrated pressure differential controller
 - Valve body made of gray cast iron GJL-250 or GJL-400
 - DN 50 - 200
 - Volumetric flow 15 to 280 m³/h nominal, with presetting
 - Equipped with pressure test points P/T
 - Can be equipped with SAX..P., SAV..P. or SQV..P. electromotoric actuators

Use

- For use in heating, ventilating and air conditioning systems, district heating, as a control valve.
- For closed circuits.

Type summary

	Product number	Stock number	DN	H ₁₀₀ [mm]	\dot{V}_{\min} [m ³ /h]	\dot{V}_{100} [m ³ /h]	Δp_{\min} [kPa]
Standard flow rate	VPF43.50F16 ¹⁾	S55266-V100	50	20	2.3	15	See page 6 + 7
	VPF43.65F24 ¹⁾	S55266-V102	65		4.4	25	
	VPF43.80F35 ¹⁾	S55266-V104	80		5.3	34	
	VPF43.100F70 ¹⁾	S55266-V106	100	40	12.1	68	
	VPF43.125F110	S55266-V108	125		18.5	110	
	VPF43.150F160	S55266-V110	150	43	25.6	148	
	VPF43.200F210	S55266-V148	200		95	210	

High flow rate	VPF43.50F25 ¹⁾	S55266-V101	50	20	4.3	25	See page 6 + 7
	VPF43.65F35 ¹⁾	S55266-V103	65		6	35	
	VPF43.80F45 ¹⁾	S55266-V105	80		7	43	
	VPF43.100F90 ¹⁾	S55266-V107	100	40	14.8	90	
	VPF43.125F135	S55266-V109	125		23	135	
	VPF43.150F200	S55266-V111	150	43	32	195	
	VPF43.200F280	S55266-V149	200		130	280	

¹⁾ = While stocks last

DN = nominal size

H₁₀₀ = nominal stroke

\dot{V}_{100} = volumetric flow through fully open valve (H₁₀₀)

\dot{V}_{\min} = smallest pre-settable volumetric flow through fully open valve (H₁₀₀)

Δp_{\min} = minimum differential pressure required across the valve's control path, so that the difference pressure regulator works reliably

Ordering

Example:

Product number	Stock number	Designation
VPF43.65F24	S55266-V102	PICV PN 16 with flanged connections

Delivery

PICVs, actuators and accessories are packed and supplied separately.
The valves are supplied without counter-flanges and without flange gaskets.

Revision numbers

See page 13

Equipment combinations

Valves				Actuators							
				SAX..P..		SQV..P..		SAV..P..			
		DN	H ₁₀₀ [mm]	Δp _{max} [kPa]	Δp _s [kPa]	Δp _{max} [kPa]	Δp _s [kPa]	Δp _{max} [kPa]	Δp _s [kPa]		
Standard flow rate	VPF43.50F16	50	20	600	600	600	600	-	-		
	VPF43.65F24	65									
	VPF43.80F35	80									
	VPF43.100F70	100	40	-	-			600	600	600	600
	VPF43.125F110	125									
	VPF43.150F160	150	43	-	-			600	600	600	600
	VPF43.200F210	200									
High flow rate	VPF43.50F25	50	20	600	600	600	600	-	-		
	VPF43.65F35	65									
	VPF43.80F45	80									
	VPF43.100F90	100	40	-	-			600	600	600	600
	VPF43.125F135	125									
	VPF43.150F200	150	43	-	-			600	600	600	600
	VPF43.200F280	200									

H₁₀₀ = nominal stroke

Δp_{max} = maximum permissible differential pressure across the valve's control path, valid for the entire actuating range of the motorized valve

Δp_s = maximum permissible differential pressure at which the motorized PICV will close securely against the pressure (close off pressure)

Actuator overview

Type	Stock no.	Stroke	Pos. force	Operating voltage	Positioning signal	Spring return time	Spring return direction	Positioning time	LED	Manual adjuster	Extra functions
SAX31P03	S55150-A118	20 mm	500 N	AC 230 V	3-position	-	-	30 s	-	Push and fix	1)
SAX61P03	S55150-A114			AC/DC 24 V	DC 0...10 V DC 4...20 mA 0...1000 Ω				✓		2), 3)
SAX81P03	S55150-A116			3-position	-				-		30 s
SQV91P30	S55150-A130	20 mm	1100 N	AC/DC 24 V	3-position	30 s	Pull to open or push to close ⁵⁾	< 120 s ⁵⁾	✓	Turn and fix	1), 6)
SQV91P40	S55150-A131	40 mm		AC 230 V ⁴⁾	DC 0...10 V DC 4...20 mA						
SAV31P00	S55150-A121	40 mm	1100 N	AC 230 V	3-position	-	-	120 s	-	Push and fix	1)
SAV61P00	S55150-A119			AC/DC 24 V	DC 0...10 V DC 4...20 mA 0...1000 Ω				✓		2), 3)
SAV81P00	S55150-A120			3-position	-				-		-

1) Optional accessories: Auxiliary switch, potentiometer

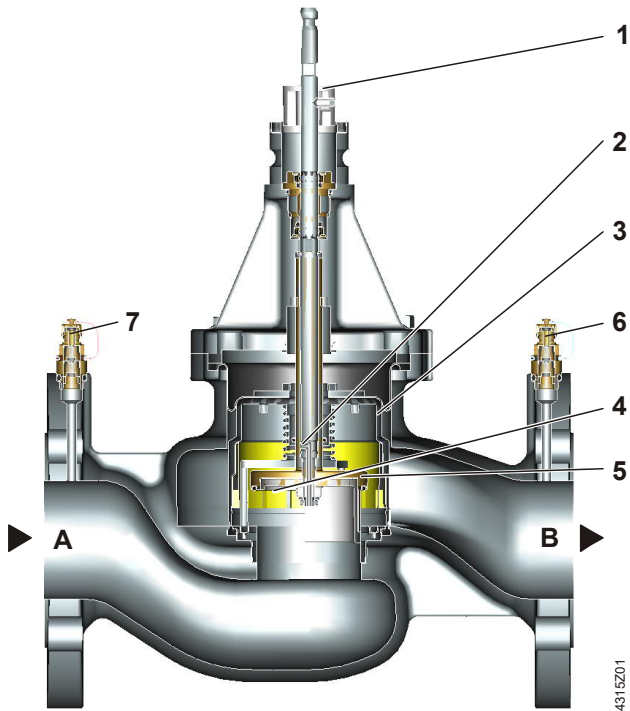
2) Position feedback, forced control, change of flow characteristic

3) Optional accessories: Auxiliary switch, sequence control, acting direction

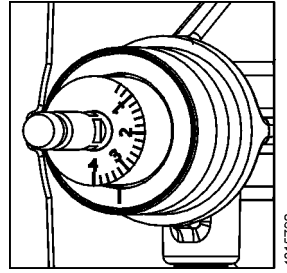
4) Voltage adapter required, order separately

5) Selectable

6) Position feedback



1 Ring with dial for presetting



2 Aperture for the differential pressure controller is linked with outlet port B

3 Differential pressure controller

4 Plug with variable presetting opening

5 Control valve

6 Pressure test point (P/T) at outlet port B, blue ribbon, P-

7 Pressure test point (P/T) at inlet port A, red ribbon, P+

A Inlet port A

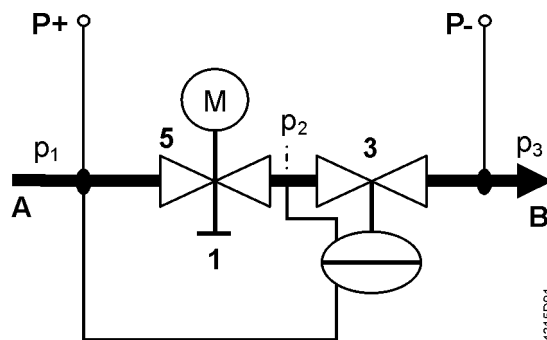
B Outlet port B

Functional principle

The PICVs VPF43.. combine three functions:

- a control valve (5) for controlling the volumetric flow,
- an adjusting mechanism (1, 4) with a dial for a presettable maximum volumetric flow,
- a differential pressure controller (3) for balancing pressure fluctuations in the hydraulic system respectively across the control valve.

The mechanical series-connected differential pressure controller keeps the differential pressure ($p_1 - p_2$) constant across the control valve and thus the set volumetric flow too. The desired maximum volumetric flow can be preset with the adjusting mechanism. The controller (not shown) and the actuator regulate the volumetric flow and consequently the desired temperature in buildings, rooms or zones.



A Inlet medium (inlet port A)

B Outlet medium (outlet port B)

1 Ring with dial for presetting

3 Differential pressure controller

5 Control valve with mounted actuator

P- = P/T port, pressure test point with blue ribbon (6)

P+ = P/T port, pressure test point with red ribbon (7)

p_1 = pressure at inlet port A of PICV

p_2 = pressure at outlet port of control valve (5)

p_3 = pressure at outlet port B of PICV

Medium flow

The medium entering the PICV (inlet port A) first passes through the control valve (5) with a linear characteristic and a stroke of 20 mm (DN 50...80) respectively 40 mm (DN 100...150). The actuator (not shown here) opens and accurately positions the control valve. Then, the medium flows through the variable presetting opening (4) which is connected to the ring with dial (1) for presetting the desired maximum volumetric flow.

Before leaving the PICV (outlet port B), the medium passes through a built-in mechanical differential pressure controller (3). This differential pressure controller is the heart of the PICV and ensures that the selected volumetric flow is maintained across the whole working range and independent of the inlet pressure p_1 .

Pressure test points

The PICV VPF43.. is equipped with two pressure test points (P+, P-) for measuring and monitoring the differential pressure across the valve during commissioning. For that purpose, the electronic manometer ALE10 can be used.

Manual control

Manual control is only possible with mounted actuator.







Advantages

The advantages of PICVs are that:

- once the flow limiter is set to design flow, the hydraulic circuit self balances, even when changes to the system are made, such as additions.
- for any heat demand the PICV with mounted actuator can be set to the desired volumetric flow and will be relatively constant regardless of pressure fluctuations in the system.

Constant flow regardless of pressure changes in the system reduces hydraulic interdependence and leads to a more stable control.

Accessories

Product no.	Stock no.		Beschreibung
ALE10	ALE10		Electronic manometer excluding measuring lines and measuring tips. Measuring range 0 .. 700 kPa. A differential pressure of more than 1000 kPa will destroy the pressure sensor. For measuring the differential pressure between P+ and P- of the PICVs (refer to diagram under "Functional principle" on page 4). Functions of the manometer: <ul style="list-style-type: none"> • Start/stop • Automatic zero position • Backlit display • Display: Out → outside the measuring range • Holding function
ALE11	ALE11		Measuring lines and straight measuring tips for use with Siemens PICVs. Equipped with G 1/8" connection with 2 x 40 mm needles.
ALP46	S55264-V115		Blanking plugs for P/T ports Connection to valve body: G 1/4" to ISO 228, inclusive O-ring
ALP47	S55264-V116		Drain ball valve inclusive O-ring Port: External threads G 1/2" to ISO 228 Connection to valve body: G 1/4" to ISO 228, inclusive O-ring Length: 48 mm
ALP48	S55264-V117		Combined P/T port and drain ball valve with blue ribbon Port: External threads G 1/8" to ISO 228 Connection to valve body: G 1/4" to ISO 228, inclusive O-ring Length: 80 mm
ALP49	S55264-V118		Long P/T ports (set of 2 pieces) Set contains 1 piece each with a red and blue ribbon. Port: External threads G 1/8" to ISO 228 Connection to valve body: G 1/4" to ISO 228, inclusive O-ring Length: 120 mm

Engineering example

Basis of design

1. Determine heat demand Q [kW]
2. Determine temperature spread ΔT [K]
3. Calculate volumetric flow

$$\dot{V} = \frac{Q[\text{kW}] \cdot 1000}{1.163 \cdot \Delta T[\text{K}]} \left[\frac{\text{l}}{\text{h}} \right]$$
4. Select suitable PICV VPF43..
5. Determine dial setting using volumetric flow/dial presetting tables, see below.

Example

1. Heat demand Q = 150 kW
2. Temperature spread ΔT = 6 K
3. Volumetric flow

$$\dot{V} = \frac{150 \text{ kW} \cdot 1000}{1.163 \cdot 6 \text{ K}} = 21654 \text{ l/h} = 21.6 \text{ m}^3/\text{h}$$

Hint: You can also determine the volumetric flow using the valve slide rule.

4. Select PICV VPF43..
 Ideally, PICVs should be selected such that they operate at about 80% of their maximum flow, enabling them to deliver spare capacity, if required.
 Selection: VPF43.65F24 Δp_{min} = 25 kPa
 VPF43.65F35 Δp_{min} = 55 kPa
5. Determine dial setting using volumetric flow/dial presetting tables:

VPF43.65F24	Volumetric flow	21.6 m ³ /h
	Dial setting	3.6
VPF43.65F35	Volumetric flow	21.6 m ³ /h
	Dial setting	2.7

Volumetric flow/dial presetting

Tables to determine the dial setting for a desired volumetric flow.
 Δp min [kPa] based on volumetric flow; interpolate missing values.

Note The presetting tables below indicate the expected nominal volumetric flow. During commissioning, check whether the current presetting corresponds to the planned design. Further adjustment of the presetting may be required to achieve the needed volumetric flow.

	Presetting range linear to VDI/VDE 2173
	Presetting range linear
	Presetting range not permitted
	Nominal flow

Standard flow rate

VPF43.50F16

16 m³/h nominal

V̇ [m ³ /h]				2.5	3.2	3.8	4.5	5.3	6	6.8	7.5	8.3	9	9.8	10.5	11.3	12	12.8	13.5	14.3	15
Dial	Min.	0.2	0.4	0.6	0.8	1	1.2	1.4	1.6	1.8	2	2.2	2.4	2.6	2.8	3	3.2	3.4	3.6	3.8	4
Δpmin [kPa]				6.5	6.5	6.5	6.8	7.1	7.4	7.7	8.0	8.8	9.6	10.4	11.2	12.0	13.5	15.2	16.8	18.5	20

VPF43.65F24

24 m³/h nominal

V̇ [m ³ /h]				4.4	5.6	6.6	7.7	8.6	9.6	10.5	11.5	12.5	13.5	14.7	15.8	17.1	18.5	19.9	21.5	23.2	25
Dial	Min.	0.2	0.4	0.6	0.8	1	1.2	1.4	1.6	1.8	2	2.2	2.4	2.6	2.8	3	3.2	3.4	3.6	3.8	4
Δpmin [kPa]				15.0	15.0	15.0	15.7	16.2	16.8	17.4	18.0	18.4	18.7	19.1	19.5	20.0	20.9	21.8	22.8	23.9	25

VPF43.80F35

35 m³/h nominal

\dot{V} [m³/h]				5.3	6.9	8.3	9.6	10.9	12.2	13.5	14.8	16.2	17.6	19.1	20.7	22.4	24.3	26.4	28.7	31.2	34
Dial	Min.	0.2	0.4	0.6	0.8	1	1.2	1.4	1.6	1.8	2	2.2	2.4	2.6	2.8	3	3.2	3.4	3.6	3.8	4
Δp_{min} [kPa]				16.0	16.0	16.0	16.4	16.8	17.2	17.6	18.0	18.4	18.7	19.1	19.6	20.0	20.8	21.7	22.7	23.8	25

VPF43.100F70

70 m³/h nominal

\dot{V} [m³/h]				12.1	15	18	21	23	25	28	30	32	35	38	40	43	47	51	56	62	68
Dial	Min.	0.2	0.4	0.6	0.8	1	1.2	1.4	1.6	1.8	2	2.2	2.4	2.6	2.8	3	3.2	3.4	3.6	3.8	4
Δp_{min} [kPa]				19.0	19.0	20.0	20.5	20.8	21.2	21.7	22.0	22.5	23.2	23.8	24.3	25.0	26.6	28.2	30.2	32.6	35

VPF43.125F110

110 m³/h nominal

\dot{V} [m³/h]				18.5	23	28	33	37	42	46	51	55	60	65	69	74	80	85	92	99	110
Dial	Min.	0.2	0.4	0.6	0.8	1	1.2	1.4	1.6	1.8	2	2.2	2.4	2.6	2.8	3	3.2	3.4	3.6	3.8	4
Δp_{min} [kPa]				16.0	16.0	16.0	16.4	16.8	17.2	17.6	18.0	18.5	19.2	19.8	20.3	21.0	23.3	25.3	28.0	30.7	35

VPF43.150F160

160 m³/h nominal

\dot{V} [m³/h]				25.6	31	38	44	51	57	63	72	76	82	89	96	104	111	120	128	137	148
Dial	Min.	0.2	0.4	0.6	0.8	1	1.2	1.4	1.6	1.8	2	2.2	2.4	2.6	2.8	3	3.2	3.4	3.6	3.8	4
Δp_{min} [kPa]				21.0	21.0	21.0	21.2	21.4	21.6	21.7	22.0	23.0	24.5	26.3	28.0	30.0	30.8	31.8	32.7	33.8	35

VPF43.200F210

210 m³/h nominal

\dot{V} [m³/h]									95	100	105	112	118	124	132	140	149	157	165	173	182	192	200	210
Dial	Min.	0.2	0.4	0.6	0.8	1	1.2	1.4	1.6	1.8	2	2.2	2.4	2.6	2.8	3	3.2	3.4	3.6	3.8	4	4	4	4
Δp_{min} [kPa]									11	12	12	14	15	16	17	19	21	22	24	26	27	29	30	32

High flow rate

VPF43.50F25

25 m³/h nominal

\dot{V} [m³/h]				4.3	5.2	6.2	7.2	8.1	9	10	11	12.1	13.2	14.3	15.4	16.5	18.2	19.9	21.6	23.3	25
Dial	Min.	0.2	0.4	0.6	0.8	1	1.2	1.4	1.6	1.8	2	2.2	2.4	2.6	2.8	3	3.2	3.4	3.6	3.8	4
Δp_{min} [kPa]				19.0	19.0	19.0	19.4	19.8	20.2	20.6	21.0	22.8	24.6	26.4	28.2	30.0	34.0	38.0	42.0	46.0	50

VPF43.65F35

35 m³/h nominal

\dot{V} [m³/h]				6.0	7.6	9.1	10.5	11.9	13.3	14.7	16.0	17.5	19.0	20.6	22.3	24.1	26.0	28.0	30.2	32.5	35
Dial	Min.	0.2	0.4	0.6	0.8	1	1.2	1.4	1.6	1.8	2	2.2	2.4	2.6	2.8	3	3.2	3.4	3.6	3.8	4
Δp_{min} [kPa]				30.0	30.0	30.0	30.4	30.8	31.2	31.6	32.0	32.6	33.1	33.7	34.3	35.0	38.5	42.2	46.2	50.4	55

VPF43.80F45

45 m³/h nominal

\dot{V} [m³/h]				7	9	11	12.8	14.5	16.2	18	19.6	21.4	23.2	25.1	27.1	29.3	31.6	34.1	36.8	39.8	43
Dial	Min.	0.2	0.4	0.6	0.8	1	1.2	1.4	1.6	1.8	2	2.2	2.4	2.6	2.8	3	3.2	3.4	3.6	3.8	4
Δp_{min} [kPa]				23.0	23.0	23.0	23.4	23.8	24.2	24.6	25.0	25.9	26.9	27.8	28.9	30.0	33.4	37.0	40.9	45.3	50

VPF43.100F90

90 m³/h nominal

\dot{V} [m³/h]				14.8	19	22	26	29	32	35	38	42	44	48	52	56	61	66	73	81	90
Dial	Min.	0.2	0.4	0.6	0.8	1	1.2	1.4	1.6	1.8	2	2.2	2.4	2.6	2.8	3	3.2	3.4	3.6	3.8	4
Δp_{min} [kPa]				29.0	29.0	30.0	31.3	32.2	33.1	34.1	35.0	37.2	38.3	40.6	42.8	45.0	49.4	53.8	60.0	67.1	75

VPF43.125F135

135 m³/h nominal

\dot{V} [m³/h]				23	29	36	42	48	53	59	64	70	76	81	87	93	100	107	114	122	135
Dial	Min.	0.2	0.4	0.6	0.8	1	1.2	1.4	1.6	1.8	2	2.2	2.4	2.6	2.8	3	3.2	3.4	3.6	3.8	4
Δp_{min} [kPa]				27.0	27.0	27.0	27.4	27.9	28.2	28.6	29.0	29.8	30.7	31.3	32.2	33.0	36.3	39.7	43.0	46.8	53

VPF43.150F200

200 m³/h nominal

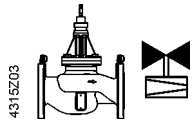
\dot{V} [m³/h]				32	40	48	57	64	72	80	88	96	104	112	121	131	141	152	165	178	195
Dial	Min.	0.2	0.4	0.6	0.8	1	1.2	1.4	1.6	1.8	2	2.2	2.4	2.6	2.8	3	3.2	3.4	3.6	3.8	4
Δp_{min} [kPa]				33.0	33.0	33.0	33.2	33.4	33.6	33.8	34.0	36.2	38.5	40.7	43.2	46.0	49.0	52.2	56.1	60.0	65

VPF43.200F280

280 m³/h nominal

\dot{V} [m³/h]									130	137	145	153	162	170	180	189	199	209	220	232	243	256	267	280
Dial	Min.	0.2	0.4	0.6	0.8	1	1.2	1.4	1.6	1.8	2	2.2	2.4	2.6	2.8	3	3.2	3.4	3.6	3.8	4	4	4	4
Δp_{min} [kPa]									31	32	33	35	38	41	45	49	53	57	61	65	69	73	75	78

Engineering notes


Valve	Symbols / Direction of flow VPF43..	Flow in control mode	Valve stem	
			retracts	extends
PICV	 4315Z03	variable	closes	opens



The direction of flow indicated (arrow on the valve body) is mandatory!

The valves should preferably be mounted in the return pipe where temperatures are lower and where the sealing gland is less affected by strain.

Symbol

Symbol used in catalogs and application descriptions	Symbol used in diagrams
 4315Z05	There are no standard symbols for PICVs in diagrams.

Recommendation

A strainer or dirt trap should be fitted upstream of the valve to enhance reliability and service life.

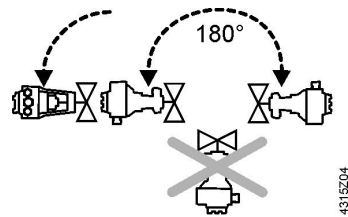
Remove dirt, welding beads etc. from valves and pipes.

Do not insulate the actuator bracket, as air circulation must be ensured!

Mounting notes

PICV and actuator can be easily assembled on site. Neither special tools nor adjustments, besides the presetting, are required. Prior to mounting the actuator, the required volumetric flow must be set. The valve is supplied with Mounting Instructions (74 319 0711 0).

Mounting positions

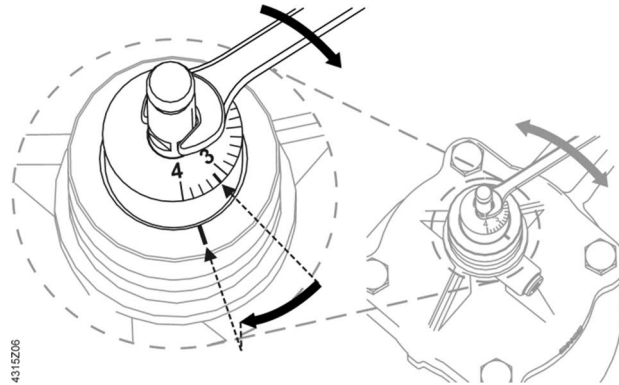


Installation notes

Presetting

It is recommended to mount the actuator before the presetting is made.

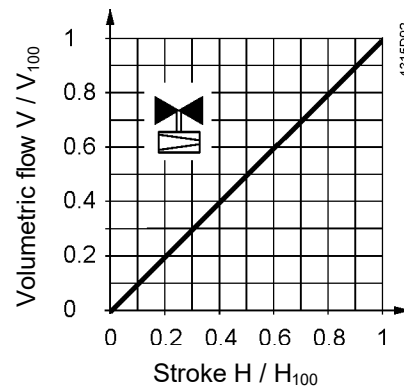
1. Mount actuator and fix valve neck coupling
2. Mount valve stem coupling and tighten slightly
3. Make presetting according to table under "Volumetric flow/dial presetting" on page 6. Do NOT adjust presetting to a dial reading lower than "0.6".
4. Tighten stem coupling



8 mm

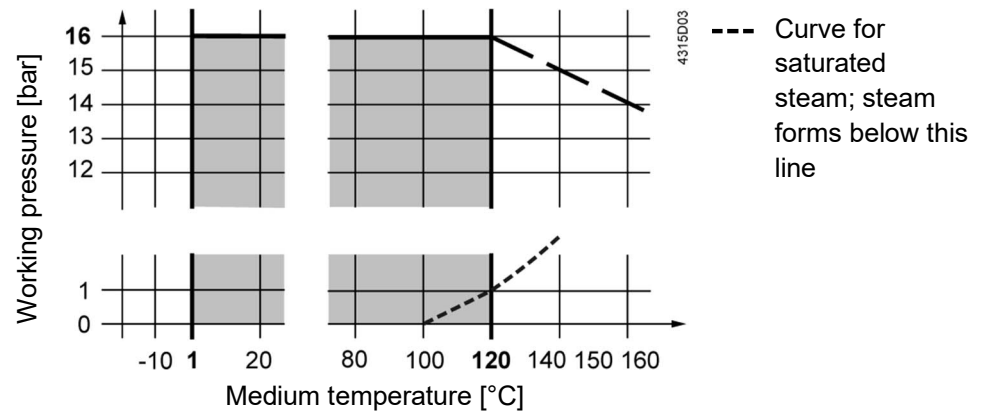
Using an open-end wrench and turn the stem with dial to the desired presetting position.

Valve characteristic



Working pressure and medium temperature

Fluids



Working pressure and medium temperature staged as per ISO 7005



Current local legislation must be observed.

Commissioning notes



The valves must be commissioned with the actuator correctly fitted. Strong pressure impacts can damage closed PICVs.



The PICVs have to be open when flushing or pressure testing the system. Strong pressure impacts can damage closed PICVs.



Differential pressure Δp_{\max} across the valve's control path is not allowed to exceed 600 kPa.

Manual control

Only possible with mounted actuator.

Maintenance notes

The VPF43.. PICVs are maintenance-free.



When performing service work on the valve or actuator:

- Switch off the pump and disconnect power supply.
- Close the shut-off valves in the piping network.
- Fully reduce pressure in the piping network and allow the pipes to cool down completely.

Remove the electrical connections only if necessary.

Sealing gland

The stem sealing gland cannot be exchanged. In case of leakage the whole valve must be replaced.

Disposal

Do not dispose of the device as household waste.

- Special handling of individual components may be mandated by law or make ecological sense.
- Observe all local and currently applicable laws and regulations.

Warranty

Application-related technical data are guaranteed only when the valves are used in connection with the Siemens actuators listed under "Equipment combinations" on page 3.

Siemens warranty is void, if used with non-Siemens actuators.

Technical data

Functional data	PN class	PN 16 as per EN 1333		
	Permissible operating pressure	1600 kPa (16 bar) as per ISO 7628 / EN 1333		
	Volumetric flow deviation	< ±10% within differential pressure range		
	Valve characteristic	Linear as per VDI/VDE 2173		
	Leakage rate	Class IV (0...0.01% of volumetric flow \dot{V}_{100}) to EN 1349		
	Operating direction	Normally open (push to close)		
	Permissible media	Low temperature hot water, medium temperature hot water, chilled water, water with antifreeze Recommendation: Water treatment to VDI 2035		
	Medium temperature	DN 50 –150	1...120 °C	
		DN 200	1...110 °C	
	Rangeability	1:100		
	Average flow accuracy		+/-10%	from ΔP_{min} – to 70kPa (DN 50-80) from ΔP_{min} – to 105kPa (DN 100-150) from ΔP_{min} – 600kPa (DN 200)
			+/- 5%	from 70-600kPa (DN 50-80) from 105-600kPa (DN 100-150)
	Nominal stroke	DN 50, 65, 80	20 mm	
DN 100, 125		40 mm		
DN 150, 200		43 mm		
Standards	Pressure Equipment Directive	PED		
	EU Conformity (CE)	CE1T4315xx ¹⁾		
	EAC conformity	Eurasia conformity		
	Pressure Equipment Directive	PED 2014/68/EU		
	Pressure Accessories	Scope: Article 1, section 1 Definitions: Article 2, section 5		
	Fluid group 2	DN 50, DN 200 ³⁾	Without CE-marking as per article 4, section 3 (sound engineering practice) ¹⁾	
		DN 65 - DN 150	Category I, module A, with CE-marking as per article 14, section 2	
Environmental compatibility	The product environmental declaration CE1E4315en ²⁾ contains data on environmentally compatible product design and assessments (RoHS compliance, materials composition, packaging, environmental benefit, disposal).			
Materials	Valve body	DN 50-80, 125	Gray cast iron GJL-250	
		DN 100, 150, 200	Nodular cast iron GJS-400	
	Stem, spring	Stainless steel		
	Trim	Brass (DZR)		
	Regulator	Stainless steel		
	Seals	EPDM		

¹⁾ Valves where PS x DN < 1000, do not require special testing and cannot carry the CE label.

²⁾ The documents can be downloaded from <http://siemens.com/bt/download>.

³⁾ Warm water temperature not greater than 110°C, do not require special testing and cannot carry the CE label.

Dimensions / weight	Dimensions	Refer to "Dimensions" on page 12
	Flange connections	To ISO 7005-2
	Pressure test points (P/T-ports)	G ¼ inch (connection) 2 mm x 40 mm (measuring tips)
	Weight	Refer to "Dimensions" on page 12

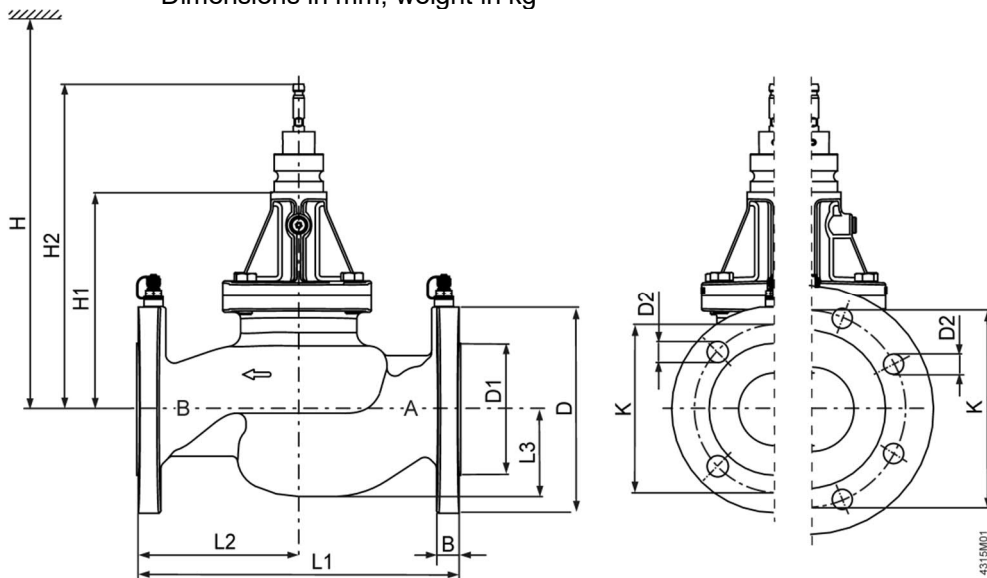
General ambient conditions	Operation	Transport	Storage	
	EN 60721-3-3	EN 60721-3-2	EN 60721-3-1	
	Environmental conditions	Class 3K5	Class 2K3	Class 1K3
	Temperature	0...55 °C	-30...65 °C	-15...50 °C
	Humidity	5...95 % r.h.	< 95 % r.h.	5...95 % r.h.

Application examples

It is recommended to use PICVs in plants with variable speed pumps. When sizing the pump, it must be made certain that the most critical branch or consumer in the system – usually the remotest from the pump – gets enough pressure (pump head).

Dimensions

Dimensions in mm, weight in kg



Product number	DN	B	Ø D	Ø D1	Ø D2	L1	L2	L3	Ø K	H1	H2	H		kg
												SAX..P ¹⁾	SAV..P ¹⁾	
VPF43..	50	16	165	99	19 (4x)	230	115	65	125	187.5	284	630	577	14
	65	17	185	118	19 (4x)	290	145	84	145	195	291,5	637	584	19.5
	80	17	200	132	19 (8x)	310	155	90.5	160	216.5	313	659	606	25
	100	20	235	156	19 (8x)	350	162	111	180	332	449	800	720	50
	125	25	270	184	19 (8x)	400	192	133	210	357	474	820	750	77
	150	26	285	211	23 (8x)	480	230	156	240	401	521	870	790	111
	200	28	380	266	23 (12x)	600	300	300	295	401	521	870	790	175

DN = Nominal size

H = Total actuator height plus minimum distance to the wall or the ceiling for mounting, connection, operation, maintenance etc.

H1 = Dimension from the pipe center to install the actuator (upper edge)

H2 = Valve in the «OPEN» position means that the valve stem is fully extended.

¹⁾ SAX..P for DN50- 80; SAV..P for DN100- 200

Revision Numbers

Product number	Valid from rev. no.	Product number	Valid from rev. no.
VPF43.50F16	..A	VPF43.50F25	..A
VPF43.65F24	..A	VPF43.65F35	..A
VPF43.80F35	..A	VPF43.80F45	..A
VPF43.100F70	..A	VPF43.100F90	..A
VPF43.125F110	..A	VPF43.125F135	..A
VPF43.150F160	..A	VPF43.150F200	..A
VPF43.200F210	..A	VPF43.200F280	..A

