



MODELS	DESCRIPTION
VSS2	Motorized ball valve, 2-way, DN 1/2"; Kvs 20 m³/h
VSS3	Motorized ball valve, 2-way, DN 3/4"; Kvs 45 m³/h
VSS4	Motorized ball valve, 2-way, DN 1"; Kvs 60 m³/h
VSS5	Motorized ball valve, 2-way, DN 1 1/4"; Kvs 100 m³/h
VSD3	Motorized ball valve, 3-way, DN 3/4"; Kvs 9,6 m³/h
VSD4	Motorized ball valve, 3-way, DN 1"; Kvs 11,3 m³/h



### APPLICATION AND USE

For use in heating, ventilation, potable water (ACS France Certification), air conditioning systems, pneumatic systems and irrigation.



Available in 2 and 3 way threaded connections, both provided with on/off actuator MVS210 and MVS410.

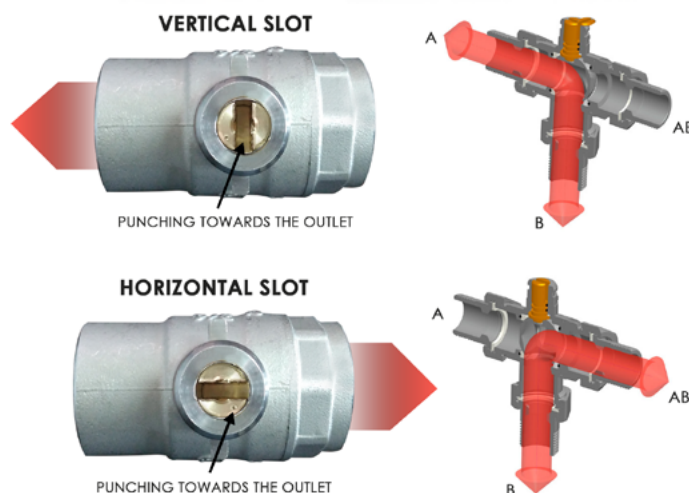
The substances admitted are belonging at the following categories:

- Water in mixtures of ethylene glycol or propylene glycol 40% max.

### OPERATION

VSD are diverting valves with the following directions of flow.

VALVE	HORIZONTAL SLOT 	VERTICAL SLOT 
2-way	open	close
3-way	open B - AB	open B - A



### TECHNICAL CHARACTERISTICS

**Construction:** PN 32  
**Materials:** Body Brass (EN-12165 CW617N)  
 Seat PTFE  
 Ball Chrome plated Brass (EN-12164 CW617N)  
**Sealing leakage:** Tight close-off  
**Connections:** UNI - ISO 228/1 threaded

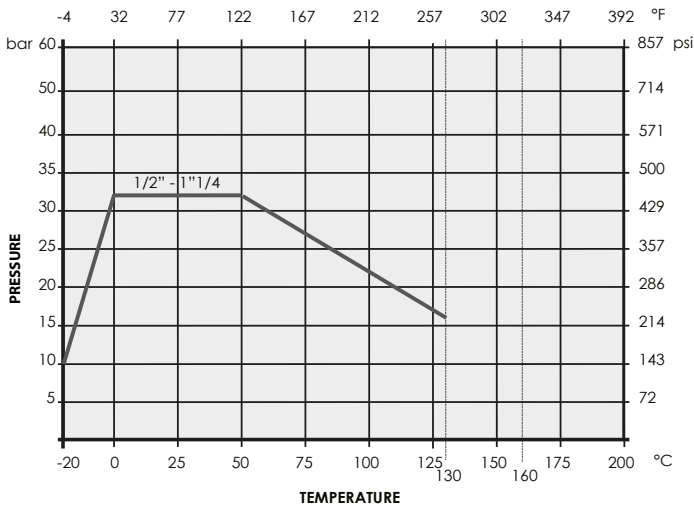
TYPE	MODELS	DN	Kvs [m³/h]	THREADED	PN	ACTUATORS	FLUID TEMP.		ΔP
							MIN	MAX	
2-way	VSS2	1/2"	20	FF	32	MVSx10 (10 Nm)	-20° C	+130° C	10 bar
	VSS3	3/4"	45	FF					
	VSS4	1"	60	FF					
	VSS5	1 1/4"	100	FF					
3-way	VSD3	3/4"	9,6	FFM					
	VSD4	1"	11,3	FFM					

**Controlli S.p.A.**  
 16010 Sant'Olcese (GE)  
 Tel. 010 73 06 1  
 Fax. 010 73 06 870/871  
[www.controlli.eu](http://www.controlli.eu)

## INSTALLATION RECOMMENDATIONS

### Operating conditions

Temperature, nominal pressure and differential pressure on the valve must be within the values specified on the table.



### Pipe Flushing

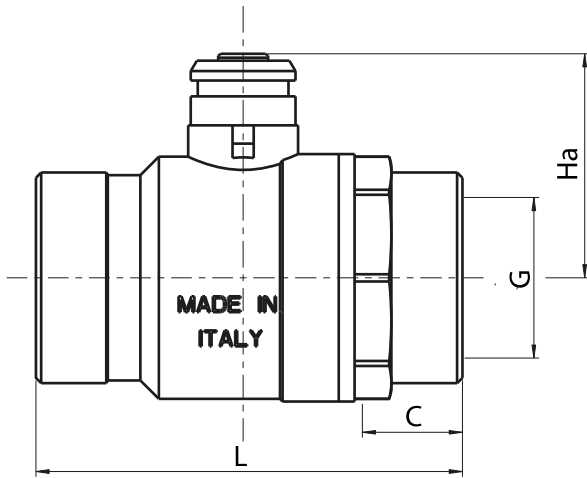
An anomalous valve flow action is caused, in almost all cases, by weld slag or foreign bodies entrapped between the valve seat and the plug, often causing damages.

To prevent such inconveniences, it is advisable to use filters upstream of the valve.

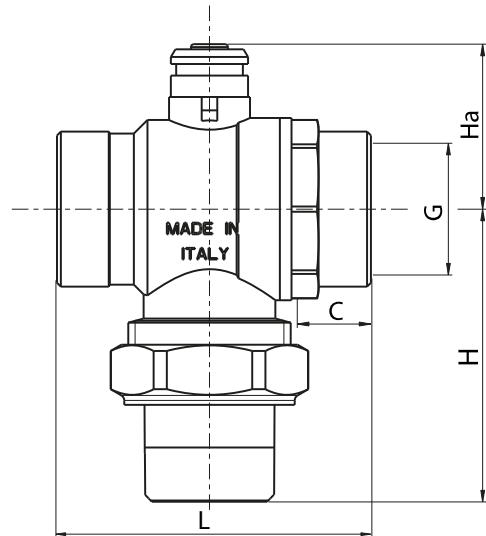
Moreover, the pipelines must be thoroughly washed by positioning the valve stem at half stroke; this operation must be performed before start-up and after a prolonged shutdown of the system.

## DIMENSIONS [mm]

VSS2 - VSS3 - VSS4 - VSS5



VSD3 - VSD4



TYPE	MODELS	DN	G	L	C	H	Ha
2-way	VSS2	1/2"	1/2"	62	13	-	35
	VSS3	3/4"	3/4"	68	15	-	39
	VSS4	1"	1"	81	17	-	43
	VSS5	1 1/4"	1 1/4"	89	18	-	48
3-way	VSD3	3/4"	3/4"	68	15	70	39
	VSD4	1"	1"	81	17	75	43

The performances stated in this sheet can be modified without any prior notice