

VSS-VSD

2-/3-way motorized ball valves ISO connection

MODEL	DESCRIPTION
VSS6	Motorized ball valve, 2-way, DN 1 ½"; Kvs 120 m³/h
VSS8	Motorized ball valve, 2-way, DN 2"; Kvs 220 m³/h
VSD5	Motorized ball valve, 3-way, DN 1 ¼"; Kvs 19,2 m³/h
VSD6	Motorized ball valve, 3-way, DN 1 ½"; Kvs 27,7 m³/h
VSD8	Motorized ball valve, 3-way, DN 2"; Kvs 57 m³/h



APPLICATION AND USE

For use in heating, ventilation, heating systems, air conditioning systems. Available in 2 and 3 way threaded connections, both provided with on/off actuator MVS216 and MVS416 using flange kit ISO 5211 F03/F05.

The substances admitted are belonging at the following categories:

- water, from -15°C to +110°C
- below 0°C only for water with antifreeze additive
- over 100°C only with additives that prevent boiling
- mixtures of ethylene glycol or propylene glycol > 20% and up to 50%

Not suitable for gas 1 and group 2, group 1 liquids (Dir. 2014/68/UE).

TECHNICAL CHARACTERISTICS

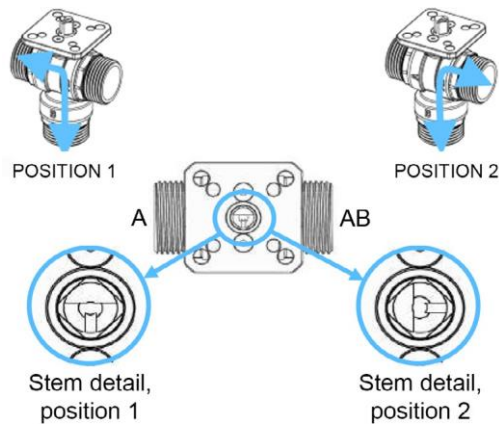
DESCRIPTION	2-WAY		3-WAY		
	VSS6	VSS8	VSD5	VSD6	VSD8
Body	PN 40				
Construction	Pmax 16 bar				
Material	Body	Brass (EN-12165 CW617N)			
	Seat	PTFE			
	Ball	Chrome plated Brass (EN-12164 CW617N)			
Sealing leakage	Tight close-off				
Connections	Female threaded				
DN	1 ½"	2"	1 ¼"	1 ½"	2"
Kvs [m³/h]	120	220	19,2	27,7	57
Threaded	FF	FF	MMM	FFF	FFF
P max	16 bar				
Actuators	MVSx16 (16 Nm)				
Fluid temperature	Min.	-15° C			
	Max.	+110° C			
ΔP	3,5 bar				

OPERATION

VSD are diverting valves with the following directions of flow.

The performances stated in this sheet can be modified without any prior notice.

VALVE	STEM POSITION 1	STEM POSITION 2
2-way	Open	Close
3-way	Open B-A	Open B-AB



INSTALLATION RECOMMENDATIONS

Operating conditions

Temperature, nominal pressure and differential pressure on the valve must be within in the specified value.

Pipe flushing

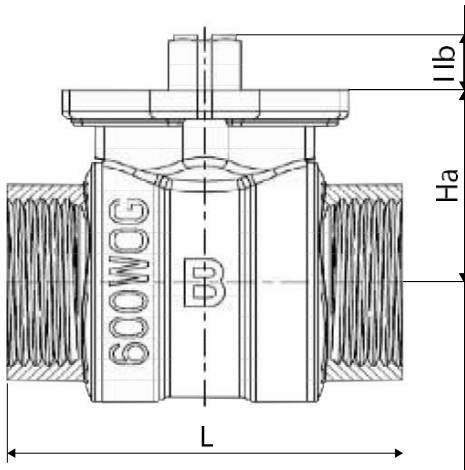
An anomalous valve flow action is caused, in almost all cases, by weld slag or foreign bodies entrapped between the valve seat and the plug, often causing damages.

To prevent such inconveniences, it is advisable to use filters upstream of the valve.

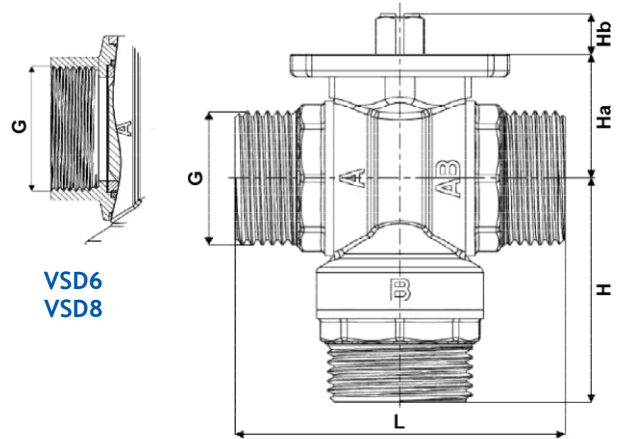
Moreover, the pipelines must be thoroughly washed by positioning the valve stem at half stroke; this operation must be performed before start-up and after a prolonged shutdown of the system.

DIMENSIONS [mm]

VSS6 - VSS8



VSD5



TYPE	MODELS	DN	G	L	H	Ha	Hb
2-way	VSS6	1 ½"	1 ½"	96	-	52,8	11
	VSS8	2"	2"	113	-	60,5	11
3-way	VSD5	1 ¼"	1 ½"	102	76,8	39,8	10
	VSD6	1 ½"	1 ½"	96	77	52,8	11
	VSD8	2"	2"	113	92,3	60,5	11