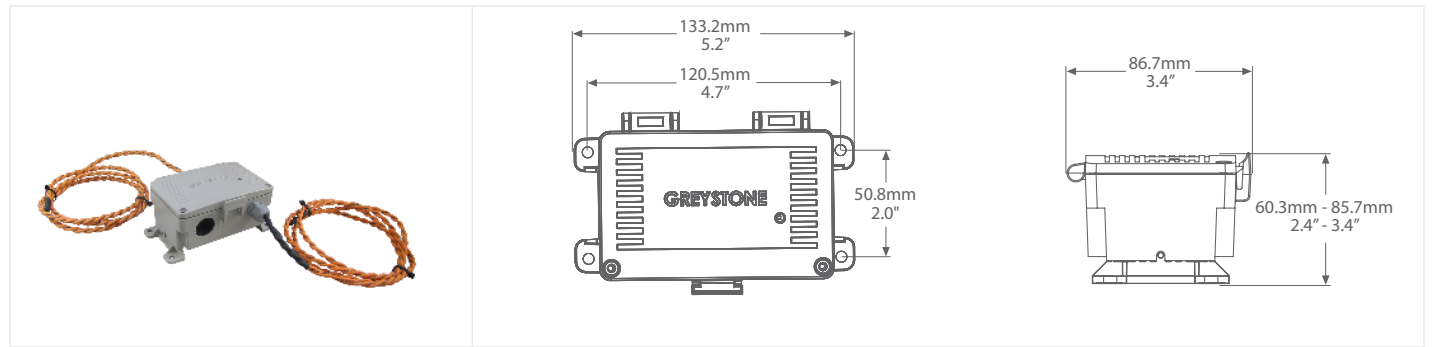




## WATER DETECTOR, DUAL CHANNEL, CONDUCTIVITY CABLE



### WLD2C SERIES

### PRODUCT DESCRIPTION

The dual channel conductivity cable water detector is used to detect the presence of water or conductive liquids. It features two sensing cables, each with an independent relay output and is designed to signal alarms if one or more of three conditions are met: water is detected, power is lost to the unit, or if there is an internal failure.

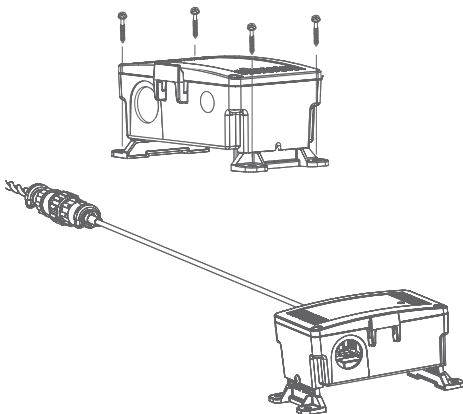
The dual channel water detector features two independent conductivity cables that are available in several lengths. An optional leader cable is also available in several lengths.

It is housed in an IP65 rated enclosure with height adjustable mounting legs. A tri-color LED provides visual status indication.

### TYPICAL INSTALLATION

**For complete installation and wiring details, please refer to the product installation instructions.**

The water detector enclosure can be mounted directly to the floor of the area requiring monitoring or on a nearby wall.



### SPECIFICATIONS

POWER SUPPLY	12 - 27 Vac/dc
SUPPLY CURRENT	125 mA max @ 24 Vac
ALARM OUTPUT	2 Form C relay(s), NO/NC, rated 2 Amps @ 30 VAC/VDC, 0.5 Amps @ 120 VAC (resistive load)
VISUAL INDICATION	Tri-color LED - Green, Yellow, Red
OPERATING TEMPERATURE	0 to 50°C (32 to 122°F)
ENCLOSURE	ABS with hinged and gasket cover, IP65
DIMENSIONS	133.2mm L x 86.7mm W x 60.3-85.7mm H (5.2" x 3.4" x 2.4" - 3.4")
OPTIONAL LEADER CABLE	FT-6 Plenum rated
APPROVALS	CE, RoHS
COUNTRY OF ORIGIN	Canada

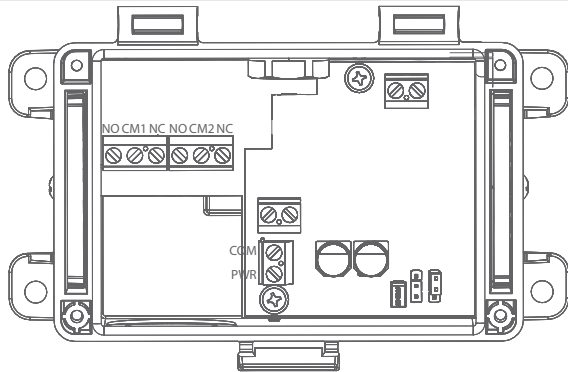
### APPLICATION

The following chart gives examples of what types of fluids the WLD can and cannot be used to detect.

FLUIDS THAT CAN BE DETECTED	FLUIDS THAT CAN'T BE DETECTED
City water	Pure water
Sea water	Gasoline
Copper sulfate solution	Oil
Weak acid	Brake fluid
Weak base	Alcohol
Household ammonia	Ethylene glycol
Water & glycol mixture	Parafin
Wet soil	Dry soil
Coffee	Whiskey



## WIRING INFORMATION



TERMINAL	FUNCTION
NO	Normally Open Contact
CM1	COMMON
NC	Normally Closed Contact
NO	Normally Open Contact
CM2	COMMON
NC	Normally Closed Contact
COM	COMMON
PWR	+24 VAC/DC

## ORDERING

PRODUCT	WLD2C	Water Detector, 2 Channel, Conductivity Cable
LEADER CABLE, CHANNEL 1	00	No Leader Cable
	02	2m (6.5')
	05	5m (16.4')
	10	10m (32.8')
CONDUCTIVITY CABLE, CHANNEL 1	C002	2m (6.5')
	C003	3m (9.8')
	C005	5m (16.4')
	C010	10m (32.8')
	C015	15m (49.2')
	C020	20m (65.6')
	C050	50m (164')
LEADER CABLE, CHANNEL 2	L00	No Leader Cable
	L02	2m (6.5')
	L05	5m (16.4')
	L10	10m (32.8')
CONDUCTIVITY CABLE, CHANNEL 2	C002	2m (6.5')
	C003	3m (9.8')
	C005	5m (16.4')
	C010	10m (32.8')
	C015	15m (49.2')
	C020	20m (65.6')
	C050	50m (164')

## PART NUMBER

WLD2C

NOTE: Greystone Energy Systems, Inc. reserves the right to make design modifications without prior notice.