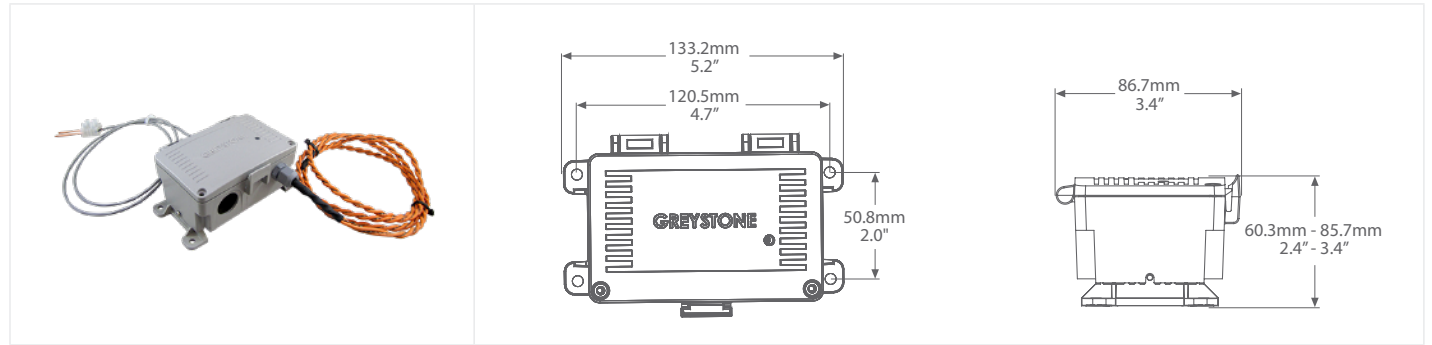




## WATER DETECTOR, DUAL CHANNEL, REMOTE SPOT



### WLD2R SERIES

#### PRODUCT DESCRIPTION

The dual channel remote spot water detector is used to detect the presence of water or conductive liquids. It features two sensing points, each with an independent relay output and is designed to signal alarms if one or more of three conditions are met: water is detected, power is lost to the unit, or if there is an internal failure.

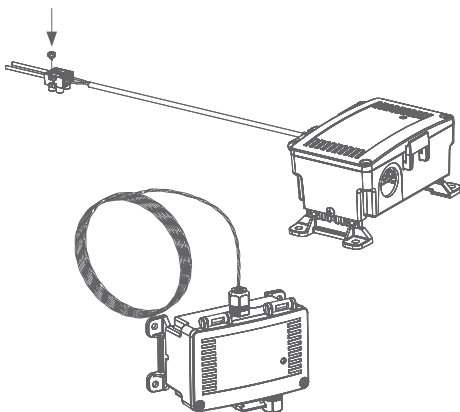
The dual channel remote spot water detector features remote spot detection on channel 1 with remote sensing probes and cable that is available in various lengths. On Channel 2, can be selected as either a secondary remote spot or with conductivity cable which is available in several lengths.

It is housed in an IP65 rated enclosure with height adjustable mounting legs. A tri-color LED provides visual status indication.

#### TYPICAL INSTALLATION

**For complete installation and wiring details, please refer to the product installation instructions.**

The water detector enclosure can be mounted directly to the floor of the area requiring monitoring or on a nearby wall.



#### SPECIFICATIONS

POWER SUPPLY	12 - 27 Vac/dc
SUPPLY CURRENT	125 mA max @ 24 Vac
ALARM OUTPUT	1 or 2 Form C relay(s), NO/NC, rated 2 Amps @ 30 VAC/VDC, 0.5 Amps @ 120 VAC (resistive load)
VISUAL INDICATION	Bi-color LED - Green, Red
OPERATING TEMPERATURE	0 to 50°C (32 to 122°F)
ENCLOSURE	ABS with hinged and gasket cover, IP65
DIMENSIONS	133.2mm L x 86.7mm W x 60.3-85.7mm H (5.2" x 3.4" x 2.4"- 3.4")
REMOTE/LEADER CABLE TYPE	FT-6 Plenum rated
APPROVALS	CE, RoHS
COUNTRY OF ORIGIN	Canada

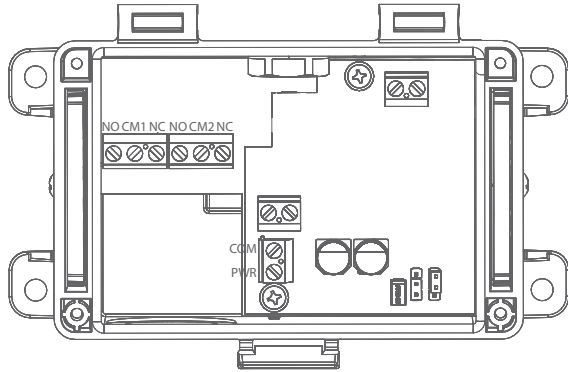
#### APPLICATION

The following chart gives examples of what types of fluids the WLD can and cannot be used to detect.

FLUIDS THAT CAN BE DETECTED	FLUIDS THAT CAN'T BE DETECTED
City water	Pure water
Sea water	Gasoline
Copper sulfate solution	Oil
Weak acid	Brake fluid
Weak base	Alcohol
Household ammonia	Ethylene glycol
Water & glycol mixture	Paraffin
Wet soil	Dry soil
Coffee	Whiskey



## WIRING INFORMATION



TERMINAL	FUNCTION
NO	Normally Open Contact
CM1	COMMON
NC	Normally Closed Contact
NO	Normally Open Contact
CM2	COMMON
NC	Normally Closed Contact
COM	COMMON
PWR	+24 VAC/DC

## ORDERING

PRODUCT	WLD2R	Water Detector, Dual Channel, Remote Spot
REMOTE CABLE LENGTH	00 02 05 10	No Cable (Remote Sensor Probes Only) 2 m (6.5') 5 m (16.4') 10 m (32.8')
CHANNEL 2	R C	Remote Spot Conductivity
REMOTE CABLE LENGTH (REMOTE SPOT) LEADER CABLE LENGTH (CONDUCTIVITY)	00 02 05 10	No Cable (Remote Spot includes Sensing Probes Only) 2m (6.5') 5m (16.4') 10m (32.8')
CONDUCTIVITY CABLE, CHANNEL 2	C000 C002 C003 C005 C010 C015 C020 C050	Select with Remote Spot option 2m (6.5') 3m (9.8') 5m (16.4') 10m (32.8') 15m (49.2') 20m (65.6') 50m (164')

## PART NUMBER

WLD2C

NOTE: Greystone Energy Systems, Inc. reserves the right to make design modifications without prior notice.