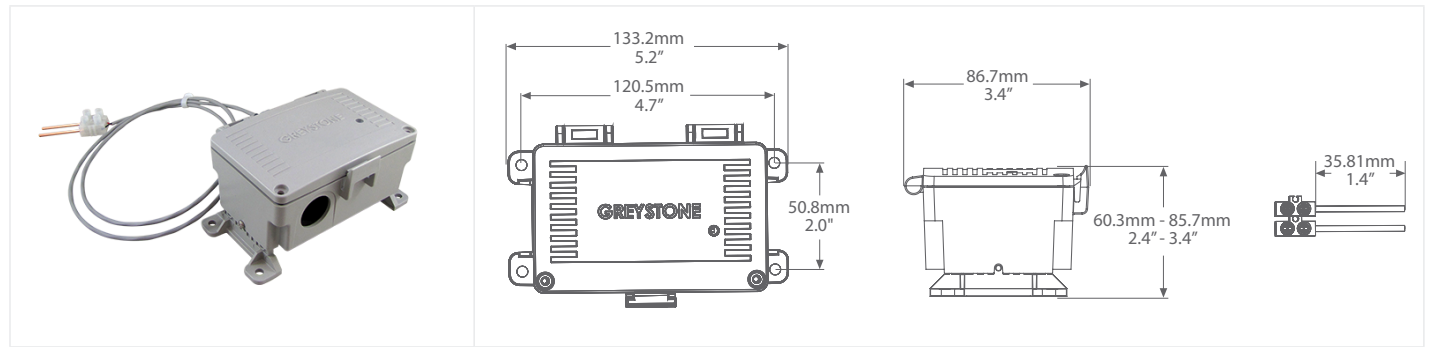




WATER DETECTOR, REMOTE SPOT



WLDR SERIES

PRODUCT DESCRIPTION

The remote spot water detector is used to detect the presence of water or conductive liquids. It is available with either one or two relay outputs and is designed to signal alarms if one or more of three conditions are met: water is detected, power is lost to the unit, or if there is an internal failure.

The remote spot water detector is housed in an IP65 rated enclosure with remote sensing probes and cable that is available in various lengths. It features height adjustable mounting legs that include 5 preset mounting heights. An LED provides visual status indication.

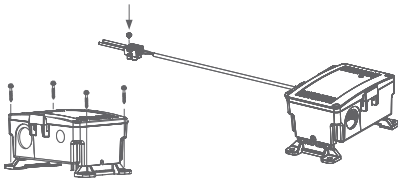
SPECIFICATIONS

POWER SUPPLY	12 - 27 Vac/dc
SUPPLY CURRENT	125 mA max @ 24 Vac
ALARM OUTPUTS	1 or 2 Form C relay(s), NO/NC, rated 2 Amps @ 30 VAC/VDC, 0.5 Amps @ 120 VAC (resistive load)
VISUAL INDICATION	Bi-color LED - Green, Red
OPERATING TEMPERATURE	0 to 50°C (32 to 122°F)
ENCLOSURE	ABS with hinged and gasket cover, IP65 (NEMA 4X)
DIMENSIONS	133.2mm L x 86.7mm W x 60.3-85.7mm H (5.2" x 3.4" x 2.4"- 3.4")
CABLE TYPE	FT-6 Plenum rated
APPROVALS	CE, RoHS
COUNTRY OF ORIGIN	Canada

TYPICAL INSTALLATION

For complete installation and wiring details, please refer to the product installation instructions.

The water detector enclosure can be mounted directly to the floor of the area requiring monitoring or on a nearby wall.



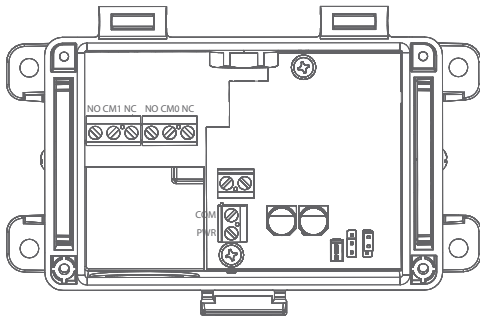
APPLICATION

The following chart gives examples of what types of fluids the WLD can and cannot be used to detect.

FLUIDS THAT CAN BE DETECTED	FLUIDS THAT CAN'T BE DETECTED
City water	Pure water
Sea water	Gasoline
Copper sulfate solution	Oil
Weak acid	Brake fluid
Weak base	Alcohol
Household ammonia	Ethylene glycol
Water & glycol mixture	Parafin
Wet soil	Dry soil
Coffee	Whiskey



WIRING INFORMATION



TERMINAL	FUNCTION
NO	Normally Open Contact
CM1	COMMON
NC	Normally Closed Contact
NO	Normally Open Contact
CM2	COMMON
NC	Normally Closed Contact
COM	COMMON
PWR	+24 VAC/DC

*Terminals only present if option is ordered

ORDERING

PRODUCT	WLDR	Water Detector, Remote Spot
RELAY	1	1 Relay
	2	2 Relay
REMOTE CABLE LENGTH	00	No Cable (Remote Sensor Probes Only)
	02	2m (6.5')
	05	5m (16.4')
	10	10m (32.8')

PART NUMBER

WLDR

NOTE: Greystone Energy Systems, Inc. reserves the right to make design modifications without prior notice.