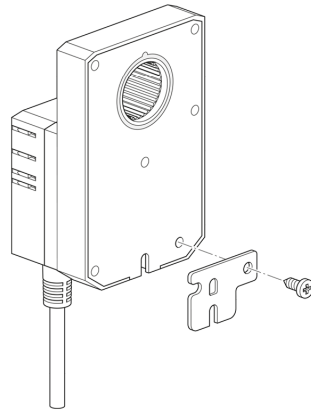


**Base plate extension**

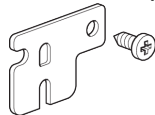
- Base plate extension
- from NM..A to NM..
- from LMQ..A to NMQB..
- incl. 1 screw
- Galvanised steel

**Technical data**

<b>Weight</b>	Weight	0.021 kg
---------------	--------	----------

**Product features**

<b>Used materials</b>	Galvanised steel
<b>Application</b>	Suitable for LMQ..A, NM..A, NMC..A

**Dimensions****Dimensional drawings**