

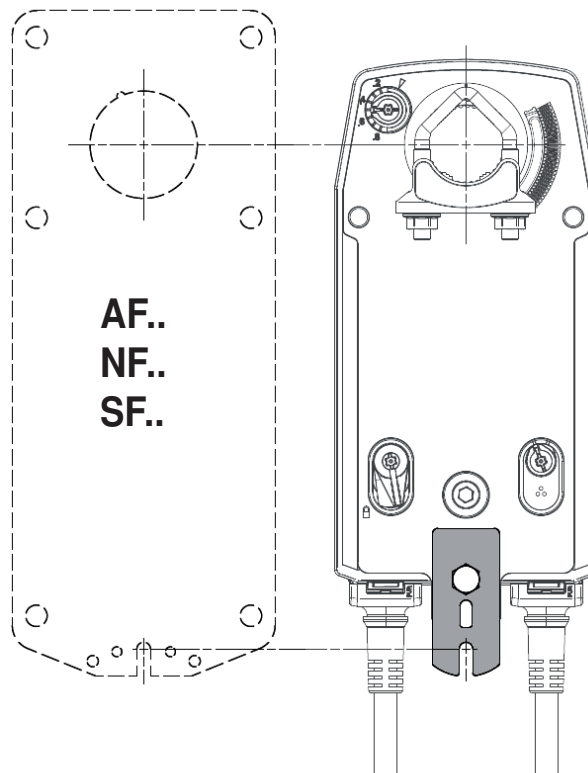
- Extension for ground plate
- for NFA.. / SF..A to NF../ AF..
 - incl. 1 screw and 1 nut

**Technical data**

Weight	Weight	0.045 kg
--------	--------	----------

Product features

Used materials	Galvanised steel
Application	Suitable for NF..A, SF..A



Product features

Application

