

T-piece



Type overview

Type	DN	PN
ZD7100	100	16
ZD7125	125	16
ZD7150	150	16
ZD7200	200	16
ZD7250	250	16
ZD7300	300	16

Technical data

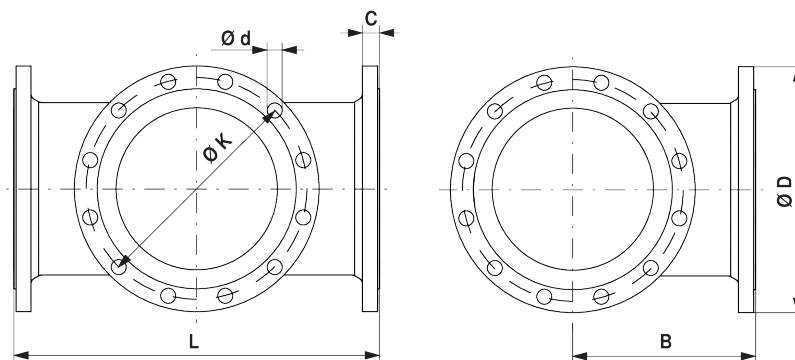
Functional data	Fluid	Cold and warm water, water with glycol up to max. 50% vol.
	Pipe connection	Flange PN 16 according to ISO 7005-2
Materials	Valve body	EN-GJS-400-15 (GGG 40)
	Body finish	matt black body finish

General notes

Delivery notes Mounting screws and washers for mounting the butterfly valves to the T-piece are included in the scope of delivery for ZD7..

Dimensions

Dimensional drawings



Type	DN	L [mm]	B [mm]	C [mm]	D [mm]	d [mm]	K [mm]	kg
ZD7100	100	360	180	21	220	8 x 19	180	23
ZD7125	125	400	200	23	250	8 x 19	210	32
ZD7150	150	440	220	26	285	8 x 23	240	38
ZD7200	200	520	260	30	340	12 x 23	295	59
ZD7250	250	600	300	32	400	12 x 28	355	84
ZD7300	300	680	340	32	455	12 x 28	410	109