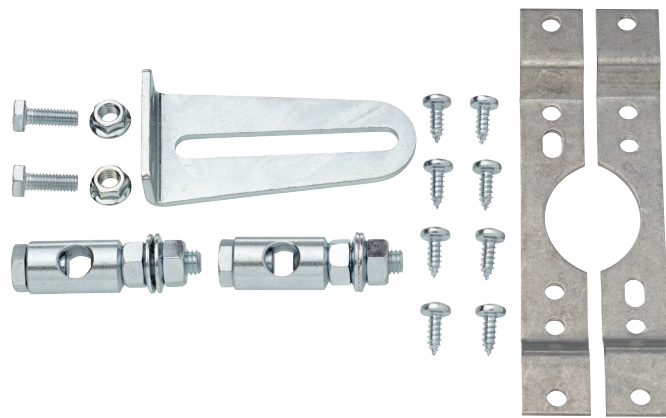


Mounting kit for linkage operation SM..A

- for flat installation
- 2 fastening elements
- 2 ball joint KG10A for round bar linkage with Ø 10 mm
- 1 crank arm
- 10 screws and 2 nuts



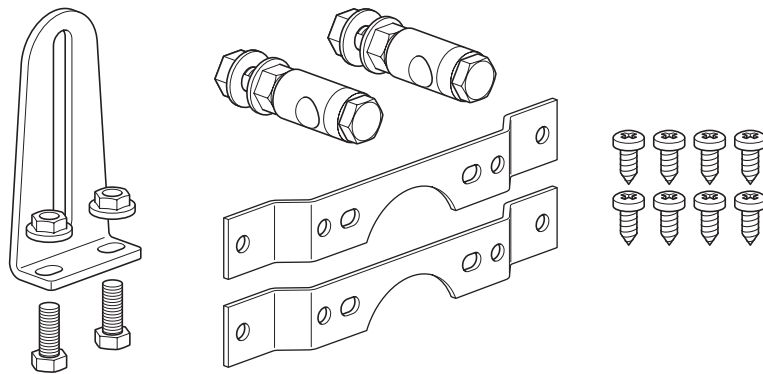
Technical data

Weight	Weight	0.30 kg
	Packaging size	Single-pack

Product features

Used materials Galvanised steel

Application Suitable for NKQ..A, NMQ..A, SM..A, SMC..A, SMD..A, SMQ..A



Dimensions [mm]

Dimensional drawings

